

INSTRUCTION MANUAL

Electric Pallet Truck

PTE15Q-A



WARNING

Do not use the pallet truck before reading and understanding these operating instructions.

NOTE:

- **Please check the designation of your present type at the last page of this document as well as on the ID-plate.**
- **Keep for future reference.**

Version 08/2021

PTE15Q-A -SMS-001-EN

FOREWORD

Before operating the truck, read this ORIGINAL INSTRUCTION MANUAL carefully and understand the usage of the truck completely. Improper operation could create danger.

This manual describes the usage of different electric pallet trucks. When operating and servicing the truck, make sure, that it applies to your type.

Keep this manual for future reference. If this or the warning/ caution labels are damaged or get lost, please contact your local dealer for replacement.

This truck complies with the requirements according to EN 12895 (Industrial trucks- electromagnetic compatibility), EN 12053 (Safety of industrial trucks- test methods for measuring noise emissions), assumed the truck is used according to the described purpose.

ATTENTION:

- Environmentally hazardous waste, such as batteries, oil and electronics, will have a negative effect on the environment, or health, if handled incorrectly.
- The waste packages should be sorted and put into solid dustbins according to the materials and be collected disposal by local special environment protection bureau. To avoid pollution, it's forbidden to throw away the wastes randomly.
- To avoid leaking during the use of the products, the user should prepare some absorbable materials (scraps of wooden or dry duster cloth) to absorb the leaking oil in time. To avoid second pollution to the environment, the used absorbable materials should be handed in to special departments in terms of local authorities.
- Our products are subject to ongoing developments. Because this manual is only for the purpose of operating /servicing the pallet truck, therefore please have understanding, that there is no guarantee out of particular features out of this manual.



NOTE: In this manual, the left symbol indicates warning and danger, which may lead to death or serious injury if not followed.

Copyright

The copyright remains with the company, mentioned on the CE- certificate at the end of this document or, if sold within the USA, with the company, mentioned on the company sticker.

TABLE OF CONTENTS

1. CORRECT APPLICATION.....	4
2. DESCRIPTION OF THE PALLET TRUCK.....	5
a. Overview of the main components.....	5
b. Technical data.....	6
c. Description of the safety devices and warning labels (Europe and other, excepting USA).....	8
d. Identification plate.....	9
3. WARNINGS, RESIDUAL RISK AND SAFETY INSTRUCTIONS.....	9
4. COMMISSIONING, TRANSPORTING, DECOMMISSIONING.....	10
a. Commissioning.....	10
b. Hoisting/ transportation.....	10
c. Decommissioning.....	11
5. DAILY INSPECTION.....	11
6. OPERATING INSTRUCTIONS.....	12
a. Parking.....	12
b. Lifting.....	12
c. Lowering.....	12
d. Travelling.....	13
e. Steering.....	13
f. Braking.....	14
g. Malfunctions.....	14
h. Emergency.....	14
7. BATTERY SAFETY, CHARGING AND REPLACEMENT.....	14
a. Safety Instructions.....	15
b. Matters requiring attention.....	16
c. Replacement.....	16
d. Tiller panel.....	17
e. Charging.....	17
8. REGULAR MAINTENANCE.....	19
a. Maintenance checklist.....	19
b. Lubricating points.....	21
c. Check and refill hydraulic oil.....	21
d. Checking electrical fuses.....	22
9. TROUBLE SHOOTING.....	22
10. WIRING/ CIRCUIT DIAGRAM.....	24
a. Electrical circuit diagram.....	24
b. Hydraulic circuit diagram.....	25
11. SPECIALIZED STIPULATIONS FOR THE US- AMERICAN MARKET.....	26
a. Foreword/ Compliance.....	26
b. Identification plate.....	27

c. Description warning labels (only US- market)..... 28
d. Technical data for US market..... 29
12. DECLARATION OF CONFORMITY (valid, if sold within EU)..... 32

1. CORRECT APPLICATION

It is only allowed to use this electric pallet truck according to this instruction handbook.

The trucks described in this handbook are self-propelled electric power pallet trucks. The trucks are designed to lift, lower and transport palletized loads.

A wrong usage can cause human injuries or can damage equipment.

The operator/ the operating company has to ensure the correct usage and has to ensure, that this pallet truck is used only by staff, which is trained and authorized to use this truck.

The pallet truck has to be used on substantially firm, smooth, prepared, level and adequate surfaces. The truck is intended to be used for indoor applications with ambient temperatures between +5°C and +40°C and for various transportation applications without crossing permanent obstacles or potholes. The work on ramps is allowed if ramp is not exceeding the allowed angle. While operating, the load must be placed approximately on the longitudinal center plane of the truck.

Lifting or transporting people is forbidden.

If used on tail lifts or loading ramps, please ensure that these are used correctly according to the operating instructions.

The capacity is marked on capacity sticker as well on the Identification plate. The operator has to consider the warnings and safety instructions.

Operating lighting must be minimum 50 Lux.

Modification

No modifications or alterations to this pallet truck which may affect, for example, capacity, stability or safety requirements of the truck, shall be made without the prior written approval of the original truck manufacturer, its authorized representative, or a successor thereof. This includes changes affecting, for example braking, steering, visibility and the addition of removable attachments. When the manufacturer or its successor approve a modification or alteration, they shall also make and approve appropriate changes to capacity plate, decals, tags and operation and maintenance handbooks.

By not observing these instructions, the warranty becomes void.

2. DESCRIPTION OF THE PALLET TRUCK

a. Overview of the main components

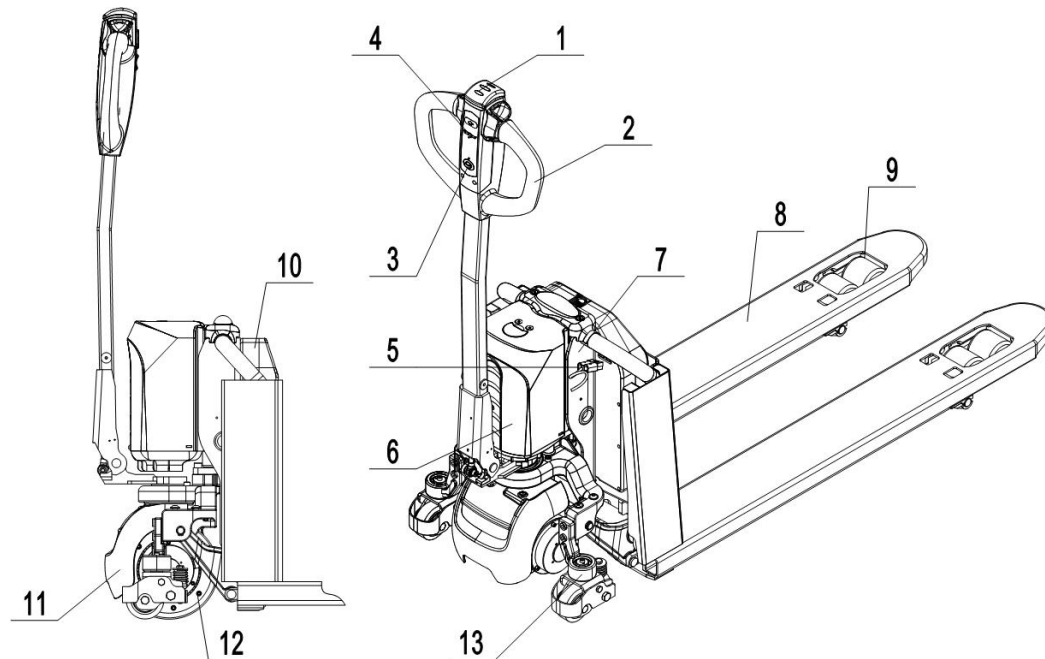


Fig. 1: Overview of the main components

- | | |
|---------------------------------|----------------------------|
| 1. Safety (belly) button | 8. Fork |
| 2. Tiller | 9. Load roller |
| 3. Magnetic lock | 10. Battery |
| 4. Discharge charging indicator | 11. Apron |
| 5. Battery connector plug | 12. Drive unit |
| 6. Plastic cover | 13. Side roller (optional) |
| 7. Chassis | |

b. Technical data

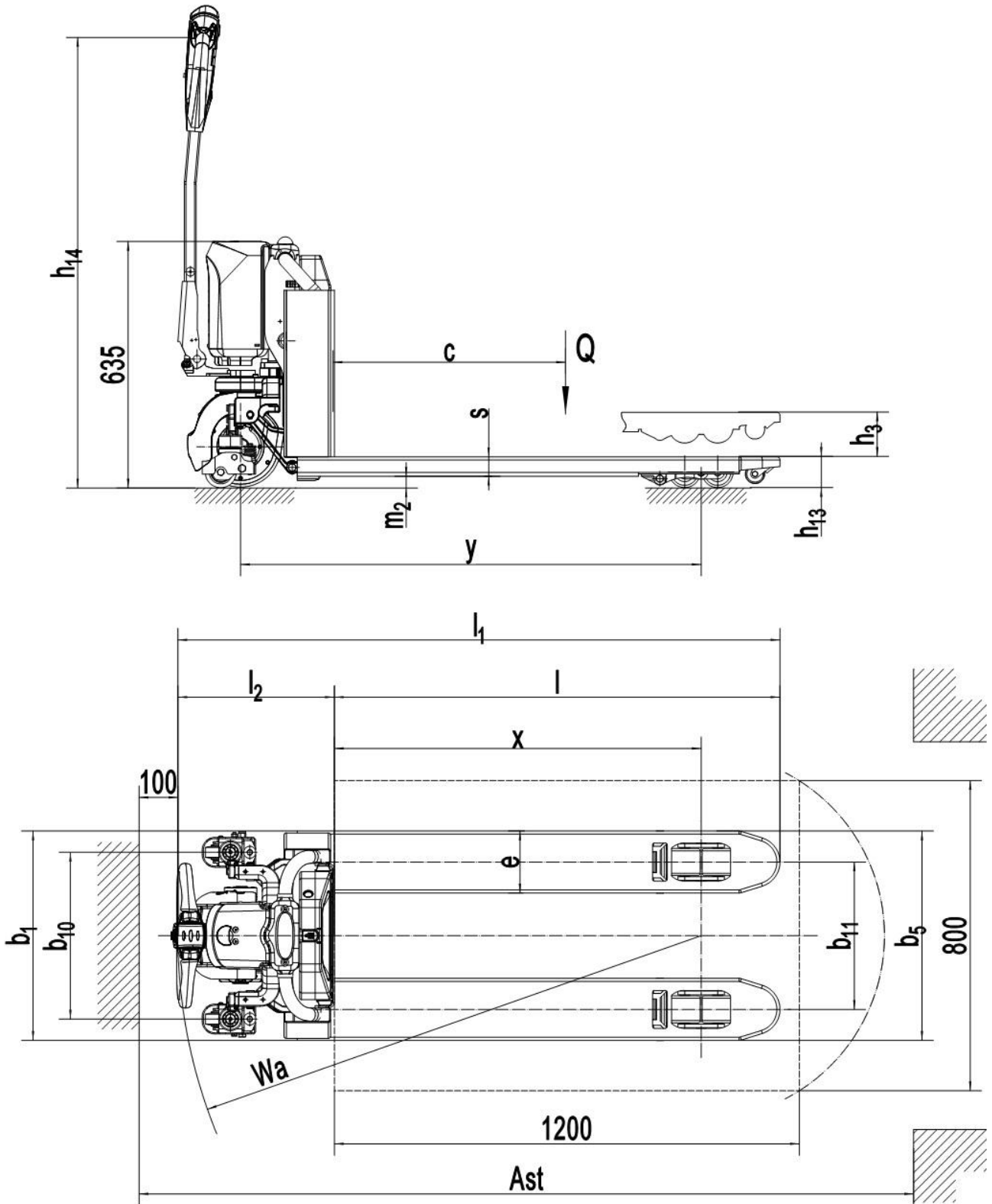


Fig. 2: Technical data

Table 1: Main technical data for standard version

		Type sheet for industrial truck acc. to VDI 2198			
Distinguishing mark	1.2	Manufacturer's type designation		PTE15Q-A	
	1.3	Drive		Electric	
	1.4	Operator type		Pedestrian	
	1.5	Load Capacity / rated load	Q (t)	1.5	
	1.6	Load centre distance	c (mm)	600	
	1.8	Load distance ,centre of drive axle to fork	x (mm)	947	
	1.9	Wheelbase	y (mm)	1189	
Weight	2.1	Service weight	kg	127	131
	2.2	Axle loading, laden front/rear	kg	626 / 1001	629 / 1002
	2.3	Axle loading, unladen front/rear	kg	99 / 28	102 / 29
Tyres, chassis	3.1	Tires		Polyurethane (PU)	
	3.2	Tire size,front	∅ x w (mm)	∅ 210×75	
	3.3	Tire size,rear	∅ x w (mm)	∅ 80×70(∅ 80×93)	
	3.4	Additional wheels(dimensions)	∅ x w (mm)	-/∅ 80×30	
	3.5	Wheels,number front/rear(x=driven wheels)		(1x/ 4) 0r 1x +2/ 2(1x +2/ 4)	
	3.6	Tread, front	b ₁₀ (mm)	-/430	
	3.7	Tread, rear	b ₁₁ (mm)	380	525
Dimensions	4.4	Lift	h ₃ (mm)	115	
	4.9	Height of tiller in drive position min./ max.	h ₁₄ (mm)	655 / 1160	
	4.15	Height, lowered	h ₁₃ (mm)	80	
	4.19	Overall length	l ₁ (mm)	1543	
	4.20	Length to face of forks	l ₂ (mm)	393	
	4.21	Overall width	b ₁ (mm)	540	685
	4.22	Fork dimensions	s/e/l (mm)	50 / 160 / 1150	
	4.25	Width Across Forks	b ₅ (mm)	540	685
	4.32	Ground clearance, centre of wheelbase	m ₂ (mm)	30	
	4.34	Aisle width for pallets800X1200 lengthways (200mm safe distance)	Ast (mm)	2013	
	4.35	Turning radius	Wa (mm)	1340	
Performance	5.1	Travel speed, laden/ unladen	km/h	4.3/4.9	
	5.2	Lift speed, laden/ unladen	m/s	0.015/0.022	
	5.3	Lowering speed, laden/ unladen	m/s	0.05 / 0.026	
	5.8	Max. gradeability, laden/ unladen	%	6 / 16	
	5.10	Service brake		Electromagnetic	
Electric- engine	6.1	Drive motor rating S2 60min	kW	0.75	
	6.2	Lift motor rating at S3 10%	kW	0.50	
	6.3	Battery acc. to DIN 43531/ 35/ 36 A, B, C, no		No	
	6.4	Battery voltage, nominal capacity K5	V / Ah	24 / 20	
	6.5	Battery weight	kg	6.5	
	6.6	Energy consumption acc. to VDI cycle	kWh/h	0.25	
Additio n data	8.1	Type of drive control		DC speed Control	

c. Description of the safety devices and warning labels (Europe and other, excepting USA)

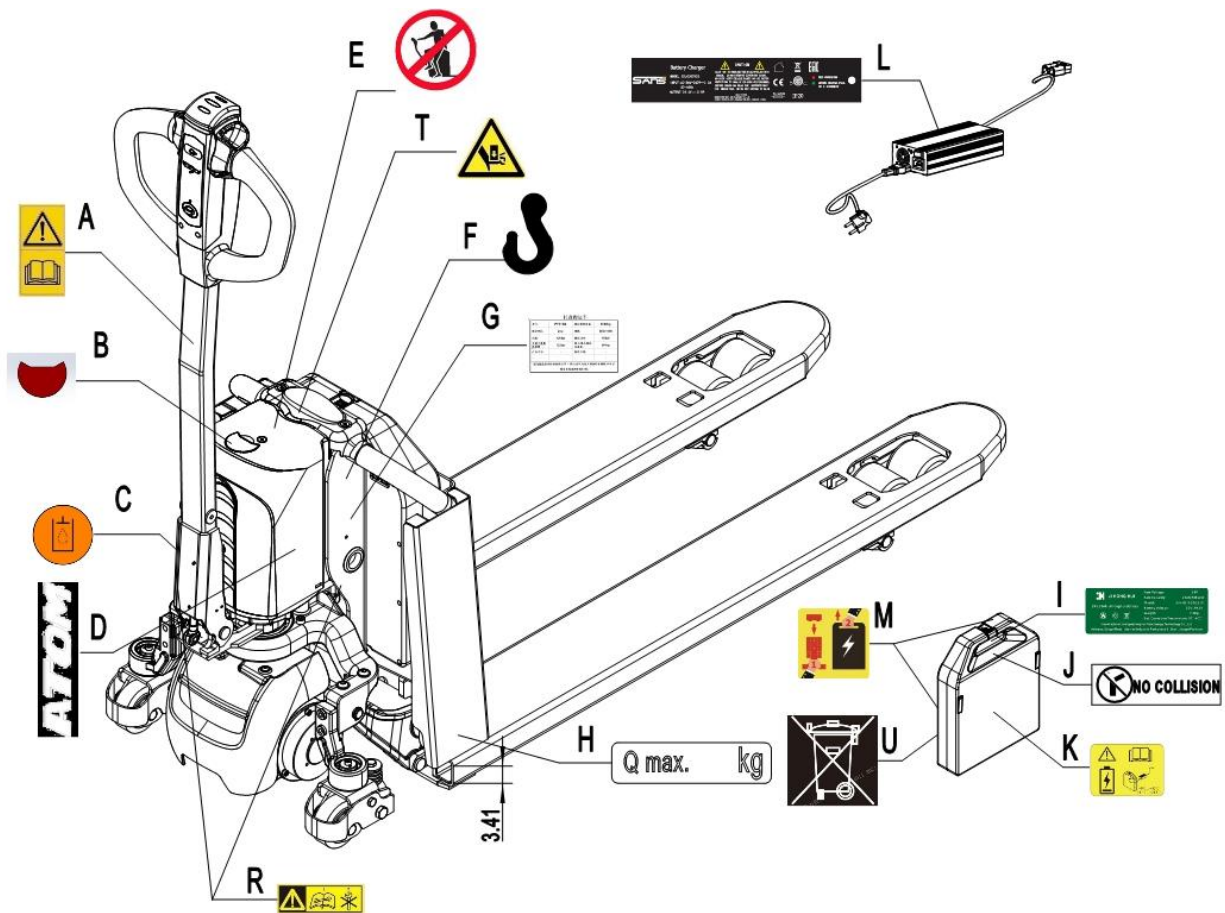


Fig. 3: Safety and warning labels

- A Sticker to observe and follow this instruction
- B Decal on motor cover
- C Oil filling decal
- D Model sticker (ATOM)
- E “No passengers” decal
- F Crane hook label
- G Identification plate (ID-plate)
- H Capacity label
- I Battery ID plate
- J No collision sticker
- K Battery warning sticker
- L Charger ID plate
- M Warning sticker (operation steps)
- R Sticker to read and follow maintenance manual
- T Warning sticker (hands pinching)
- U Sticker (do not discard the label)

The truck is equipped with a battery connector plug (5), which stops all lifting-, lowering-, driving- functions and engages the fail-safe electromagnetic brake when it is pulled and disconnected. The truck can be operated after checking the controller functions and connecting the battery connector plug (5). Before operating, insert the magnetic lock (3) to start the truck.

To prevent unauthorized access, remove the magnetic lock (3).

The truck is equipped with a safety (belly) button (1) which switches the driving function away from the operator, if the truck travels towards the operator and the tiller is activated in the tillers operating zone. Follow also the instructions given on the labels and decals. Replace the label and decals in time if they are damaged or missing.

d. Identification plate

Pallet Truck				
Type	xxxx	Rated capacity	xxxx	kg
Rated voltage	xx V	Service weight without battery	xxxx	kg
Battery weight maximum	xxx kg	Battery weight minimum	xxx	kg
Net weight (without load and battery)	xxx kg	Lift height maximum	xxxx	mm
Serial number	XXXXXXXXXX	Equipment code	XXXXXXXXXX	
Manufacturing Name XXXXXXXXXXXXXXXXXXXX Manufacturing Address XXXXXXXXXXXXXXXXXXXX				

Fig. 4: Identification plate

Check the ID plate taped on the truck for contents and type.

3. WARNINGS, RESIDUAL RISK AND SAFETY INSTRUCTIONS



DO NOT

- Put foot or hand under or into the lifting mechanism.
- Allow other person than the operator to stand in front of or behind the truck when it is moving or lifting/lowering.
- Overload the truck.
- Put foot in front of the wheels, injury could result.
- Lift people. People could fall down and suffer severe injury.
- Push or pull loads.
- Side or end load. Load must be distributed evenly on the forks.
- Use the truck with unstable or unbalanced load.

- Use truck without manufacturer's instructions manual.
- Lifted loads could become unstable at wind forces. In the case of wind forces do not lift the load if there is any influence to the stability.

Watch difference in floor levels when driving. Load could fall down or the truck could get uncontrollable.

Keep watching the condition of load. Stop operating the truck if load becomes unstable.

Brake the truck and activate the battery connector plug (5) by pulling when sliding load on or off the truck. If the truck has any malfunctions, follow instructions in chapter 10.

Practice maintenance work according to regular inspection. This truck is not designed to be water resistant. Use the truck under dry condition. Prolonged continuous operation might cause damage of the power pack. Stop operation if temperature of hydraulic oil is too high.



- When operating the electric pallet truck, the operator has to wear safety shoes.
- The truck is intended to be used for indoor applications with ambient temperatures between +5°C and + 40°C.
- The operating lighting must be minimum 50 Lux.
- To prevent unintended sudden movements when not operating the truck (i.e. from another person, etc.), remove the magnetic lock (3).

4. COMMISSIONING, TRANSPORTING, DECOMMISSIONING

a. Commissioning

Table 2: Commissioning data

Type	PTE15Q (540X1150)	PTE15Q (685X1150)
Commissioning weight [kg]	136kg	139kg
Dimensions [mm]	1554x540x1245	1554x685x1245

After receiving our new pallet truck or for re-commissioning you have to do the following before (firstly) operating the truck:

- Check if are all parts included and not damaged.
- Make sure the tiller is assembled correctly (electrical socket is connected and fixed with two plastic clamps, circlip of the axle is installed).
- Check that battery is charged (follow chapter 8).
- Do the work according to the daily inspections as well as functional checks.

b. Hoisting/ transportation

For transporting, remove the load, lower the forks to the lowest position and fix the truck safely with dedicated hoisting equipment according to the following figures.

Hoisting



USE DEDICATED CRANE AND HOISTING EQUIPMENT
DO NOT STAND UNDER THE SWAYING LOAD
DO NOT WALK INTO THE HAZARDOUS AREA DURING HOISTING

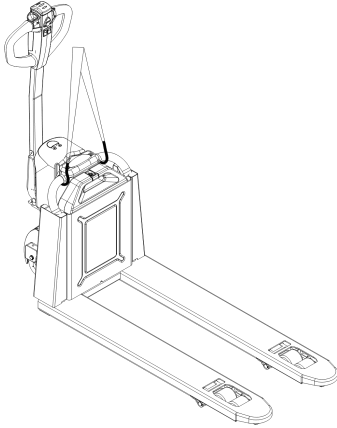


Fig. 5: Hoisting with a crane

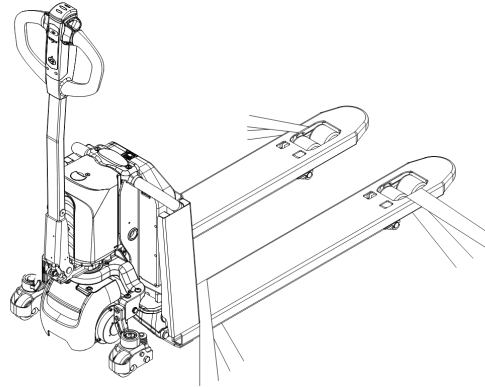


Fig. 6: Fixing points

Transportation



ALWAYS FASTEN THE TRUCK SECURELY DURING TRANSPORTATION ON A
TRANSPORT VEHICLE

Lower the forks and park the truck securely.

Fasten the truck according to Fig. 6 by fixing dedicated lashing belts to each side of the trucks crane hook holes and fasten the other side at the transporting truck.

c. Decommissioning

For storage, remove the load, lower the truck to the lowest position, grease all in this handbook mentioned greasing points (regular inspection), and eventually protect the truck against corrosion and dust. Remove the batteries and jack the truck safely, so that there will be no flattening after storage.

For final decommissioning hand the truck to a designated recycling company. Oil, batteries and electric components must be recycled due to legal regulations.

5. DAILY INSPECTION

This chapter describes pre-shift checks before putting the truck into operation.

Daily inspection is effective to find the malfunction or fault on this truck. Check the truck on the following points before operation.

Remove load from truck and lower the forks.



DO NOT USE THE TRUCK IF ANY MALFUNCTION IS FOUND.

- Check for scratches, deformation or cracks.
- Check if there is any oil leakage from the cylinder.
- Check the smooth movement of the wheels.
- Chec
- k the function of driving with tiller in its vertical position.
- Check the function of the emergency brake by activating the emergency switch.
- Check the braking function of the proximity switch of the tiller.
- Check the lifting and lowering functions by operating the buttons.
- Check if all bolts and nuts are tightened firmly.
- Visual check if there are any broken electric wires.

6. OPERATING INSTRUCTIONS



BEFORE OPERATING THIS TRUCK, PLEASE FOLLOW THE WARNINGS AND SAFETY INSTRUCTIONS (CHAPTER 3).

Make sure, that the load is palletized and stable and that the daily inspection is carried out.

Start the truck by activating magnetic lock.

Press the horn button (Fig.7, 15) to activate the audible warning signal.

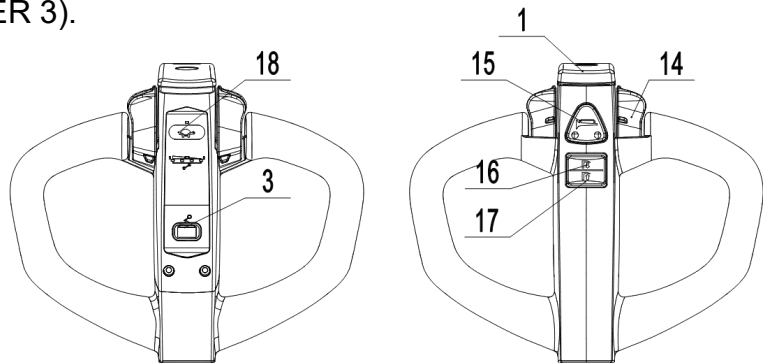


Fig.7: Control handle

a. Parking



DO NOT PARK THE TRUCK ON INCLINED SURFACES.

The truck is equipped with an electromagnetic fail-safe stopping and parking brake. Always lower the forks fully and remove the magnetic lock (3) for parking.

b. Lifting



DO NOT OVERLOAD THE TRUCK!
MAXIMUM CAPACITY OF PTE15Q IS 1500KG.

Travel with the lowered forks fully underneath the pallet and press the lifting button (Fig. 7, 16) until you reach the desired lifting height.

c. Lowering

Press the lowering button (17) carefully.

Lower the load until the forks are clear of the pallet, then drive the truck carefully out of the load unit.

d. Travelling



TRAVEL ON INCLINES ONLY WITH THE LOAD FACING UPHILL.
DO NOT TRAVEL ON INCLINES MORE THAN SPECIFIED WITH THE TECHNICAL DATA.

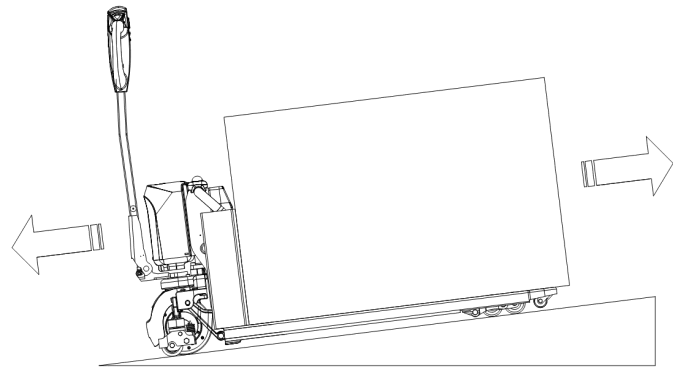


Fig. 8: Load facing uphill

After starting the truck by the magnetic lock, move the tiller to the operating zone ('F', Fig.9).

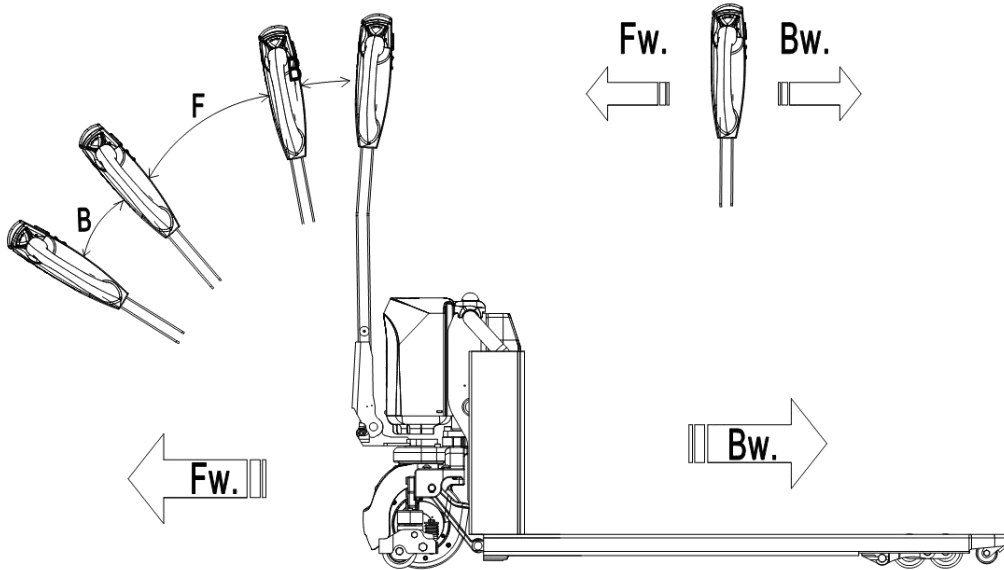


Fig. 9: Operating direction

Turn the accelerator knob to the desired direction forward 'Fw.' or backwards Bw.'(Fig. 9).

Control travelling speed by operating the accelerator (Fig.7,13) carefully until you reach desired speed.

If you move the accelerator knob back to the neutral position, the controller will decelerates the truck until the truck stops. If the truck stops, the parking brake will be engaged.

Drive the truck to the destination carefully. Watch the route conditions and adjust the travelling speed by operating the accelerator.

Press turtle button (Fig.7,18) to enter into slow speed mode, travel slowly by operating the accelerator knob (Fig.7,14), press turtle button again to switch to regular speed mode.

Press the turtle button and hold it for 2 seconds to activate driving function with tiller in vertical position when operating in confined areas.

e. Steering



Steer the truck by moving the tiller to the left or right side.

f. Braking



PLEASE CHECK THE BRAKING DISTANCE WITH TRUCK BEFORE OPERATION
THE BRAKING PERFORMANCE DEPENDS ON THE TRACK CONDITIONS AND
THE LOAD CONDITIONS OF THE TRUCK

The braking function can be activated in several ways:

- By moving the accelerator knob (14) to the initial '0' position or by releasing the knob, the regenerative braking is activated. The truck brakes until it stops.
- By moving the accelerator knob (14) from one driving direction directly to the opposite direction, the regenerative braking is activated until the truck starts traveling into the opposite direction.
- The truck brakes, if the tiller is located in the braking zones ('B'). If the tiller is released, the tiller moves automatically to the upper braking zone ('B'). The truck brakes until it stops.

The safety (belly) button (1) prevents the operator from crush. If this button is activated, the truck decelerates and/or starts traveling into backwards direction ('Bw.') for a short distance and stops then. Please consider that this button still works if the truck is not traveling with tiller in operating zone.

g. Malfunctions

If there are any malfunctions or the truck is inoperative, please stop using the truck and activate the emergency button (5) by pushing it. If possible, park the truck in a safe area and remove the magnetic lock. Inform immediately the manager or call your service. If necessary, move the truck out of the operating area by using dedicated towing/ hoisting equipment.

h. Emergency

In emergencies or in the event of tipping over (or fall off a dock), keep a safe distance immediately. If possible, push the emergency button (5) and all electrical functions will be stopped.

7. BATTERY SAFETY, CHARGING AND REPLACEMENT



- Only qualified personnel are allowed to service or charge the batteries. The instructions of this handbook must be observed.
- The batteries are lithium batteries.
- Recycling of batteries undergoes national regulations. Please follow these regulations.
- By handling batteries, open fire is prohibited!
- In the area of battery charging neither burning materials nor burning liquids are allowed. Smoking is prohibited and the area must be ventilated.
- Park the truck securely before starting charging or installing/changing the batteries.
- Before finishing the maintenance work, make sure, that all cables are connected correctly and that they are no disturbing towards other components of the truck.

Table 3: Battery specification

Model	Battery specification
PTE15Q	24V20Ah lithium battery, 6.5kg



IT IS ONLY ALLOWED TO USE LITHIUM BATTERIES.
PLEASE CONSIDER THE MAXIMUM OPERATING TEMPERATURE OF THE BATTERIES AND REFER TO SAFETY INSTRUCTIONS BELOW.

a. Safety Instructions

Failure to follow the below requirements may cause damage to your property, cause injuries or death.

Measures to prevent ignition

- It is forbidden to work at temperatures over 60 °C.
- It is forbidden to place it beside heat sources, such as stoves, fireplaces, etc.
- Direct sunlight must be avoided.
- It is forbidden to place batteries near inflammable and explosive substances.

Measures to prevent explosion

- Do not hit the battery, no impacts are allowed.
- Exclude penetration of objects through battery case or damages to battery case
- DO not throw products into the fire or water.

Measures to prevent electric leakage

- Do not disassemble.
- Do not contact by wet hands.
- Do not expose it to moisture or liquids.
- Do not place batteries in a place of easy access by children or animals.

Measures to preventing damage to battery systems

- It is forbidden to contact liquids or corrosive chemicals.
- Do not expose batteries to high temperature and/or high pressure.
- No trampling, disassembly or smashing.
- Do not attempt charging from discharge terminals and discharging from charging terminals.

Installation environment

In order to ensure the best operating performance, the battery need to be kept under normal working conditions: between 0 and 40 degrees Celsius and normal humidity. Avoid excessive temperature difference on both sides of the battery (more than 5°C)

Emergency management

Below are examples of several ways to deal with possible emergencies:

- In case of Smoke or Ignition: stop to use equipment immediately, take appropriate actions according to working instructions and stay away from the scene.
- In case battery is immersed in water: stop to use equipment immediately, take appropriate actions according to working instructions and stay away from the scene.

- Products produce smell: stop to use equipment immediately, remove the battery and take appropriate actions according to working instructions and stay away from the scene. Avoid contact with any leaking liquids or gases out of the battery (in case of contact clean immediately).

Necessary safety equipment

- Self-contained breathing apparatus and personal protective equipment.
- Sevofluoropropane fire extinguishing system.

b. Matters requiring attention

- The charging function of batteries may be blocked by Battery Management System if temperature of cells inside the battery case is lower than +5°C. Make sure the own temperature of battery is above this value and the temperature of the battery is even.
- Batteries are forbidden to charge at low temperatures, but they can be used in occasional low temperature environment (please refer to normal working conditions allowed for the truck), but their efficient capacity will be lower, which is a normal phenomenon.

Ambient temperature	Remaining discharge capacity of battery pack
25°C	100%
0°C	90%
-20°C	70%
-30°C	40%



Note: Although the battery can be discharged at very low temperature, it is easy to generate condensate during the charging process, which will damage the internal electronic devices of the battery and create unpredictable hidden dangers. Batteries cannot be charged until they are slowly warmed up to minimum allowed temperature for activation of charging function (may take up to 4 hours in normal temperature conditions). Forced warming up (e.g., using of heaters, vents etc.) is forbidden.

The dependence of actual capacity from environmental temperature is shown for reference only and can not be used as a commitment/allowance for low temperature operation, please refer to the Chapter 1 for correct application conditions.

- The battery protection level is IP40, so please do not wash the battery directly with water.
- When the lithium battery pack is not in use for a long time store it with 30-50% level of charge to extend its life-time.
- When the vehicle is prohibited to run, that is, when the handle power indicator is blinking red, please charge in time; otherwise, there may be the risk of battery power loss; It is recommended that charging be carried out within 7 days when driving is prohibited.

c. Replacement

Park the truck securely and disconnect the battery connector plug to power off the truck. Hold the battery grip and take out the battery vertically. The installation is in the reverse order.

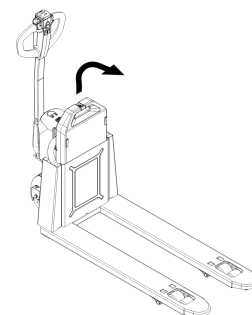


Fig. 10: Battery replacement

d. Tiller panel

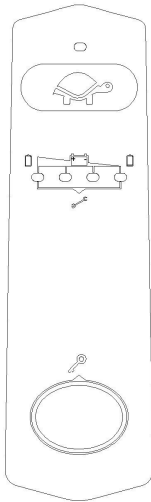
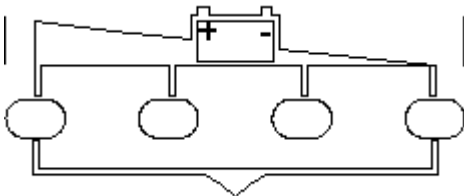


Fig. 11: Tiller panel

Fault Code

When a fault code is generated, firstly all four battery indicator lights are on, then the first (most left) battery indicator flashes and counts, then multiply this number by ten for the first number; when the fourth (most right) battery indicator flashes, counts the times for the second number; Plus these two numbers you will get the fault code.

Battery state of charge (SOC)



The battery's state of charge is indicated by 4 indicator lights. As the battery gradually discharges, the battery indicator lights turn on in sequence. When the green light is on, SOC is 75%-100%. When the blue light is on, SOC is 50%-75%. When the yellow light is on, SOC is 25%-50%, and when the red light is on, SOC is 0%-25%.

Turtle Symbol

The Turtle Symbol indicator is normally off, when the symbol appears (fixed), it shows activation of the “soft” mode of the truck, in which maximum speed and acceleration are reduced.

e. Charging



- Before charging ensure that you are using an appropriate charger for charging the installed battery and that all safety measures are taken into consideration.

- Before using the charger, please fully understand the instructions of the charger instructions.
- Always follow these instructions
- The room, where you are charging must be ventilated.
- The exactly charge status can be only checked from the discharge indicator. To control the status, the charging must be interrupted and the truck must be started.
- Do not make attempts to charge the battery if it is impacted and the battery case is damaged.

Park the truck at a dedicated secured area with a dedicated power supply.

Lower the forks and remove the load;

To keep the vehicle power green on, connect the charger charging plug (19) to the battery charging port (20), and then connect the charger power plug (18) to the power socket. The charger starts charging the battery.

If charging is completed, disconnect the charger from the battery and the power supply, then put the charger in the designated pocket.

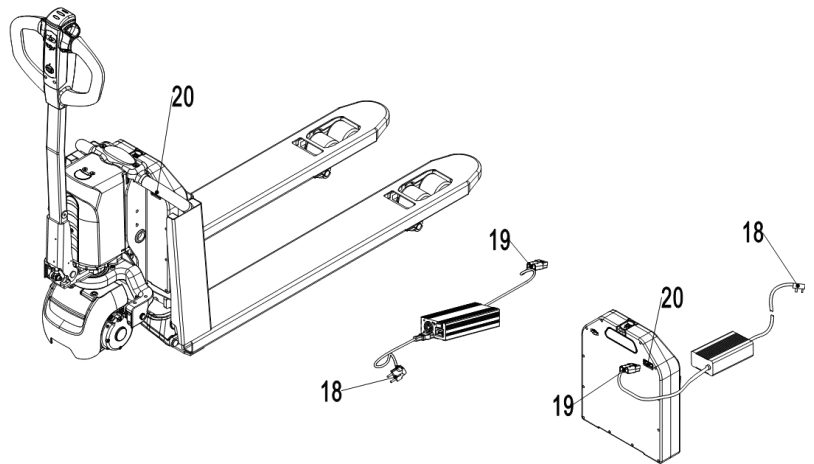


Fig.12: Battery charging

It's also allowed to remove the battery out and charge in dedicated area.

If there is an optional second battery, the truck can continue to work after replacing the battery, and charge the battery that needs to be charged separately.

Table 4: LED-Status

LED - Signal	Function
Red	Charging
Green	Fully charged

Table 5: Charger (PTE15Q)

Model	Specification	Input	Output
DZL2420SS02	24V8A (EN)	180Vac -240Vac~2.0A MAX	29.2V 5.0A
DZL300SS02	24V8A (EN)	180Vac -240Vac~3.0A MAX	29.2V 8.0A
SSLC300V29	24V8A (USA)	120Vac~3.0A MAX	29.2V 8.0A

8. REGULAR MAINTENANCE



- Only qualified and trained personnel are allowed to do maintenance on this truck.
- Before maintaining, remove the load from the forks and lower the forks to the lowest position.
- If you need to lift the truck, follow chapter 4b by using designated lashing or jacking equipment. Before working, put safety devices (for instance designated lift jacks, wedges or wooden blocks) under the truck to protect against accidental lowering, movement or slipping.
- Please pay attention by maintain the tiller arm. The gas pressure spring is pre-loaded by compression, carelessness can cause injury.
- Use approved and from your dealer released original spare parts.
- Please consider that oil leakage of hydraulic fluid can cause failures and accidents.
- It is allowed to adjust the pressure valve only from trained service technicians.

If you need to replace the wheels, please follow the instructions above. The casters must be round and free of abnormal wear.

Check the items emphasized in maintenance checklist.

a. Maintenance checklist

Table 7: Maintenance checklist

		Interval (month)			
		1	3	6	12
Hydraulic					
1	Check the hydraulic cylinder for damage noise and leakage		•		
2	Check the hydraulic joints for damage and leakage		•		
3	Inspect the hydraulic oil level, refill if necessary		•		
4	Replace the hydraulic oil (12 month or 1500 working hours)				•
5	Check and adjust the pressure valve (1500kg (PTE15Q)+0/+10%				•
Mechanical system					
6	Inspect the forks for deformation and cracks		•		
7	Check the chassis for deformation and cracks		•		
8	Check if all screws are fixed		•		
9	Check the push rods for deformation and damages		•		
10	Check the gearbox for abnormal sound and noise		•		
11	Inspect the wheels for deformation and damages		•		
12	Inspect and lubricate the steering bearing				•
13	Inspect and lubricate the pivot points if necessary		•		
14	Lubricate the grease nipples	•			

Electrical system				
15	Inspect the electric wiring for damage		•	
16	Check the electric connections and terminals		•	
17	Test the Emergency switch function		•	
18	Check the electric drive motor for noise and damages		•	
19	Test the display		•	
20	Check, if correct fuses are used		•	
21	Test the warning signal		•	
22	Check the contactor(s)		•	
23	Check the frame leakage (insulation test)		•	
24	Check function and mechanical wear of the accelerator		•	
25	Check the electrical system of the drive motor		•	
Braking system				
26	Check brake performance, if necessary, replace the brake disc		•	
Battery				
27	Check the battery voltage		•	
28	Clean the terminals for corrosion and damages		•	
29	Check the battery housing for damages		•	
Charger				
30	Check the main power cable for damages			•
31	Check the start-up protection during charging			•
Function				
32	Check the horn function	•		
33	Check the air gap of the electromagnetic brake	•		
34	Test the emergency braking	•		
35	Test the reverse and regenerative braking	•		
36	Test the safety (belly) button function	•		
37	Check the steering function	•		
38	Check the lifting and lowering function	•		
39	Check the tiller arm switch function	•		
General				
40	Check if all decals are legible and complete	•		
41	Inspect the castors, adjust the height or replace if worn out.		•	
42	Carry out a test run	•		

b. Lubricating points

Lubricate the marked points according to the maintenance checklist. The required grease specification is: DIN 51825, standard grease.

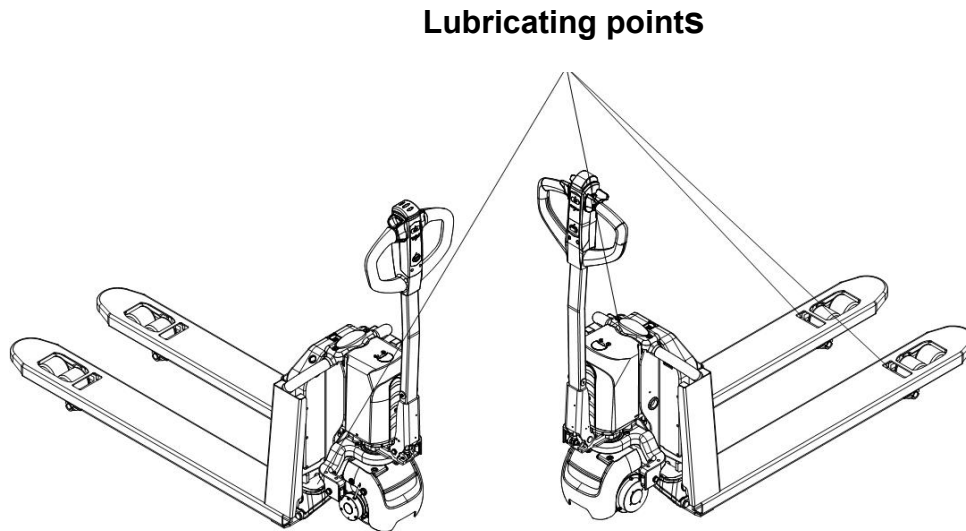


Fig. 13: Lubricating points

c. Check and refill hydraulic oil

It is recommended to use hydraulic oil in accordance with average temperature:

Environment temperature	-5°C~25°C	>25°C
Type	HVLP 32, DIN 51524	HLP 46, DIN 51524
Viscosity	28.8-35.2	41.4 - 47
Amount	0.4 L	

Waste material like oil, used batteries or other must be properly disposed and recycled according to the national regulations and if necessary brought to a recycling company.

The oil level in the oil tank should be between min and max marks with fully lowered forks.

If necessary add oil at the filling point.

d. Checking electrical fuses

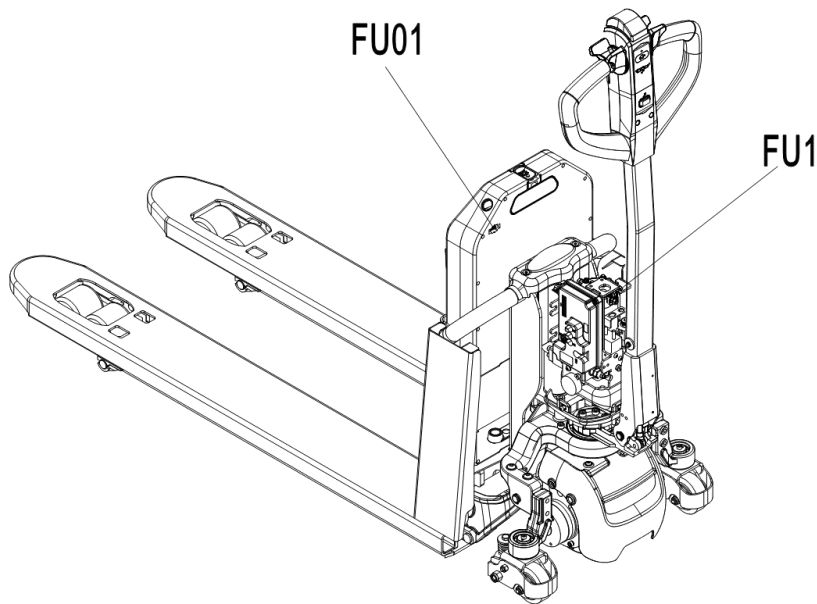


Fig. 14 Location of fuses

Table 8: Fuse specification

	Specification
FU 1	10A
FU 01	70A

9. TROUBLE SHOOTING



- IF TRUCK HAS MALFUNCTIONS, FOLLOW THE INSTRUCTIONS IN CHAPTER 6.

Table 9: Trouble shooting

TROUBLE	CAUSE	REPAIR
Load can't be lifted	Load weight too high	Lift only the max. capacity, mentioned on the ID-plate
	Battery low power	Charge the battery
	Lifting contactor failure	Check and contact with service support for replacement if necessary
	Hydraulic oil level too low	Check and eventually refill hydraulic oil
	Oil leakage	Repair the sealing of the cylinder

Oil leakage from air breathing	Excessive quantity of oil.	Reduce oil quantity.
Truck not starts operating	Battery is charging	Charge the battery completely and then remove the main power plug from the electrical socket.
	Battery not connected	Connect the battery correctly
	Fuse faulty	Check and eventually replace fuses
	Low battery	Charge the battery
	Emergency switch is activated	Turn the emergency switch clockwise
	Tiller in the operating zone	Move the tiller firstly to the braking zone.

If the truck has malfunctions and can't be operated out of the working zone, jack the truck up and go with a load handler under the truck and safe the truck securely. Then move truck out of the aisle.

10. WIRING/ CIRCUIT DIAGRAM

a. Electrical circuit diagram

PTE15Q

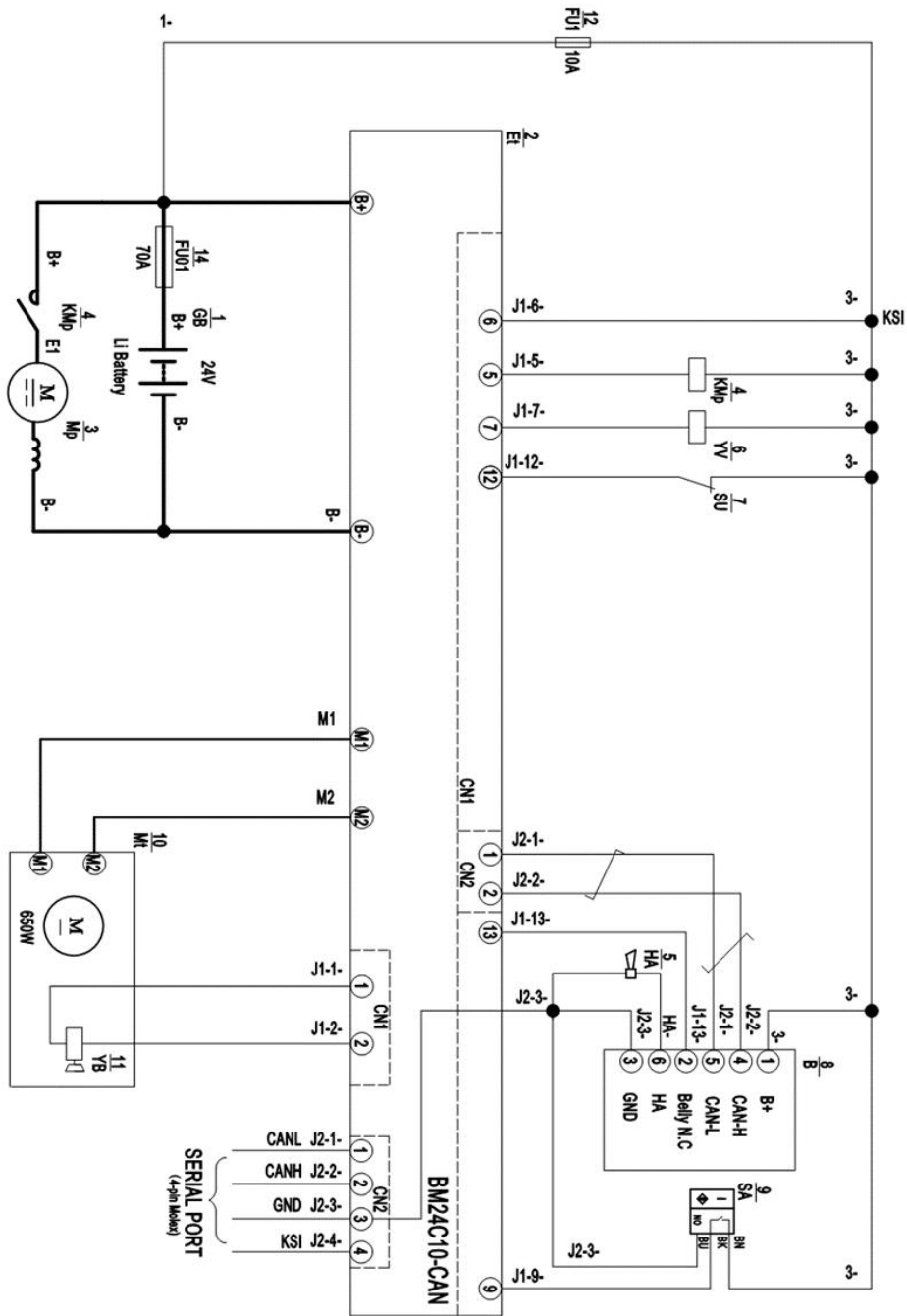


Fig.15: Electric diagram

Fuse 1: 10A
Fuse 01: 70A

Table 10: Description of electrical diagram

Code	Item	Code	Item
GB	Battery	B	CAN tiller
Et	Controller	SA	Proximity switch
Mp	Pump motor	Mt	Traction motor
KMp	Pump contactor	YB	Electromagnetic brake
YV	Electromagnetic valve	FU1	10A fuse
SU	Micro switch	FU01	70A fuse

b. Hydraulic circuit diagram

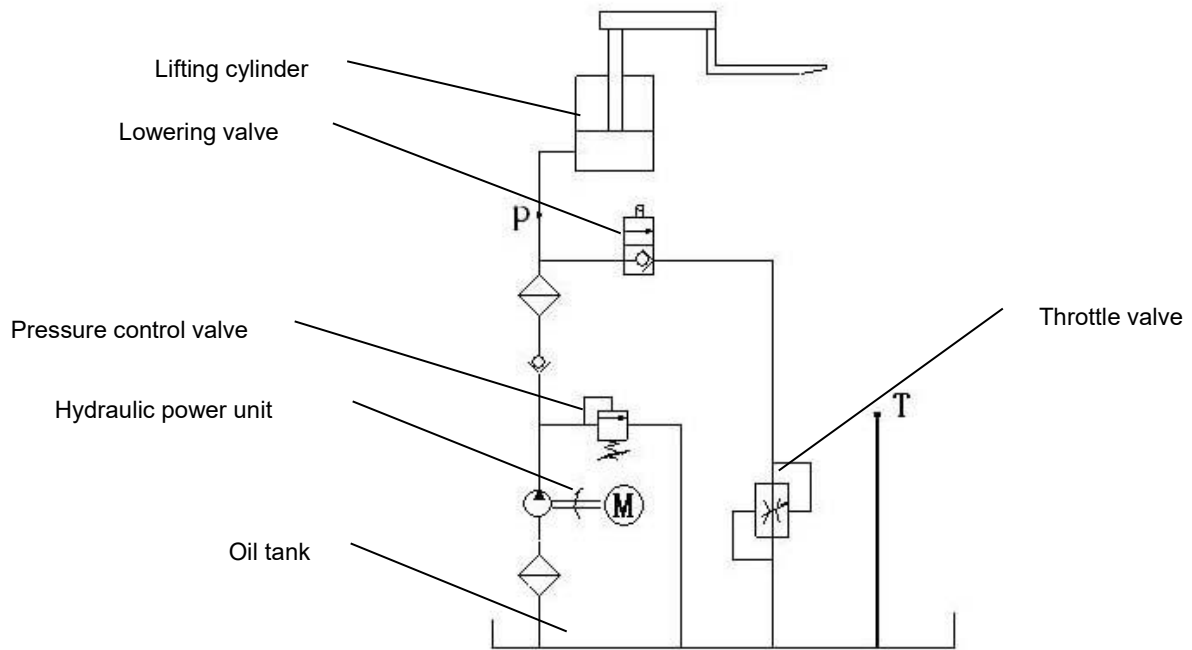


Fig. 16: Hydraulic circuit

11. SPECIALIZED STIPULATIONS FOR THE US- AMERICAN MARKET

The content in this chapter is specialized for the US-American market.


a. Foreword/ Compliance


Operating this truck requires knowledge which can be acquired from this instruction handbook. This handbook must be kept available throughout the entire period of use of the industrial truck.


IT IS LAW; YOU MUST BE TRAINED AND CERTIFIED TO OPERATE THIS TRUCK! READ AND OBEY ALL WARNINGS AND INSTRUCTIONS IN THIS MANUAL AND ON THE TRUCK!

Only properly trained operators are allowed to operate a powered industrial truck. Your employer must train you and certify, that you are qualified to operate this truck (required by OSHA § 1910.178). The training must satisfy OSHA requirements and as minimum the topics mentioned in this handbook. Depending on the context in this operating manual, the user can refer to several people, including the owner of the truck, anyone who leases or borrows this truck, and the operator as defined in ASME B56.1. Please pay attention to the section in ANSI/ITSDF B56.1 concerning the operator. In this standard, it is defined that the safe operation is the responsibility of the operator (ANSI/ITSDF B56.1, Part II, section 5.1.1). You and others can be seriously injured or even killed if you don't use this truck correctly. Before operating your truck, inspect your truck and ensure that it is in correct working order. This truck was designed and built to current industry and government standards. For more information see following:

- ANSI/ITSDF B56.1
- OSHA §1910.178 (Occupational Safety and Health Act)

 **DANGER** This sign indicates hazard situations, if not avoided, will result in serious injury or death. The instructions or precautions to this message must be observed to avoid the potential risk of injury or death.

 **WARNING** If not followed, warning indicates hazard situations which may lead to moderate injury. The instructions or precautions to this message must be observed to avoid the potential risk of injury or death.

 **CAUTION** If not followed, caution indicated situations which may lead to minor injury. Instructions or precautions must be observed to avoid minor injury.

b. Identification plate

- | | | | |
|---|--|----|---|
| 1 | Truck Model | 9 | Option |
| 2 | Serial Number | 10 | Maximum Battery Capacity (Ah) |
| 3 | Supply Voltage (Volts) | 11 | Battery Weight Min/Max lbs. (kg) |
| 4 | Truck Weight with Max. Battery, lbs (Kg) | 12 | Battery Manufacturer Information |
| 5 | Truck Weight without Battery, lbs. (Kg) | 13 | Battery Model Number |
| 6 | Manufacturing Date (MM/YYYY) | 14 | Battery Amp Hour Rate |
| 7 | Load Center Distance (mm) | 15 | Maximum Capacity (Uniformly Distributed load) |
| 8 | B56.1 Standard Statement | 16 | Truck Manufacturer Information |

1	MODEL		OPTION	9
2	SERIAL NO.		MAX. BATTERY CAPACITY	10
3	SYSTEM VOLTAGE		BATTERY WEIGHT MIN/MAX LBS (KG)	11
4	TRUCK WEIGHT +/- 5% WITH MAX. BATTERY, LBS (KG)		BATTERY MANUFACTURER	12
5	TRUCK WEIGHT +/- 5% WITHOUT BATTERY, LBS (KG)		BATTERY MODEL NUMBER	13
6	YEAR OF MANUF.		BATTERY HOUR RATE	14
7	LOAD CENTER DISTANCE			15
8	THIS FORKLIFT MEETS OR EXCEEDS DESIGN SPECIFICATIONS OF ANSI/ITSDF B56.1 IN EFFECT ON THE DATE OF MANUFACTURE FOR TYPE E INDUSTRIAL TRUCKS WHEN EQUIPPED WITH E BATTERY.		MAX. CAPACITY (UNIFORMLY DISTRIBUTED LOAD) XXX LBS XXXX KGS	16
			XXXXX XXXXXXXXX XXXXXXXXX	

c. Description warning labels (only US- market)

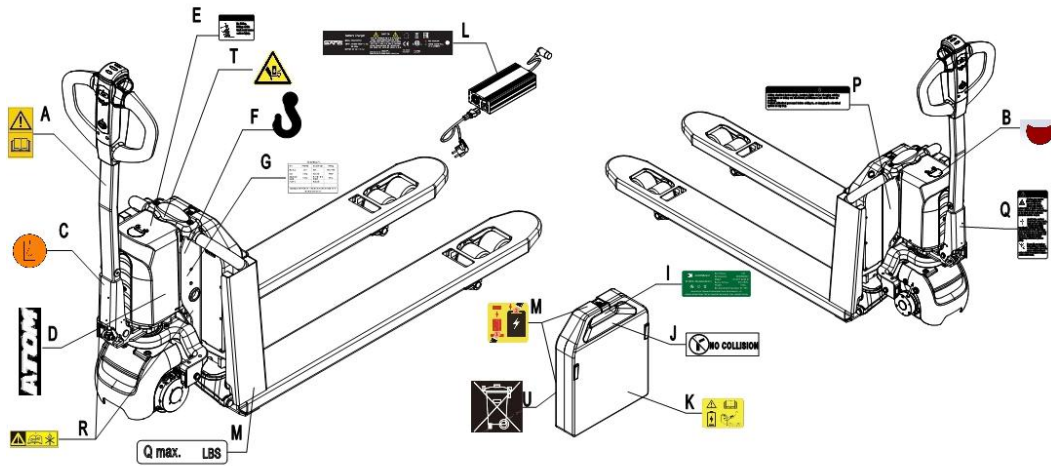


Fig. 17: Warning labels and safety devices (only USA)

- | | |
|--|---|
| A Sticker to observe and follow this instruction | J No collision sticker |
| B Decal on motor cover | K Battery warning sticker |
| C Oil filling decal | L Charger ID plate |
| D Model sticker (ATOM) | M Warning sticker (operation steps) |
| E "No passengers" decal | P Sign warning electrical device |
| F Crane hook label | Q Sign warning stay clear stop truck |
| G Identification plate (ID-plate) | R Sticker to read and follow maintenance manual |
| H Capacity label | T Warning sticker (hands pinching) |
| I Battery ID plate | U Sticker (do not discard the label) |

The truck is equipped with an emergency switch (5) which stops all lifting-, lowering-, driving- functions and engages the failsafe electromagnetic brake when it is pushed. The function is described in chapter 2c. Follow the instructions given on the decals. Replace the decals if they are damaged or missing.

Sign read and follow this instruction (A)



Sign oil filling decal (C)



Sign warning stay clear stop truck (Q)

WARNING

It is law, you must be certified and trained to operate this truck. Misuse can result in serious injury or death to you or others. All instructions and warnings on the truck and the instruction handbook must be obeyed.

Avoid being crushed. Keep head, arms, hands, legs and feet within the operator area. While travelling be careful when parts extend the truck or its edges. Stop truck completely and set the parking brake, if equipped. Immediately exit and move away from truck in emergency. Look where you are going.

Never ride or stand on forks. Riding or standing on forks or lifted load can cause a fall resulting in serious injury or death. Use extreme caution near docks.

Sign warning electrical devices (K)

WARNING

Adding electrical devices (radio, terminal, lights etc.) or changing existing components or wiring can affect truck performance and could cause an accident. Contact authorized personnel before adding to, or changing the electrical system in any way.

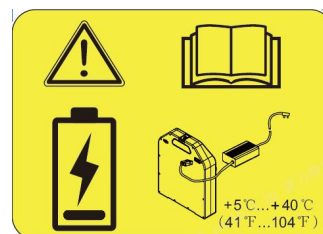
Sign no collision (J)



Decal on motor cover (B)



Warning sticker (K)



d. Technical data for US market

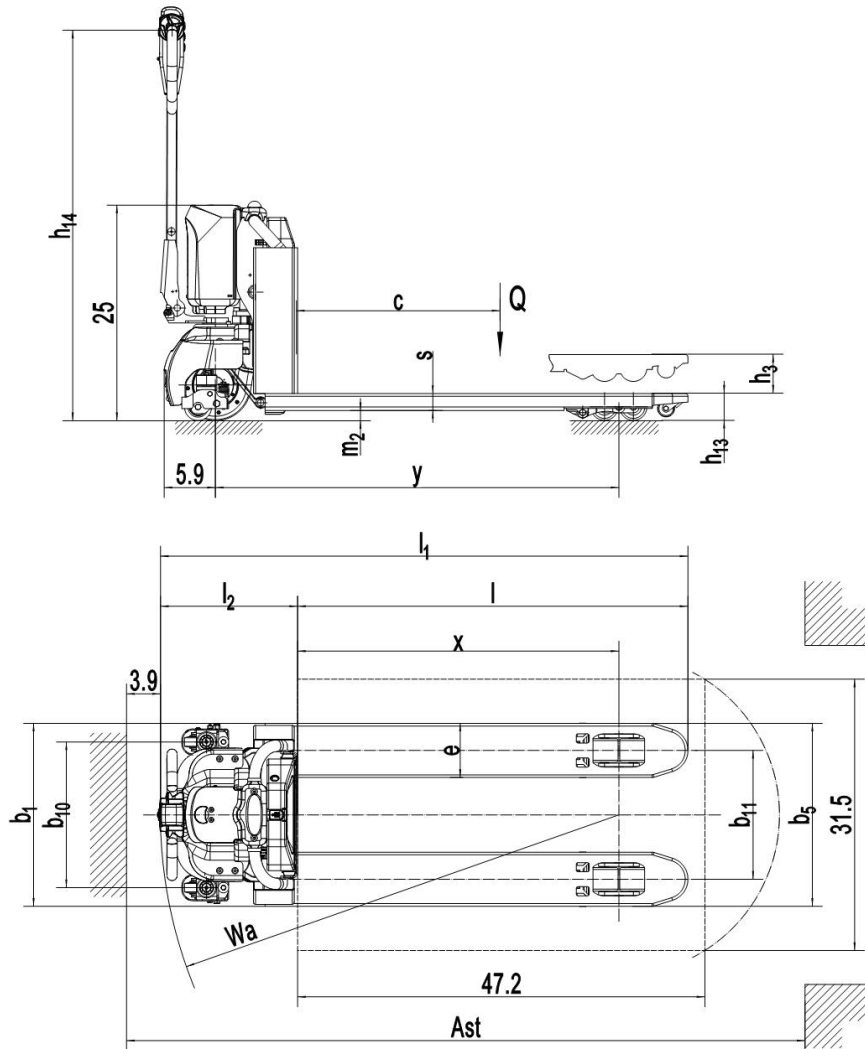


Fig. 18: Technical data (US market)

Table 14: Main technical data for standard version (US market)

Type sheet for industrial truck acc. to VDI 2198				
Distinguishing mark	1.2	Manufacturer`s type designation		PTE33Q-A
	1.3	Drive		Battery
	1.4	Operator type		Pedestrian
	1.5	Load Capacity / rated load	Q (t)	3300
	1.6	Load centre distance	c (mm)	23.6
	1.8	Load distance ,centre of drive axle to fork	x (mm)	37.3
	1.9	Wheelbase	y (mm)	46.8
Weight	2.1	Service weight	kg	280 289
	2.2	Axle loading, laden front/rear	kg	1378 /2203 1384 / 2205
	2.3	Axle loading, unladen front/rear	kg	218 / 62 225/ 64
Tyres, chassis	3.1	Tires		Polyurethane (PU)
	3.2	Tire size,front	∅ x w (mm)	∅ 8.27×2.95
	3.3	Tire size,rear	∅ x w (mm)	∅ 3.15×3.66(∅ 3.15×2.76)
	3.4	Additional wheels(dimensions)	∅ x w (mm)	-/∅ 3.15×1.18
	3.5	Wheels,number front/rear(x=driven wheels)		1x/ 2(1x/ 4) or 1x +2/ 2(1x +2/ 4)
	3.6	Tread, front	b ₁₀ (mm)	-/16.93
	3.7	Tread, rear	b ₁₁ (mm)	15 20.7
Dimensions	4.4	Lift	h ₃ (mm)	4.53
	4.9	Height of tiller in drive position min./ max.	h ₁₄ (mm)	25.8 / 45.7
	4.15	Height, lowered	h ₁₃ (mm)	3.15
	4.19	Overall length	l ₁ (mm)	60.75
	4.20	Length to face of forks	l ₂ (mm)	15.47
	4.21	Overall width	b ₁ (mm)	21.26 26.97
	4.22	Fork dimensions	s/e/l (mm)	50 / 160 / 1150
	4.25	Width Across Forks	b ₅ (mm)	21.26 26.97
	4.32	Ground clearance, centre of wheelbase	m ₂ (mm)	30
	4.34	Aisle width for pallets800X1200 lengthways (200mm safe distance)	Ast (mm)	2013
	4.35	Turning radius	Wa (mm)	1340
Performance data	5.1	Travel speed, laden/ unladen	km/h	4.3/4.9
	5.2	Lift speed, laden/ unladen	m/s	0.015/0.022
	5.3	Lowering speed, laden/ unladen	m/s	0.05 / 0.026
	5.8	Max. gradeability, laden/ unladen	%	6 / 16
	5.10	Service brake		Electromagnetic
Electric- engine	6.1	Drive motor rating S2 60min	kW	0.75
	6.2	Lift motor rating at S3 10%	kW	0.50
	6.3	Battery acc. to DIN 43531/ 35/ 36 A, B, C, no		No
	6.4	Battery voltage, nominal capacity K5	V / Ah	24 / 20
	6.5	Battery weight	kg	6.5
	6.6	Energy consumption acc. to VDI cycle	kWh/h	0.25
Addition data	8.1	Type of drive control		DC speed Control

12. DECLARATION OF CONFORMITY (valid, if sold within EU)

[GB] CE Declaration of Conformity

The signatory hereby declares that the specified machine conforms to the EU Directive 2006/42/EC (Machine Directive) and 2014/30/EU (Electro-Magnetic Compatibility, EMC) including their amendments as translated into national legislation of the member countries. The signatory is individually authorized to compile the technical documents.

[D] EG-KONFORMITÄTSERKLÄRUNG

Der Unterzeichner bescheinigt hiermit, dass die im Einzelnen bezeichnete Maschine den Europäischen Richtlinien 2006/42/EG (Maschinenrichtlinie) und 2014/30/EU (Elektromagnetische Verträglichkeit - EMV) einschließlich deren Änderungen sowie dem entsprechenden Rechtserlaß zur Umsetzung der Richtlinien in nationales Recht entspricht. Der Unterzeichner ist bevollmächtigt, die technischen Unterlagen zusammenzustellen.

[E] DECLARACIÓN DE CONFORMIDAD CE

El signatario certifico por medio de la presente que la máquina especificada cumple con las Normas Europeas 2006/42/CE (Normativa para maquinarias) y 2014/30/EU (Compatibilidad electromagnética), incluyendo sus respectivas odificaciones, así como con el decreto-ley para la adaptación de las normas al derecho nacional. El signatario dispone de una autorización individual que le permite compilar la documentación técnica.

[F] DECLARATION DE CONFORMITE CE

Par la présente déclaration, les soussignés certifient que le machines spécifié ci-dessus est conforme à la loi et aux directives européennes 2006/42/CE (directive sur les machines) et 2014/30/EU (compatibilité électromagnétique - CEM), y compris aux modifications qui y sont apportées et à l'arrêté autorisant sa transposition en droit national. Chaque signataire est habilité à établir individuellement la documentation technique.

[NL] EG-CONFORMITEITSVERKLARING

Ondergetekenden verklaren hierbij dat - volgens de nationale wetgeving van de Lidstaten - de hierboven vermelde opgegeven machina beantwoordt aan de bepalingen qua veiligheid bij machines (EG richtlijn 2006/42/EC) en electro-magnetische compatibiliteit (EG richtlijn 2014/30/EU).

Ondergetekenden zijn ieder individueel gemachtigd het technisch dossier samen te stellen.

[P] DECLARAÇÃO DE CONFORMIDADE CE

Pela presente, os signatários certificam que o máquina especificado está conforme às Directivas Europeias 2006/42/CE („Máquinas“) e 2014/30/EU („Inocuidade Electromagnética - IEM“), incluindo as alterações das mesmas e o respectivo decreto-lei para a transposição em lei nacional. Cada um dos signatários está autorizado a proceder à elaboração da documentação técnica.

[I] DICHIARAZIONE DI CONFORMITÀ CE

Il sottoscritto dichiara con il presente che la macchina specificata soddisfa le Direttive Europee 2006/42/EC (Direttiva Macchine) e 2014/30/EU (Compatibilità elettromagnetica - EMV) comprese le relative modifiche, come pure il rispetto del decreto legislativo per la conversione delle direttive in diritto nazionale. Il sottoscritto è autorizzato individualmente a compilare la documentazione tecnica.

[BG] ЕВРОПЕЙСКА ОБЩНОСТ - ДЕКЛАРАЦИЯ ЗА СЪОТВЕТСТВИЕ

Подписаните удостоверяват с настоящето, че подробно описаното машина средство отговаря на европейския норматив 2006/42/EG (норматив за машини) и на 2014/30/EU (електро-магнетична съвместимост), включително с техните промени, както и на съответния указ за прилагане на нормативите в националното право. Подписаните при това са упълномощени поотделно да съставят техническата документация.

[CZ] EG - PROHLÁŠENÍ OSHODĚ

Niž zpodepsaný tím potvrzuje, že podrobný popis uvedený stroje odpovídá Evropským směrnici 2006/42/EC (směrnice pro stroje) a 2014/30/EU (elektromagnetická interference - EMV) včetně jejich pozdějších úprav, jakož i příslušným právním výnosům pro uplatnění příslušné směrnice v rámci národního práva. Každý z podepsaných jsou jednotlivě zplnomocněni k vytvoření technických podkladů.

[DK] EF-OVERENSSTEMMELSE SERKLÆRING

Undertegnede attesterer hermed, at det specificerede maskine stemmer overens med de Europæiske Direktiver 2006/42/EU (maskindirektiv) og 2014/30/EU (elektromagnetisk kompatibilitet - EMC) samt med den modsvarende lovgivning til implementering af direktiver i den nationale lovgivning. De undertegnede er hver for sig beføjede til at sammenstille de tekniske dokumenter.

[EST] EL vastavusavaldus

Allakirjutatud tõendavad käesolevaga, et üksikasjaliselt kirjeldatud täpsustatud masin vastab Euroopa direktiividele 2006/42/EÜ (Direktiiv masinate kohta) ja 2014/30/EU (Elektromagnetiline sobivus - EMS) kaasa arvatud nende muudatused ja nende vastavatele õigusmäärustele direktiivide muutmiseks siseriiklikuks õiguseks. Iga allakirjutanu üksikult on volitatud koostama tehnilist dokumentatsiooni.

[FIN] EU-YHDENMUKAISUUSSELÖSTUS

Allekirjoittaneet todistavat täten, että kukin erikseen mainittu omalla voimalla lähtöteillä varustettujen koneiden vastaa EU-direktiivien 2006/42/EC (koneiden rakennusdirektiivi) ja 2014/30/EU (sähkömagneettinen yhteensopivuus – EMC) määräyksiä sekä niiden muutoksia ja niiden kansalliseen lainsäädäntöön soveltamista koskevaa oikeussäätöä. Jokaisella allekirjoittaneista on oikeus itsenäisesti laatia asiaankuuluvia teknisiä asiakirjoja.

[GR] ΔΗΛΩΣΗ ΣΥΜΜΟΡΦΩΣΗΣ ΕΚ

Οι υπογράφοι της βεβαιώνουν, ότι η συγκεκριμένη μηχανή συμμορφώνεται προς την Κοινοτική Οδηγία 2006/42/ΕΚ («Μηχανήματα») και 2014/30/ΕΥ (Ηλεκτρομαγνητική Συμβατότητα, ΗΜΣ), καθώς και οι τροποποιήσεις τους, όπως μεταφράστηκαν στα ελληνικά σύμφωνα με τις οδηγίες των χωρών μελών. Οι υπογράφοι της είναι επίσης αρμόδια για τη σύνταξη τεχνικών εγγράφων.

[H] EU KONFORMITÁSI NYILATKOZAT

Alulírottak ezennel igazolják, hogy a részletesen leírt a megadott gép megfelel a 2006/42/EC (Gép-Írányelv) és a 2014/30/EU (Elektromágneses összeférhetőség - EMV) Európai Irányelveknek, beleértve azok módosításait, valamint az irányelvek nemzeti jogba történő átültetésére irányuló megfelelő jogi rendelkezést. Továbbá az alulírottak mindegyike rendelkezik meghatalmazással arra nézve, hogy összeállíthatja a műszaki dokumentációt.

[LT] ES atitikimø deklaracija

Žemiau pasirašę asmenys patvirtina, kad atskirai aprašytas nurodyta mašina atitinka Europos Sąjungos direktyvas 2006/42/EB (Mašinų direktyva) ir 2014/30/EU (Elektromagnetinis suderinamumas – EMS) įskaitant jų pakeitimus, o taip pat ir atitinkamą teisės aktų dėl direktyvų įgyvendinimo nacionalinėje teisėje. Kiekvienas iš pasirašiusių asmenų turi teisę ruošti techninę dokumentaciją.

[LV] ES atbilstības deklarācija

Ar zemāk redzamajiem parakstiem tiek apliecināts, kanorādīts mašīna atbilst Eiropas Savienības normatīvām 2006/42/EG (Mašīnu normatīvas) un 2014/30/EU (Elektromagnētiskā atbilstība – EMV), ieskaitot to izmaiņus, kā arī atbilstošos tiesiskos rīkojumus normatīvu pielāgošanai nacionālajai likumdošanai. Parakstu īpašnieki ir atsevišķi pilnvaroti sastādīt tehniskās dokumentācijas.

[N] EU-KONFORMITETSERKLÆRING

Undertegnede bekrefter hermed at de enkelte betegnede maskin med kraftdrift tilsvarende de europeiske retningslinjene 2006/42/EC (maskinretningslinje) og 2014/30/EU (elektromagnetisk fordraglighet - EMV) inklusiv disse endringer og den tilsvarende rettsforordning til omsetning av nasjonal rett. Hver undertegnede er fullmektig til å sette sammen de tekniske dokumentene.

[PL] DEKLARACJA ZGODNOŚCI WE

Niżej podpisani deklarują, że poniżej opisana maszyna spełnia wymagania określone w dyrektywach Europejskich 2006/42/EC (Dyrektywa Maszynowa) i 2014/30/EU (Kompatybilności elektromagnetycznej - EMC) wraz z ich późniejszymi zmianami oraz odpowiednimi rozporządzeniami mającymi na celu przeniesienie tych dyrektyw do prawa krajów członkowskich. Sygnatariusz jest indywidualnie upoważniony do zestawiania dokumentacji technicznej.

[RO] DECLARATIE DE CONFORMITATE CE

Subsemnatii adeveresc prin prezenta că vehiculul despecificat mașină descrie individual corespunde directivei europene 2006/42/CE (Directivă privind mașinile) și 2014/30/EU (Compatibilitate electromagnetică - CEM) inclusiv modificărilorlor precum și actului legislativ corespunzător pentru transpunerea directivei în drept național. Subsemnatii sunt fiecărui parte impuțerniciți să întocmească documentația tehnică.

[RU] Декларация соответствия стандартам ЕС

Настоящим лица, подписавшие документ, удостоверяют, что машина с указанной спецификацией соответствует европейским стандартам 2006/42/EG (Транспортная директива) и 2014/30/EU (Электромагнитная совместимость - EMC), включая изменения в них, а также соответствующим национальным стандартам и нормам. Каждое по отдельности лицо, подписавшее документ, имеет полномочия для составления технической документации.

[S] EG-KONFORMITETSFÖRKLARING

Undertecknarna intygar härmed att det i detalj betecknade maskin uppfyller de Europeiska direktiven 2006/42/EG (Maskindirektiv) och 2014/30/EU (Elektromagnetisk tålighet - EMV), inklusive ändringarna i detta och den motsvarande rättsförordningen för att omsätta direktiven i nationell rätt. Undertecknarna har var för sig fullmakt att sammanställa den tekniska dokumentationen.

[SK] vyhlásenie o zhode

Dolu podpísaní týmto potvrdzujeme, že podrobný popis uvedené stroje zodpovedá Európskym smerniciam 2006/42/EC (ernica pre stroje) a 2014/30/EU (elektromagnetická tolerancia – EMV) vrátane jeho neskorších úprav, rovnako zodpovedá aj príslušným právnym nariadeniam na uplatnenie smerníc v rámci národného práva. Každý z podpísaných je jednotlivo splnomocnený na vytvorenie technických podkladov.

[SLO] EU IZJAVA O SKLADNOSTI

Podpisani s tem potrjujemo, da posamično označeno določeno stroj vozilo odgovarja Evropski direktivi 2006/42/EC (Direktiva o strojih) in 2014/30/EU (Elektromagnetna skladnost - EMV) vključno z njihovimi spremembami ter ustrezno pravno uredbo o prevzemu smernic v nacionalno pravo. Podpisniki so vsakokrat posamezno pooblašteni za izdajanje tehnične dokumentacije.

[TR] AB Uygunluk Açıklaması

İmza sahibi şahıslar, ayrıntıları belirtilen makine aracının, 2006/42/EC (Makine Yönergesi) ve 2014/30/EU (Elektromanyetik Uyumluluk – EMC) no'lu Avrupa Yönergelerine ve bunların değişiklik sonucu oluşan metinlerine ve yönergelerin milli hukuk hükümlerine dönüştürülmesine dair ilgili hukuk karamamesine uygun olduğunu tasdik ederler. İmza sahibi şahıslar teknik dosyaları bir araya getirmek için münferiden vekil tayin edildi.

- (1) Type/ Typ/ Tipo/ Modello/ Тууып/ Tipo / ΤΥΠΟΣ/ Τίπος/ Тип/ Тип/ Tips/ Tipas/ Tüüp:
- (2) Serial No./ Serien-Nr./ N°. de série/ Seriennummer/ N° de serie/ Numero di serie/ Serienr./ Sarjanro/ αυξάνων αριθμός/ Seriové číslo/ Szériaszám/ Nr.Seryjny/ Serijska številka/ Výrobné číslo/ Серийный номер/ Seri No./ Seerianr./ Sērijas Nr./ Serijos numeris:
- (3) Year of constr./ Baujahr/ Année de constr./ Bouwjaar/ Año de constr./ Anno di costruzione/ Produktionsår/ Byggeår/ Tillverkningsår/ Valmistusvuosi / Ano de fabrico / έτος κατασκευής/ Rok výroby/ Gyártási év/ Rok produkcji / Letnik / Год изготовления / Üretim yılı / Väljalaskeasta / Izgatavošanas gads / Gamybos metai
- (4) Manufacturer or his authorized representative in Community/ Hersteller oder in der Gemeinschaft ansässiger Vertreter/ Fabricant ou son mandataire établi dans la Communauté/ Fabrikant of zijn in de Gemeenschap gevestigde gemachtigde/ Fabricante o representante establecido en la Comunidad/ Construtor ou representante estabelecido na Comunidade/ Costruttore oppure il suo rappresentante nella Comunità/ Fabrikant eller dennes Fællesskabet eller dets befuldmægtigede/ Produsent eller agent innen felleskapet/ Tillverkare eller representant inom EU/ Valmistaja tai yhteisömaassaaoleva edustaja / V'robcenebojehozastoupeni/ Gyártó / producent albo jego przedstawiciel w EG (Wspólnota Europejska)/ Κατασκευαστής ή οκνηνονηπιθώλ αληπιξζώπισλ/ Üretici ya da Bölgedeki Yetkili Temsilci/ Proizvajalec ali pooblaščenizastopnik s sedežem v EU/ V'robcaalebozástupca so stálymbydliskom v EU / Изготовитель или его представитель, зарегистрированный в стране Содружества/ Tootjavõõorganisatsioonispainkesindaja/ Ražotājs vai vietējais uzņēmuma pārstāvis / Gamintojas arba šalyje reziduojantis atstovas:
- (5) Date/ Datum/ Data/ Fecha/ datum/ Dato/ päiväys/ Kuupäev/ Datums/ дата/ Datum/ dátum/ tarih/ ημερομηνία
- (6) Authorised signatory/ Im Auftrag/ pour ordre/ Incaricato/ Por orden de/ por procuração/ op last van/ på vegne af/ på uppdrag/ Etteropdrag/ psta./ Ülesandel / pavedus / v.i. / Попоручению / megbízásból / длъжностно лице / z pověřením / z poverenia / po nalogu / napolecenie / din sarcina / adına / θαη' εληπιή

