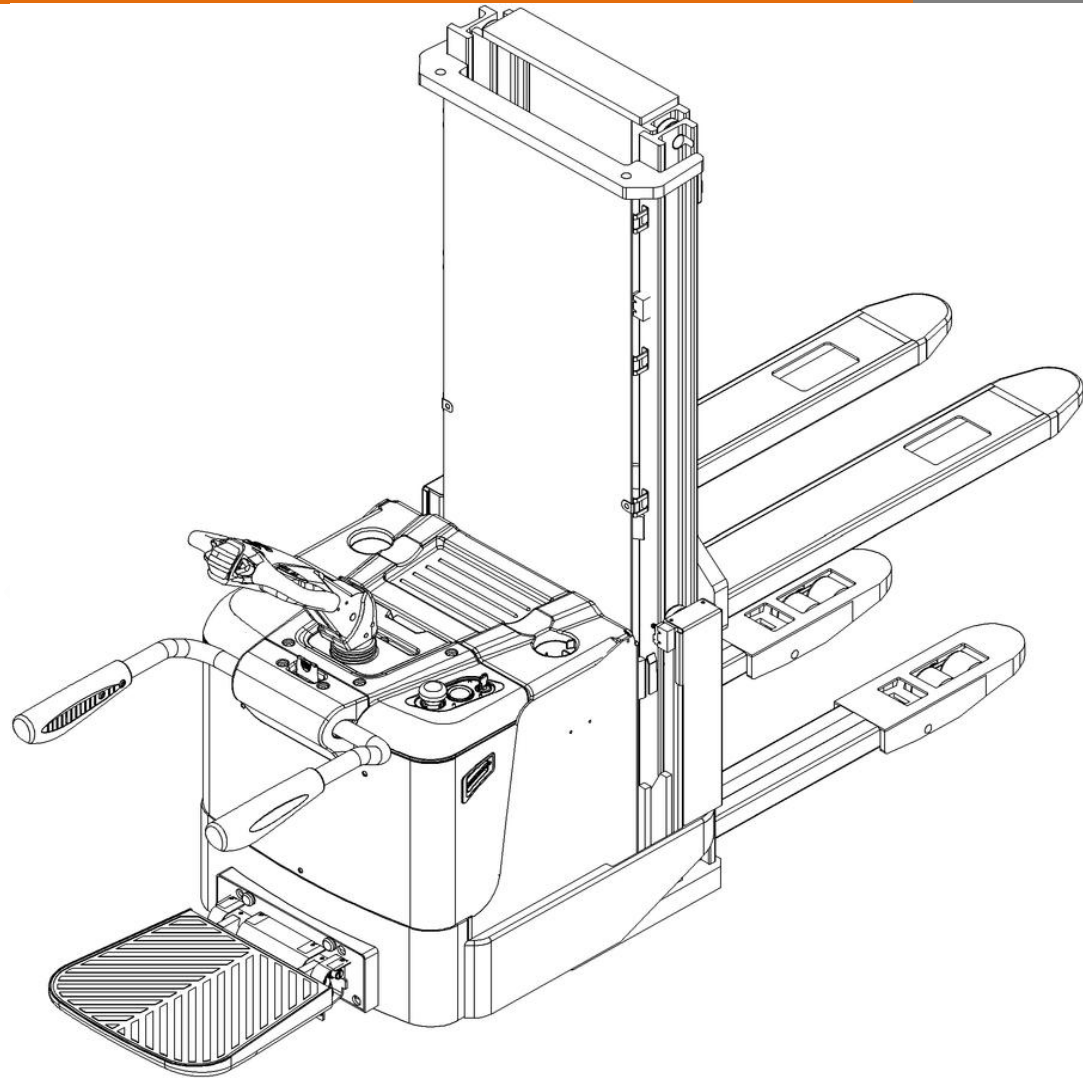


SPAREPARTS LIST

Electric Stacker PS 20D



Version 03/2015

From truck identification number:

30150319996

PS 20D-BPT-001-CHN

Catalogue

Fig. 1 Label (for EU).....	1
Fig. 2 Label (for US).....	2
Fig. 3 Outline (Two-stage mast)	3
Fig. 4 Outline (Two-stage mast Full Free Lift)	5
Fig. 5 Pallet (Two-stage mast Normal/ Two-stage mast Full Free Lift)	6
Fig. 6 Chassis system (Two-stage mast Normal/ Two-stage mast Full Free Lift)	7
Fig. 7 Steering wheel assembly	9
Fig. 8 Push rod assembly	11
Fig. 9 Load roller assembly	13
Fig. 10 Truck body	14
Fig. 11 Power supply	16
Fig. 12 Indicator assembly	17
Fig. 13 Battery cover assembly	19
Fig. 14 Mast system (Two-stage mast Normal/ Full Free Lift)	20
Fig. 15 Mast lifting system (Two-stage mast Normal)	22
Fig. 16 Mast lifting system (Three-stage mast Full Free Lift)	24
Fig. 17 Hydraulic system (Two-stage mast Normal).....	26
Fig. 18 Hydraulic system (Two-stage mast Full Free Lift)	29
Fig. 19 Cylinder (Two-stage mast Normal).....	32
Fig. 20 Cylinder (Two-stage mast Full Free Lift)	34
Fig. 21 Chassis cylinder.....	36
Fig. 22 Manual steering wheel carrier	37
Fig. 23 Electric power assisted steering wheel carrier	39
Fig. 24 Electric steering assembly	41
Fig. 25 Drive wheel assembly 7EL-AC-1.3	43
Fig. 26 26EL-AC-1.3KW-R Drive wheel assembly	47
Fig. 27 Handle arm	51
Fig. 28 CANBUS Handle head.....	53
Fig. 29 Pump station system (3.0KW 3.2 delivery capacity)	55
Fig. 30 Pump station system (2.2KW 2.2 delivery capacity)	57
Fig. 31 Main circuit wiring (Electrical steering)	59
Fig. 32 Main circuit wiring (Manual steering)	60
Fig. 33 General electrical parts	61
Fig. 34 Electric control assembly(Electrical steering).....	63
Fig. 35 Electric control assembly(Manual steering).....	66
Fig. 36 Foldable platform	69
Fig. 37 Protective arm.....	71
Fig. 38 Backrest.....	73
Easy worn parts list.....	74

Fig. 1 Label (for EU)

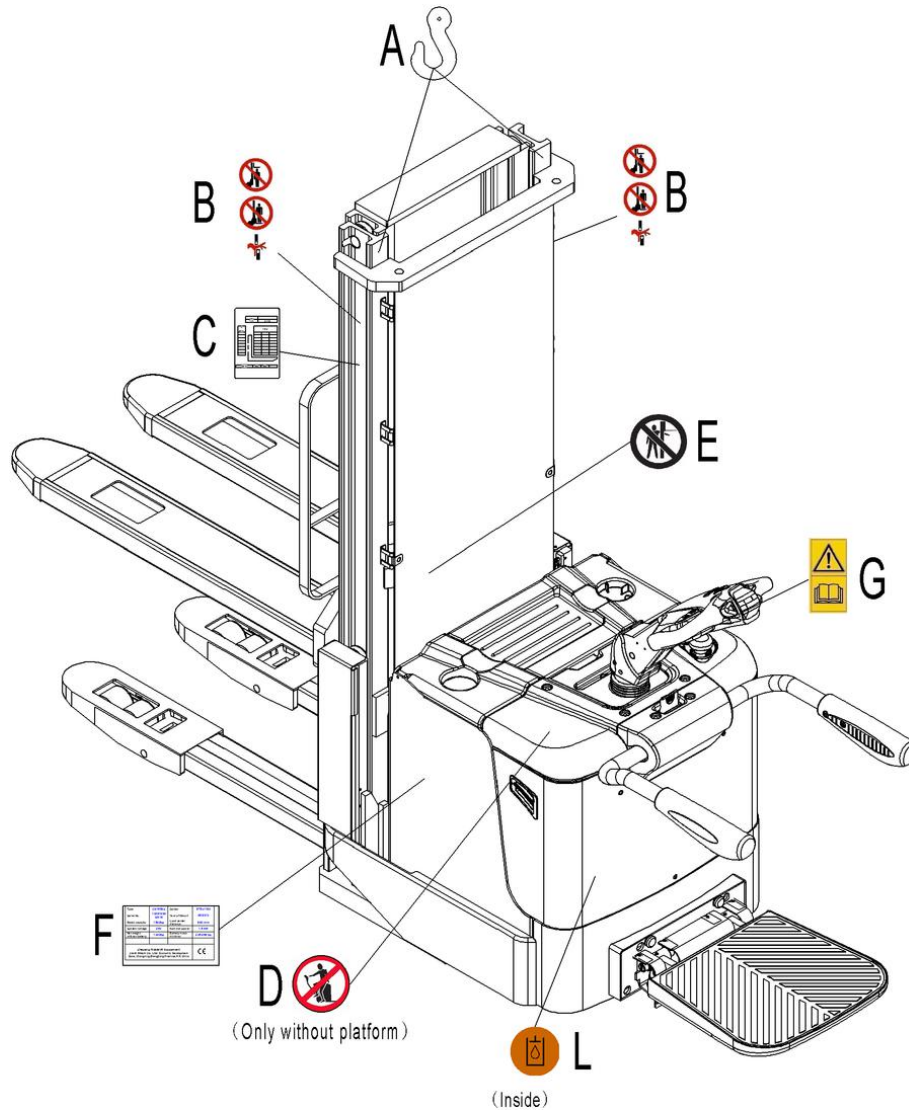


Fig. 1 Label (for EU)

No.	Art No.	Description	Qty.	Note
A	900005967	Crane hook label	2	
B	900003923	Warning decal: Do not step under or on the forks	2	
C	900008650	Residual lift capacity sticker	1	
D	900003573	'No passengers' decal	1	
E	900008561	Never reach through	1	
F	900008649	Identification plate	1	
G	900003570	Sticker to read and follow these instructions	1	
L	900008555	Filling sticker	1	

Fig. 2 Label (for US)

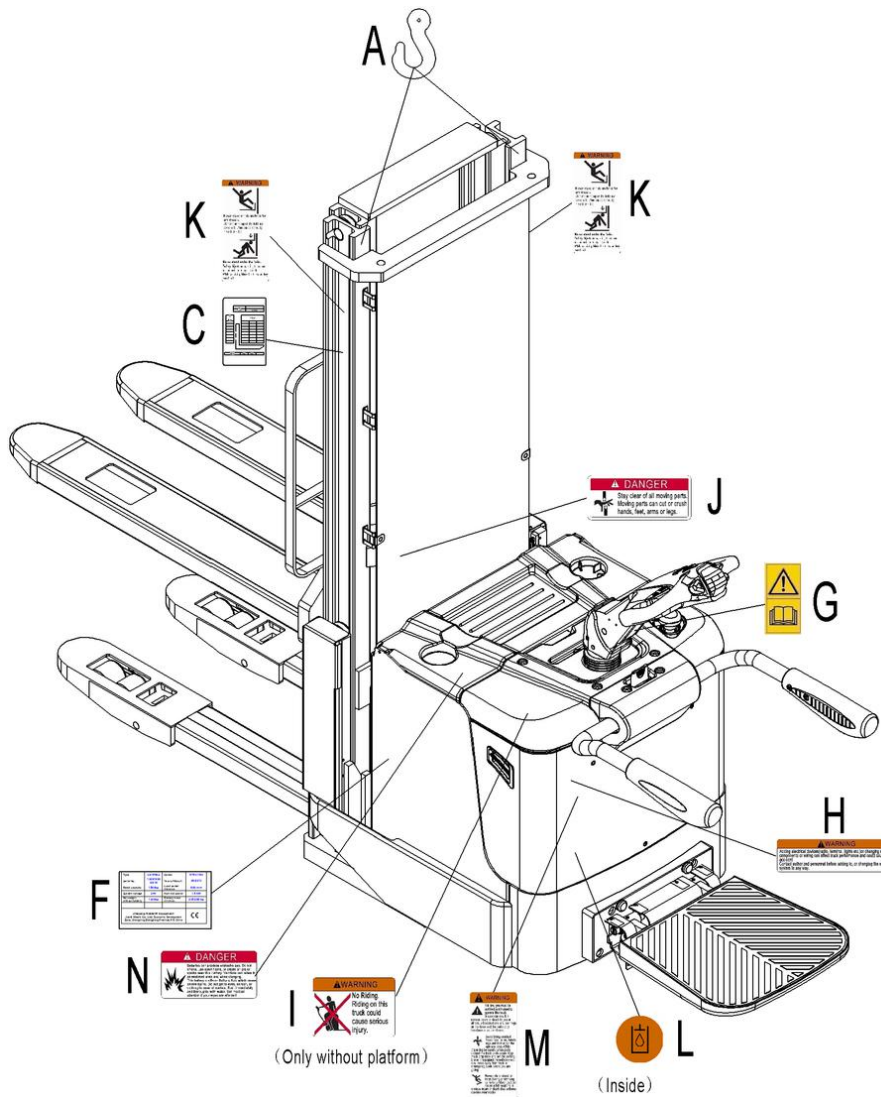


Fig. 2 Label (for US)

No.	Art No.	Description	Qty.	Note
A	9000005967	Crane hook label	2	
B	9000008555	Filling sticker	1	
C	9000008650	Residual lift capacity sticker	1	
D	9000003575	Warning label	1	
E	9000003577	Warning label	1	
F	9000008649	Identification plate (ID-plate)	1	
G	9000003570	Sticker to read and follow these instructions	1	
H	9000003579	Warning label	1	
I	9000003580	Warning label	1	
J	9000005970	Warning label	1	
K	9000005971	Warning label	2	

Fig. 3 Outline (Two-stage mast)

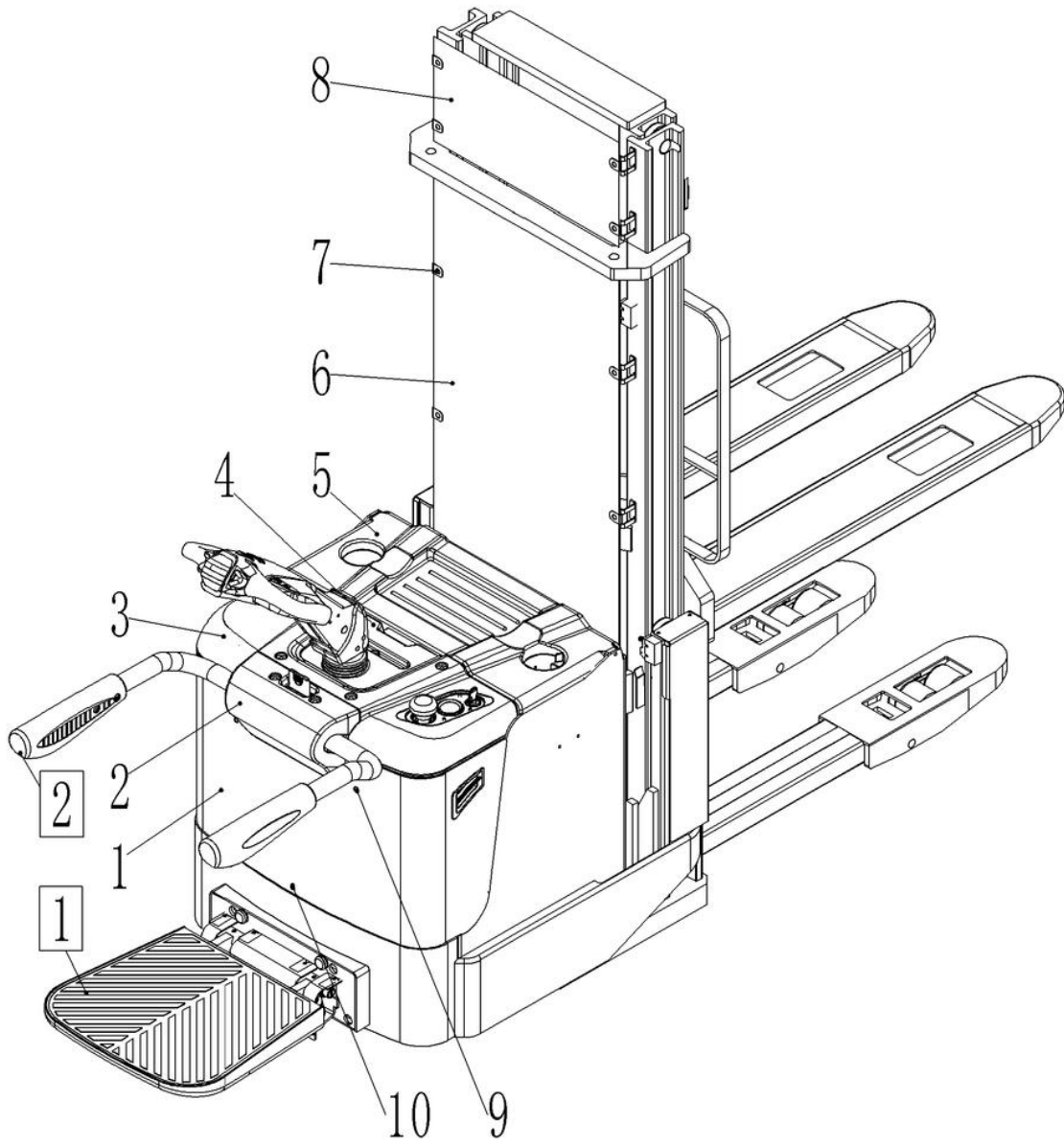


Fig. 3 Outline (Two-stage mast)

No.	Art No.	Description	Qty.	Note
1	9000008061	Main cover	1	
2	9000008063	arm cover	1	With protective arm
	9000008064			Without protective arm
3	9000008062	Upper cover	1	
4	9000008065	Middle cover	1	
5	9000008984	Battery cover	1	
6	9000011709	Protective board	1	2900
	9000011710			3200
	9000011711			3600
	9000011712			4000
7	9000007782	Spring buckle	10	2900 3200 3600
			12	4000
8	9000008972	Upper protective board	1	
9	1000423003	Screw	2	M10×30
10	9000007793	Screw	1	M10×10
①	9000007862	Platform assembly	1	
②	9000007891	Protective arm assembly	1	

Fig. 4 Outline (Two-stage mast Full Free Lift)

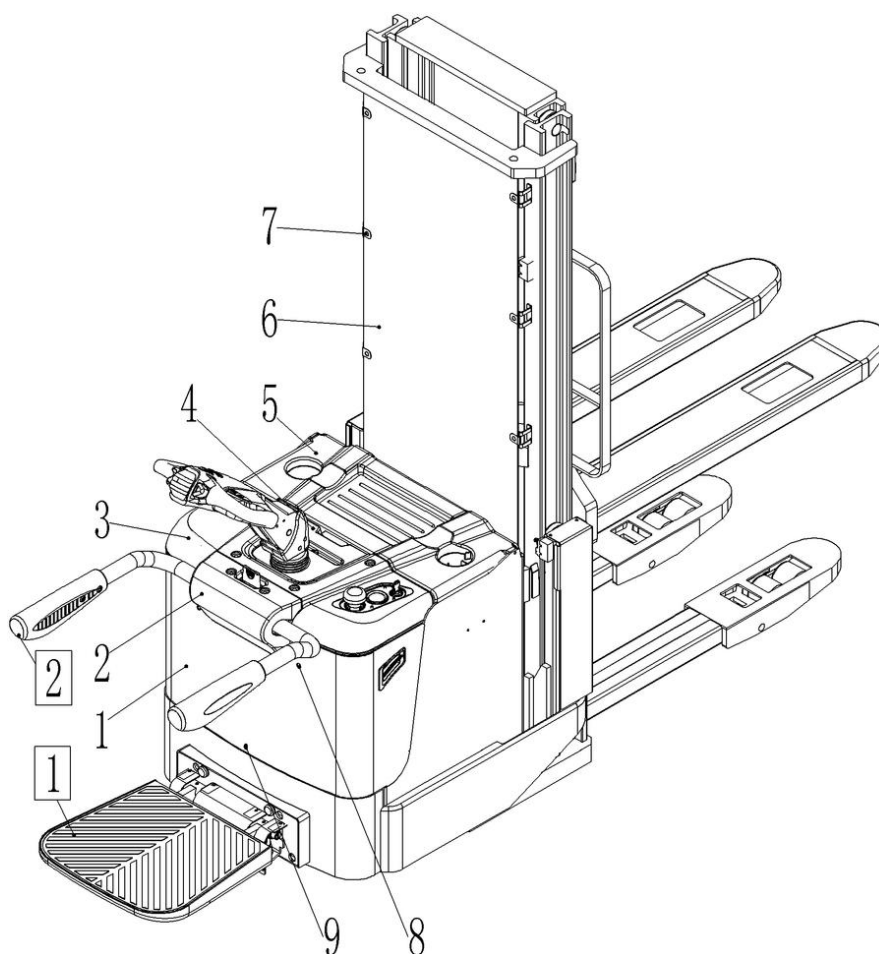


Fig. 4 Outline (Two-stage mast Full Free Lift)

No.	Art No.	Description	Qty.	Note
1	9000008061	Main cover	1	
2	9000008063	Protective arm cover	1	With protective arm
	9000008064			Without protective arm
3	9000008062	Upper cover	1	
4	9000008065	Middle cover	1	
5	9000008984	Battery cover	1	
6	9000011713	Protective board	1	2900
	9000011714			3600
7	9000007782	Spring buckle	8	
8	1000423003	Screw	2	M10×30
9	9000007793	Screw	1	M10×10
1	9000007862	Platform assembly	1	
2	9000007891	Protective arm assembly	1	

Fig. 5 Pallet (Two-stage mast Normal/ Two-stage mast Full Free Lift)

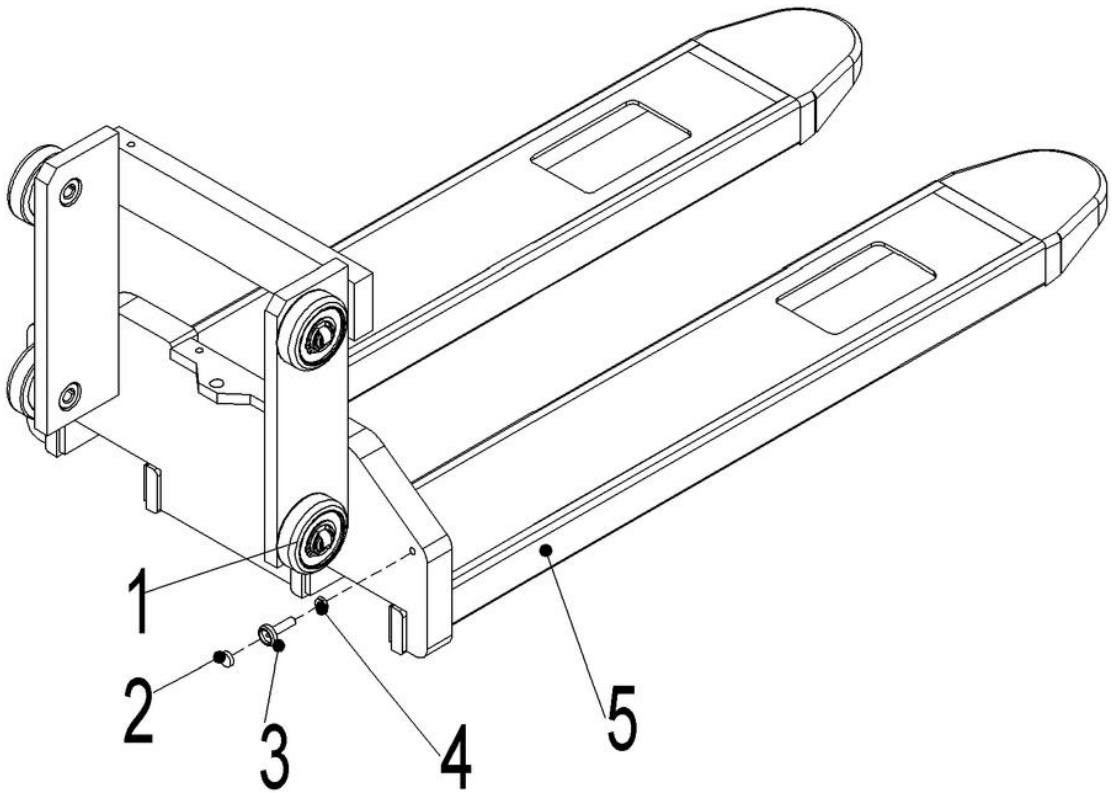


Fig. 5 Pallet (Two-stage mast Normal/ Two-stage mast Full Free Lift)

No.	Art No.	Description	Qty.	Note	Standard
1	2220511001	Compound roller	4		
2	2000435002	Magnet steel	1		
3	9000008079	Magnet steel seat	1		
4	0000024012	Nut	1	M10	GB/T6172.1=ISO4035
5	9000011715	Pallet frame	1	575X1150	
	9000011716			685X1150	

Fig. 6 Chassis system (Two-stage mast Normal/ Two-stage mast Full

Free Lift)

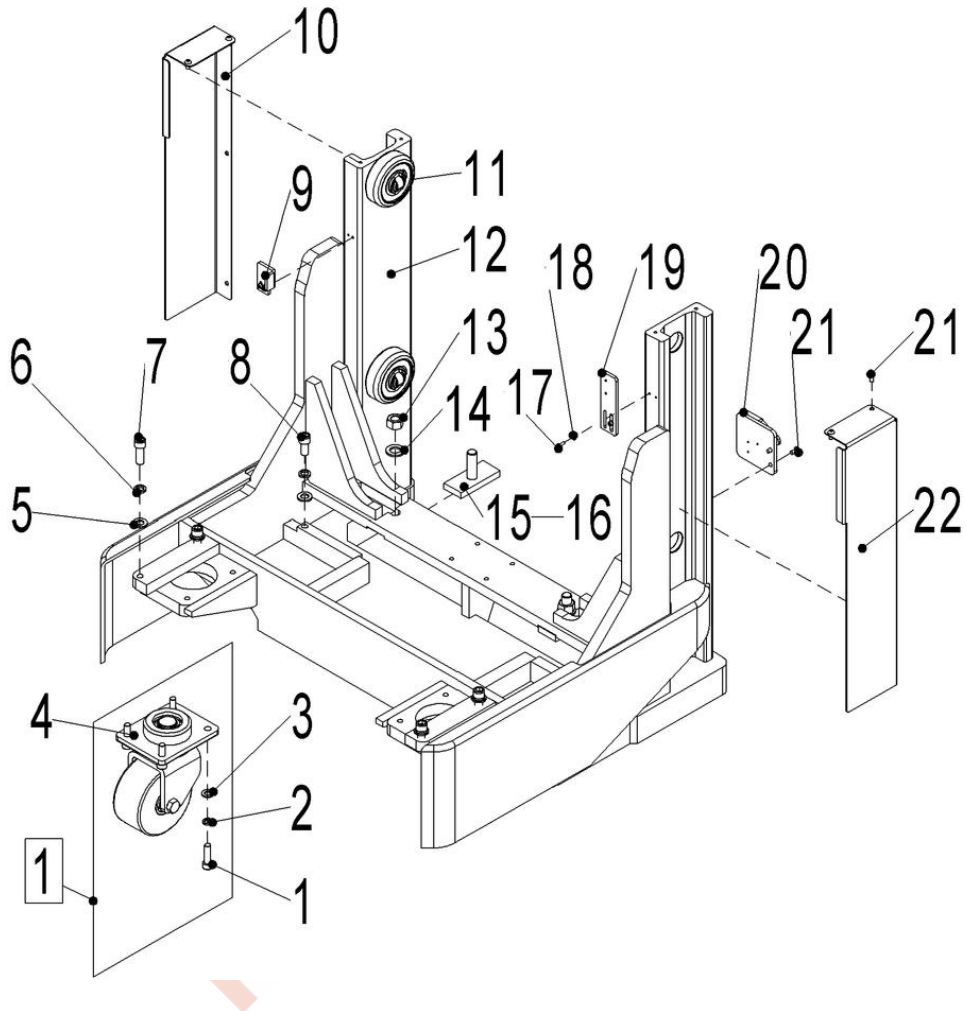


Fig. 6 Chassis System (Two-stage mast Normal/ Two-stage mast Full Free Lift)

No.	Art No.	Description	Qty.	Note	Standard
1	0000023029	Screw	8	M10×35	GB/T70.1=ISO4762
2	0000023006	Washer	8	10	GB/T93
3	0000025002	Washer	8	10	GB/T95
4	2040400001	Steering wheel assembly	2		
5	0000025032	Washer	6	12	GB/T95
6	0000025024	Washer	6	12	GB/T93
7	0000023082	Screw	4	M12x35	GB/T70.1=ISO4762
8	0000023156	Screw	2	M12x25	GB/T70.1=ISO4762
9	9000011744	Sensor bar	1		
10	9000011717	Guard board	1		
11	2220611001	Compound roller	4		
12	9000011718	Pallet	1	575	
	9000011719			685	
13	0000024009	Nut	2	M16	GB/T6170=ISO4032
14	0000025029	Washer	2	16	GB/T95
15	9000011720	Adjusting block	2		
16	9000011721	Base plate	N		
17	0000023056	Screw	4	M4x12	GB/T70.1=ISO4762
18	0000025019	Washer	4	4	GB/T95
19	9000011722	Adjusting block	1		
20	9000011723	Assembly board	1		
21	0000023045	Screw	10	M6x12	GB/T70.2=ISO7380
22	9000011724	Guard board	1		
①	9000010408	Steering wheel kit	2		

Fig. 7 Steering wheel assembly

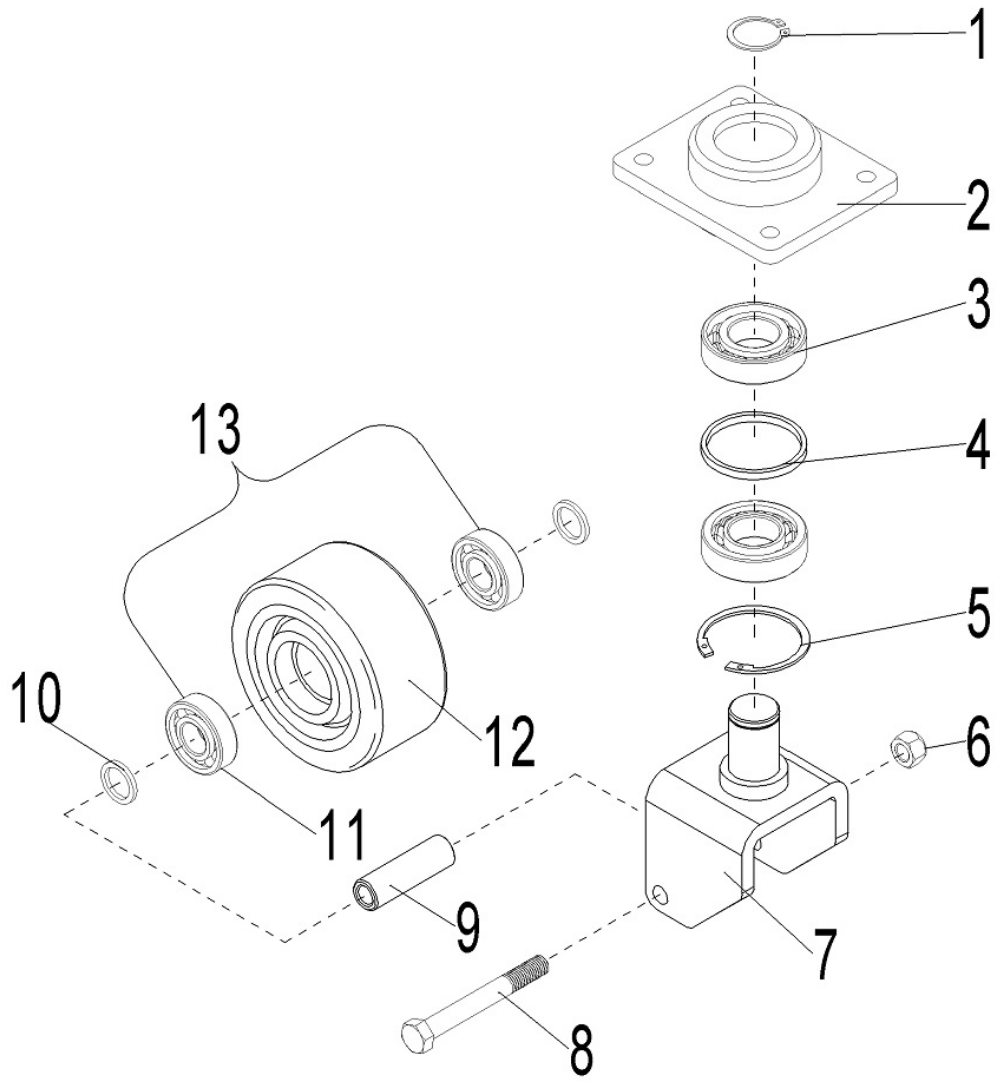


Fig. 7 Steering Wheel Assembly

No.	Parts No.	Item	Qty.	Note	Standard
1	0000026008	Circlip	1	30	GB/T894.1
2	2000405001	Bearing seat	1		
3	0000027013	Bearing	2	7206C/DB	GB/T292
4	2000413001	Sleeve	1		
5	0000026010	Circlip	1	62	GB/T893.1
6	0000024015	Lock nut	1	M14	GB/T889.1=ISO7040
7	2000401007	Rear wheel carrier	1		
8	0000023111	Bolt	1	M14×100	GB/T5782=ISO4014
9	2000413002	Bushing	1		
10	1000525001	Washer	2		
11	0000027001	Bearing	2	6204	GB/T276
12	2020416001	Castor	1	124×60	
13	9000003638	Castor	2		

Fig. 8 Push rod assembly

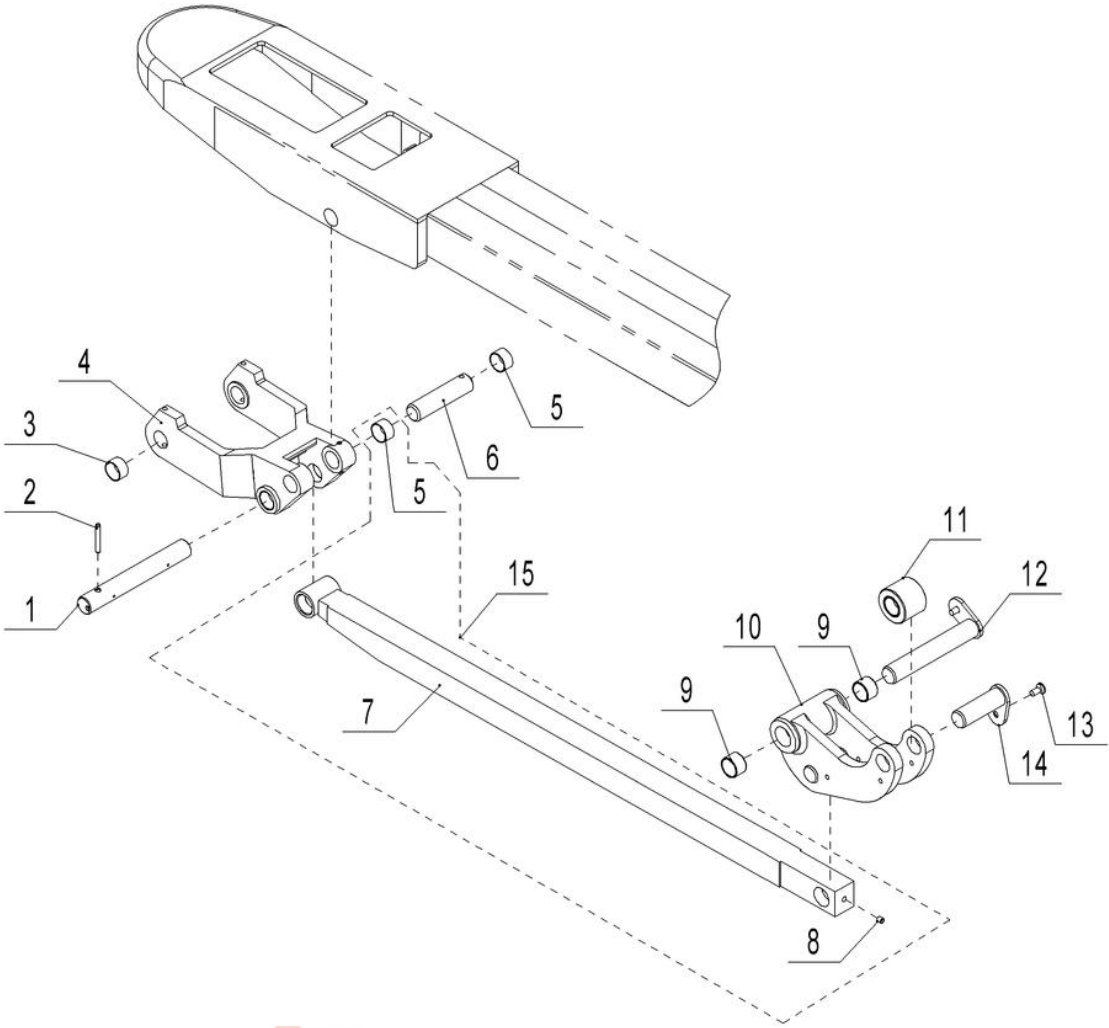


Fig. 8 Push Rod Assembly

No.	Art No.	Description	Qty.	Note	Standard
1	9000011725	Lever block axle	2		
2	0000028009	Dowel pin	4	5x35	GB/T879.1=ISO8752
3	0000013002	Harness	4	20X22X12	
4	9000011726	Frame of roller	2		
5	0000027005	Bushing	16	20X22X12	
6	9000011727	Push rod axle	2		
7	9000011728	Push rod	2		
8	0000030001	Grease nipple	8	6	JB/T7940.4=ISOB1575
9	1000413001	Bushing	4	20X23X15	
10	9000011729	Large steel plate	2		
11	9000008631	roller	2		
12	9000011730	Fixing axle assembly	2		
13	1000523002	Screw	6	M6X14	
14	9000008465	Fixing axle	4		
15	9000011731	Push rod kit	2	1150	

Fig. 9 Load roller assembly

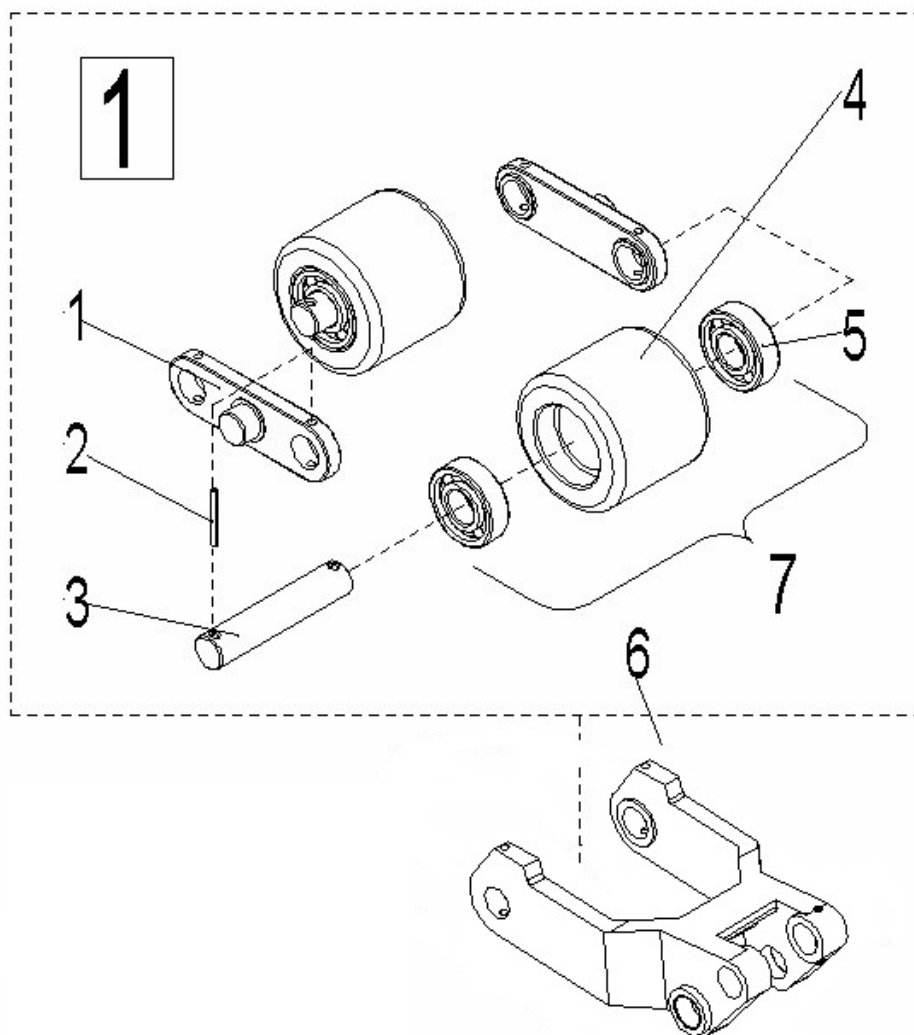


Fig. 9 Load Roller Assembly

No.	Parts No.	Item	Qty.	Note	Standard
1	2000405002	Linking plate	2		
2	0000028009	Dowel pin	4	5×35	GB/T879.1=ISO8752
3	2000407001	Castor axle	2		
4	2000416002	Load roller	2	80×70	
5	0000027001	Bearing	4	6204	GB/T276
6	0000030001	Grease nipple	2	6	JB/T7940.4=ISOB1575
7	9000010398	Load roller set	2		
①	2000600001	Load roller assembly	2		

Fig. 10 Truck body

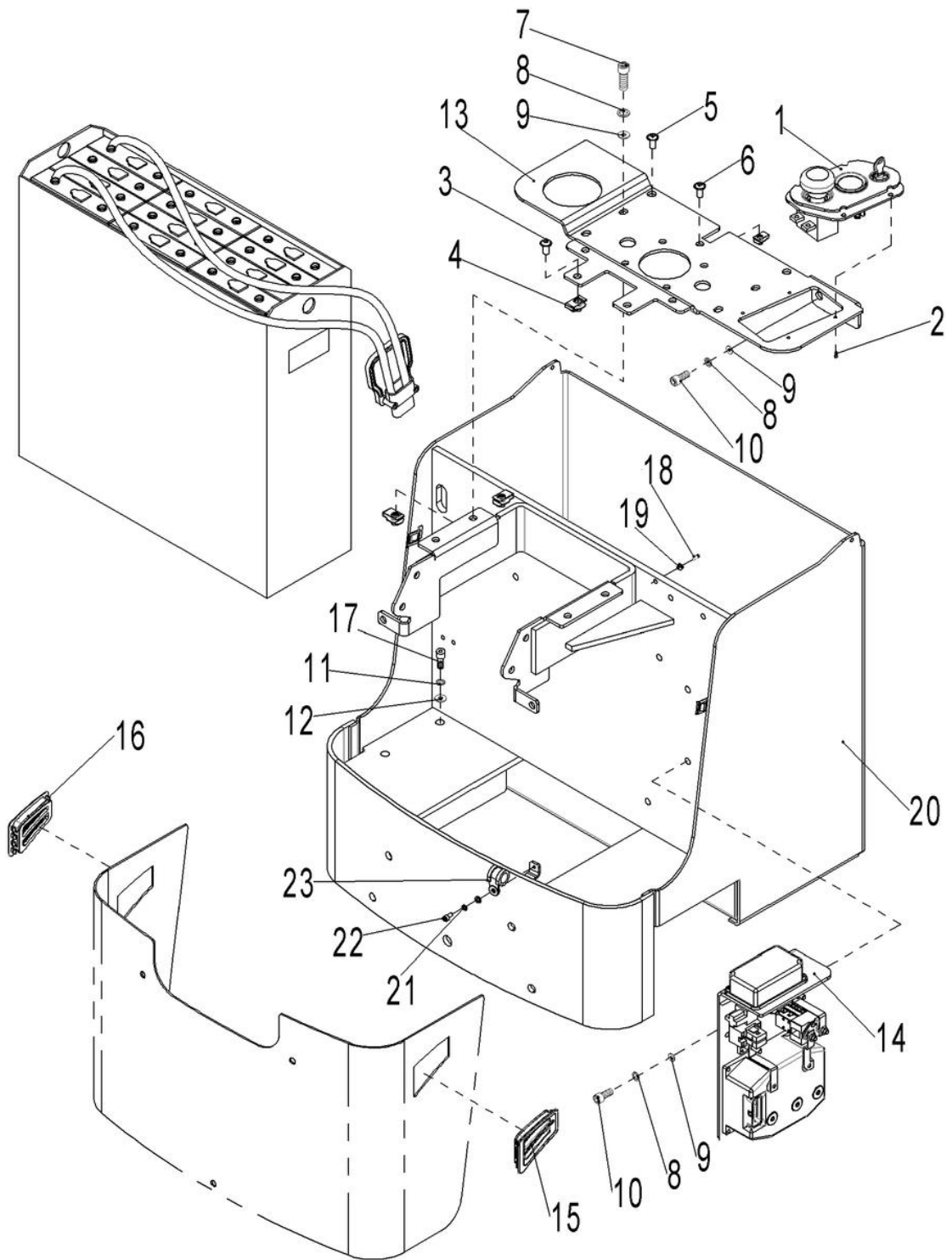


Fig. 10 Truck Body

No.	Parts No.	Item	Qty.	Note	Standard
1	9000007940	Indicator assembly	1		
2	0000023020	Screw	4	M6×20	GB/T70.1=ISO4762
3	9000007791	Screw	4	M10×35	
4	9000007783	Nut	13	M10	
5	9000007790	Screw	2	M10×55	
6	1000423003	Screw	1	M10×30	
7	0000023029	Screw	4	M10×35	GB/T70.1=ISO4762
8	0000023006	Washer	8	10	GB/T93
9	0000025002	Washer	8	10	GB/T95
10	0000023034	Screw	4	M10×20	GB/T70.1=ISO4762
11	0000025024	Washer	4	12	GB/T93
12	0000025032	Washer	4	12	GB/T95
13	9000008240	Board	1		
14	9000008069	Electronic control assembly board	1		
15	9000007923	Right vent assembly	1		
16	9000007920	Left vent assembly	1		
17	0000023082	Screw	4	M12×35	GB/T70.1=ISO4762
18	0000023455	Screw	2	M8×35	GB/T70.1=ISO4762
19	0000024026	Nut	2	M8	GB/T6170=ISO4032
20	9000008241	Truck body	1	Three-stage mast	
	9000009082			Two-stage mast	
21	0000025010	Washer	1	6	GB/T93
22	0000023053	Screw	1	M6x12	GB/T70.1=ISO4762
23	9000009545	YGE hose clamp	1		

Fig. 11 Power supply

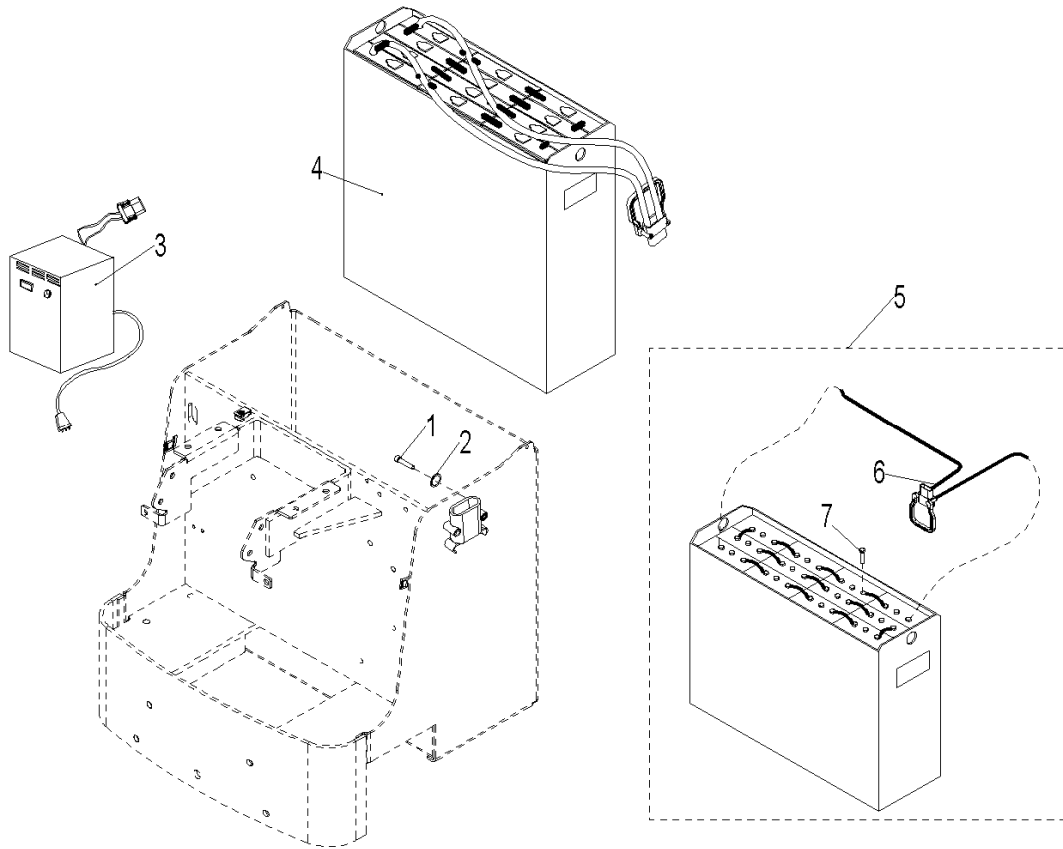


Fig. 11 Power Supply

No.	Art No.	Description	Qty.	Note	Standard
1	0000023106	Screw	2	M6×30	GB/T70.1=ISO4762
2	0000023055	Washer	2	6	GB/T95
3	9000010116	Charger 24V/30A	1	Asia in Chinese	
	9000010117			Asia in English	
	9000010118			For EU	
	9000010120			For AUS	
	9000010121			For UK	
	9000010146			For USA	
4	9000009083	Power supply (210Ah)	1	welded type	
	9000003990			bolt type	
5	9000008585	Connector assembly (210Ah)	1	Only used for	
6	9000009832	Screw	24	bolt type battery	

Fig. 12 Indicator assembly

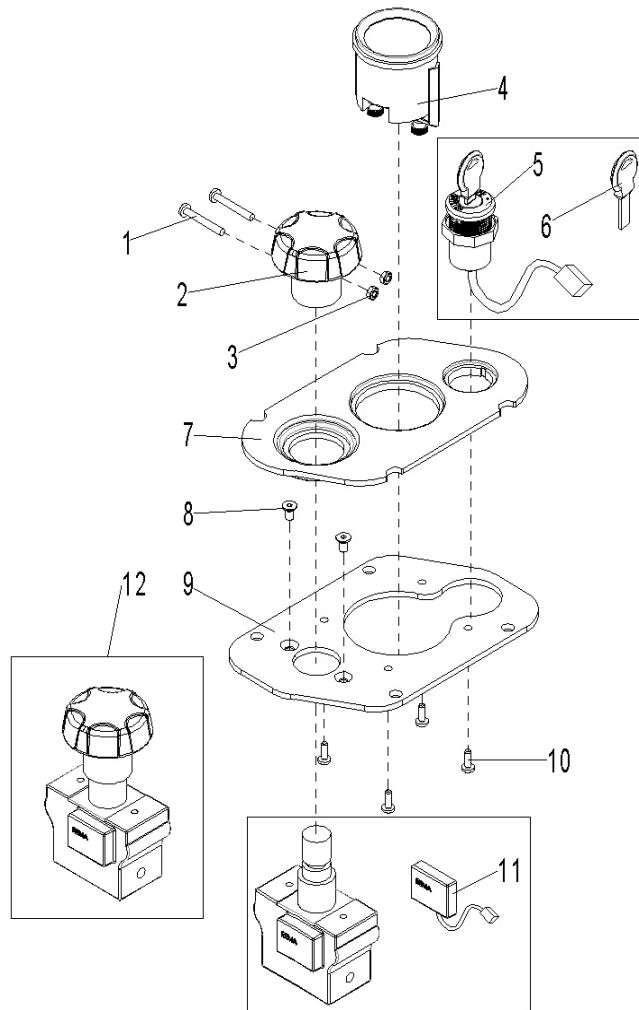


Fig. 12 Indicator Assembly

No.	Parts No.	Description	Qty.	Note	Standard
1	0000023685	Screw	2	M3×25	GB/T818-2000=ISO7045
2	9000008516	DC power switch	1	ZDK32-350	
3	0000024002	Nut	2	M3	GB/T6170=ISO4032
4	1000434025	Indicator	1	CURTIS 803	
5	9000008326	Key switch	1	LKS-101A	
6	9000008519	Key	1		
7	9000007938	Plastic plate	1		
8	0000023215	Screw	2	M5×10	GB/T70.3=ISO10642
9	9000007939	Fixing plate	1		
10	0090000272	Screw	4	M4×12	GB/T6560
11	9000008517	Micro switch	1		
12	9000008515	DC power switch	1	ZDK32-350	

Fig. 13 Battery cover assembly

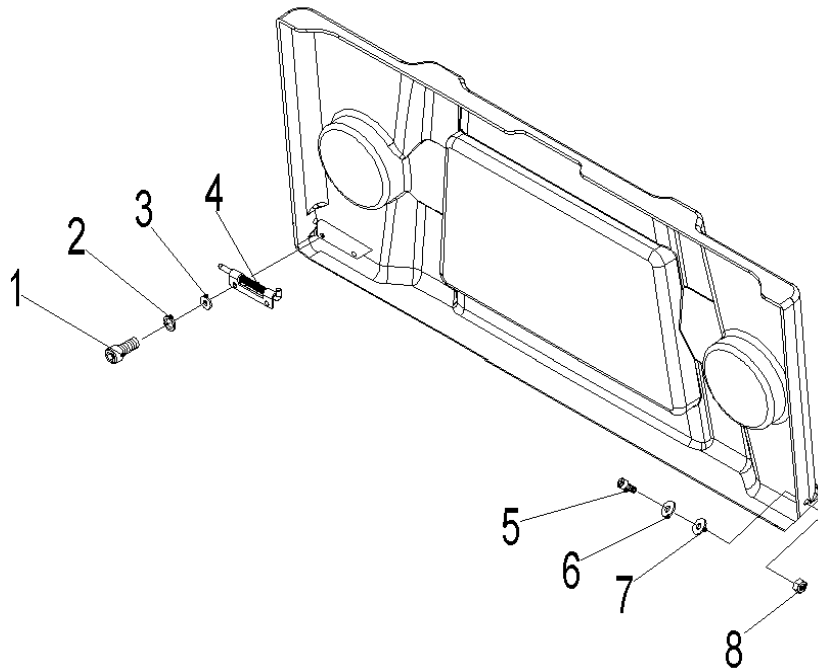


Fig. 13 Battery Cover Assembly

No.	Parts No.	Item	Qty.	Note	Standard
1	0000023073	Screw	2	M4×10	GB/T70.1=ISO4762
2	0000025018	Washer	2	4	GB/T93
3	0000025019	Washer	2	4	GB/T95
4	9000008795	Pin	1		
5	0000023306	Screw	1	M5×20	GB/T70.1=ISO4762
6	0000025015	Washer	1	5	GB/T93
7	0000025014	Washer	1	5	GB/T95
8	0090000636	Nut	1	M5	GB/T6172.1=ISO4035

Fig. 14 Mast system (Two-stage mast Normal/ Full Free Lift)

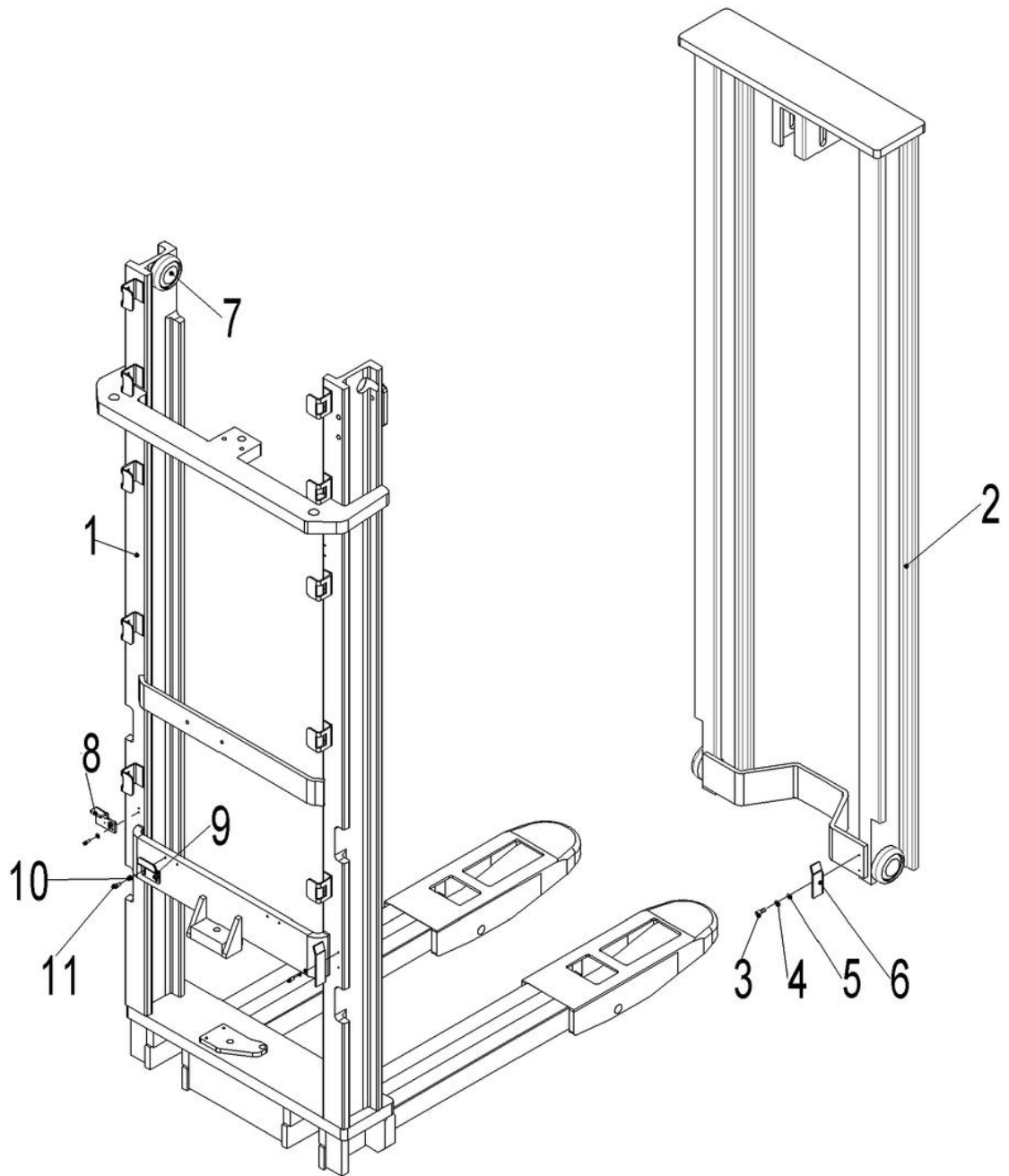


Fig. 14 Mast System (Two-stage mast Normal/ Full Free Lift)

No.	Art No.	Description	Qty.	Note	Standard
1	9000011734	Mast	1	Normal, 2900;575x1150	
	9000011735			Normal, 3200;575x1150	
	9000011736			Normal, 3600;575x1150	
	9000011737			Normal, 4000;575x1150	
	9000011738			Normal, 2900;685x1150	
	9000011739			Normal, 3200;685x1150	
	9000011740			Normal, 3600;685x1150	
	9000011741			Normal, 4000;685x1150	
	9000011742			Full Free, 2900;575x1150	
	9000011743			Full Free, 3600;575x1150	
	9000011745			Full Free, 2900;685x1150	
	9000011746			Full Free, 3600;685x1150	
2	9000008973	Mast	1	Normal, 2900	
	9000008974			Normal, 3200	
	9000008975			Normal, 3600	
	9000008976			Normal, 4000	
	9000008999			Full Free, 2900	
	9000009000			Full Free, 3600	
3	0000023056	Screw	6	M4x12	GB/T70.1=ISO4762
4	0000025018	Washer	4	4	GB/T93
5	0000025019	Washer	6	4	GB/T95
6	9000008981	Limit block	2		
7	2040511001	Compound roller	4		
8	9000011744	Sensor bar	1		
9	9000009080	protective plate	2		
10	0000025014	Washer	4	5	GB/T95
11	0000023311	Screw	4	M5x10	GB/T70.1=ISO4762
12	0000023067	Screw	2	M8x16	GB/T70.1=ISO4762
13	9000011772	damping pad	2		

Fig. 15 Mast lifting system (Two-stage mast Normal)

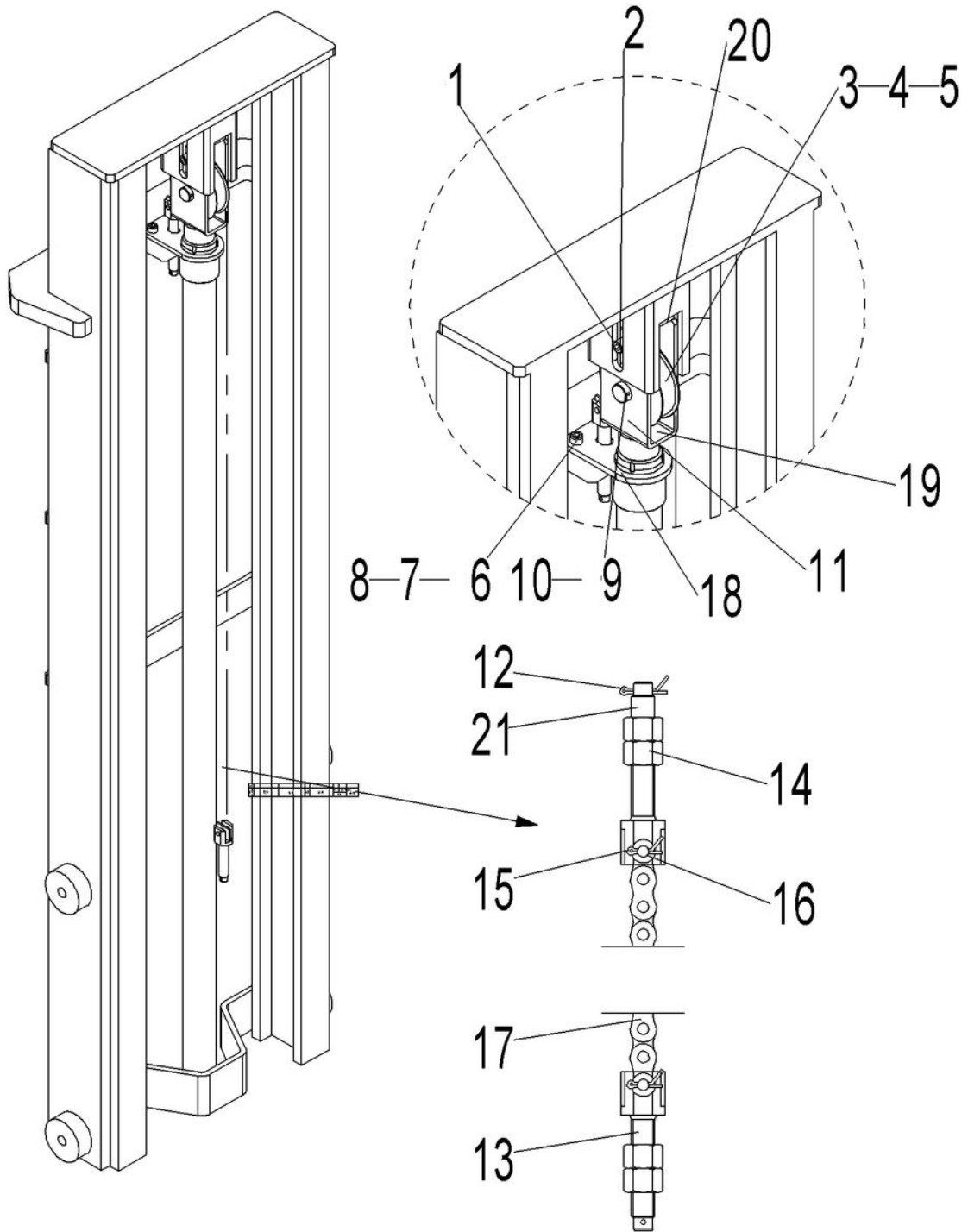


Fig. 15 Mast Lifting System (Two-stage mast Normal)

No.	Parts No.	Item	Qty.	Note	Standard
1	0000023510	Screw	2	M16x35	GB/T77=ISO4026
2	0000024014	Nut	2	M16x1.5	GB/T6173=ISO8675
3	2010310001	Chain wheel	1		
4	0000027012	Bearing	2	6206	GB/T276
5	2000302002	Adjusting washer	2	2	
6	0000023158	Screw	2	M10x30	GB/T70.1=ISO4762
7	0000023006	Washer	2	10	GB/T93
8	0000025002	Washer	2	10	GB/T95
9	2030301001	Chain wheel axle assembly	1		
10	0000023103	Screw	1	M6x8	GB/T70.3=ISO10642
11	2010305001	Chain wheel carrier	1		
12	0000028011	Split pin	2	3x40	GB/T91=ISO1234
13	9000008983	Chain pulling bar	1		
14	0000024042	Nut	2	M16x1.5	GB/T6171=ISO8673
15	0000028010	Split pin	2	2x20	GB/T91=ISO1234
16	0000028014	Hinge pin	2	8x40	GB/T882=ISO2341
17	0000029012	Chain LH1244x91	1	2900	GB/T6074=ISO4347
	0000029013	Chain LH1244x99		3200	GB/T6074=ISO4347
	0000029014	Chain LH1244x109		3600	GB/T6074=ISO4347
	0000029015	Chain LH1244x119		4000	GB/T6074=ISO4347
18	2010302001	Cylinder fixing plate	1		
19	0000023101	Bolt	1	M12x25	GB/T5783=ISO4017
20	2010319001	Damping pad	1		
21	9000009005	Chain pulling bar	1		

Fig. 16 Mast lifting system (Three-stage mast Full Free Lift)

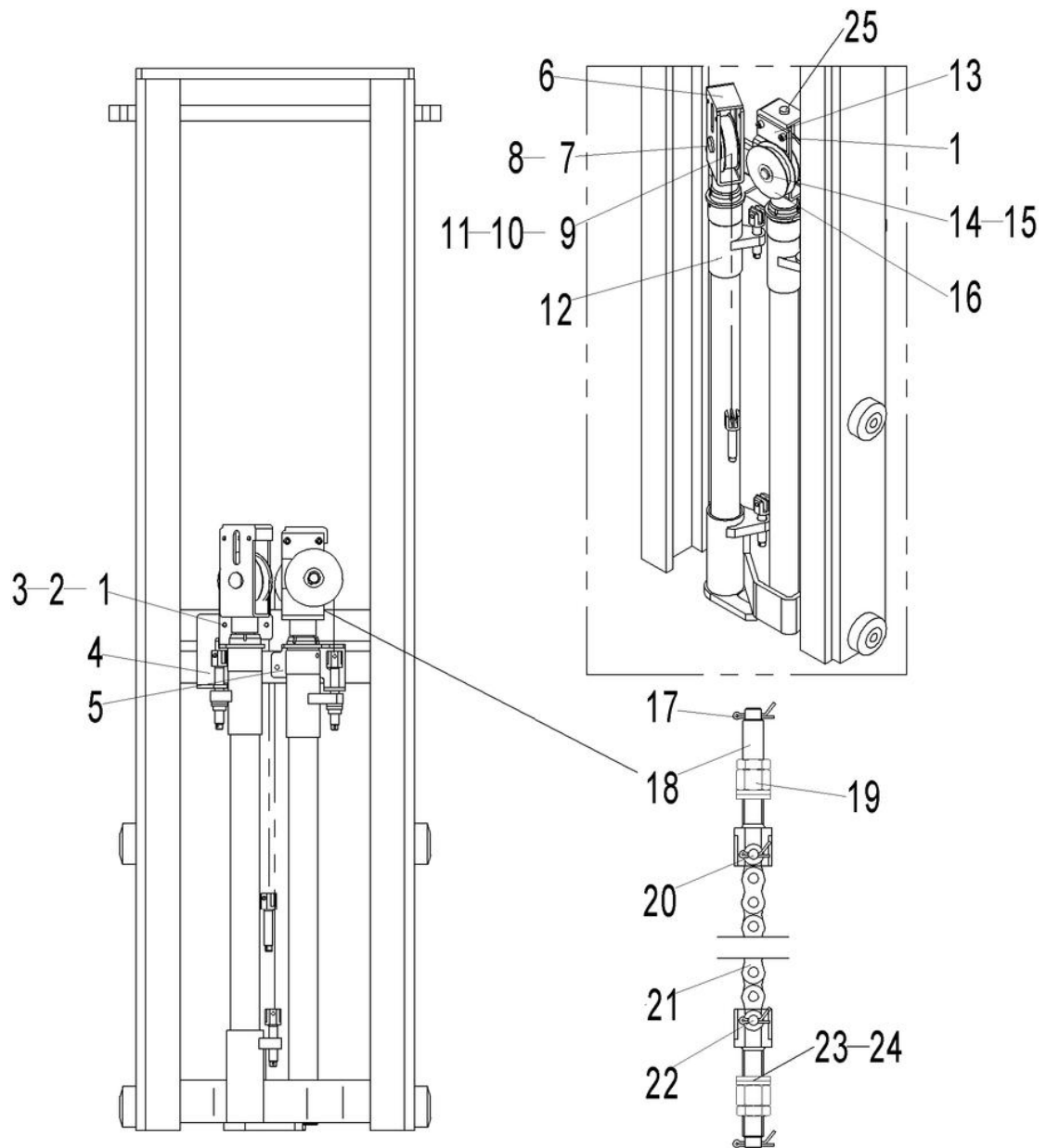


Fig. 16 Mast Lifting System (Three-stage mast Full Free Lift)

No.	Parts No.	Item	Qty.	Note	Standard
1	0000023067	Screw	8	M8x16	GB/T70.1=ISO4762
2	0000025001	Washer	6	8	GB/T93
3	0000025011	Washer	6	8	GB/T95
4	9000009003	Holder	1	1	
5	9000009002	Holder	1	2	
6	2010305001	Chain wheel carrier	2		
7	2030301001	Chain wheel axle assembly	2		
8	0000023103	Screw	2	M6x8	GB/T70.3=ISO10642
9	2010310001	Chain wheel	2		
10	0000027012	Bearing	4	6206	GB/T276
11	2000302002	Adjusting washer	4	2	
12	9000009001	Pulling bar seat	2		
13	2000301002	Pulley carrier	1		
14	0000025031	Washer	1	20	GB/T95
15	0000026003	Circlip	1	20	GB/T894.1
16	2000310002	Pulley	1		
17	0000028011	Split pin	4	3x40	GB/T91=ISO1234
18	9000009005	Chain pulling bar	4		
19	0000024042	Nut	8	M16x1.5	GB/T6171=ISO8673
20	0000028010	Split pin	8	2x20	GB/T91=ISO1234
21	0090000484	Chain LH1244x61	2	2900	GB/T6074=ISO4347
	0000029017	Chain LH1244x69		3600	GB/T6074=ISO4347
22	0000028060	Short axle	4	8x35	GB/T882=ISO2341
23	0000025098	Washer	4	16	GB/T849
24	0000025099	Washer	4	16	GB/T850
25	2010319001	Damping pad	2		

Fig. 17 Hydraulic system (Two-stage mast Normal)

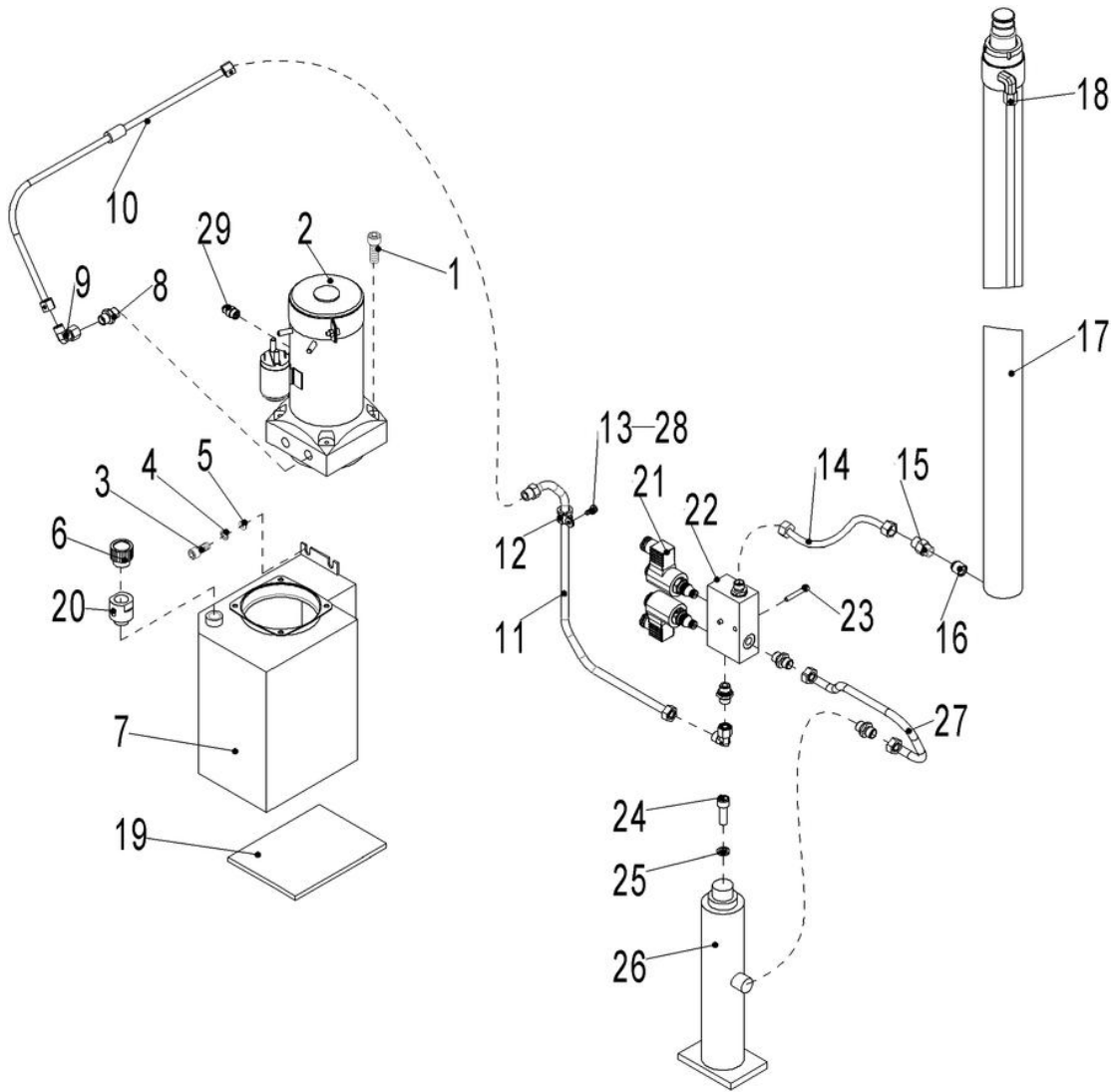


Fig. 17 Hydraulic System (Two-stage mast Normal)

No.	Art No.	Description	Qty.	Note	Standard
1	0000023090	Screw	4	M6×35	GB/T70.1=ISO4762
2	9000008867	DC power unit	1	3200/3600/4000	
	9000007854	DC power unit		2900	
3	0000023044	Screw	2	M8×20	GB/T70.1=ISO4762
4	0000025001	Washer	2	8	GB/T93
5	0000025011	Washer	2	8	GB/T95
6	2000303001	Hydraulic cylinder cover	1		
7	9000008249	Cylinder	1		
8	9000007832	G straight joint	1		
9	9000007838	Steering linking joint	2		
10	9000010282	Special hose assembly	1		
11	9000008987	Steel pipe	1		
12	9000008324	YGE hose clamp	3		
13	0000023042	Screw	3	M6×10	GB/T70.1=ISO4762
14	9000011708	Special hose assembly	1		
15	9000007842	Straight joint	5		
16	2000337001	Safety valve	2		
17	9000008960	Cylinder assembly	1	2900	
	9000008961			3200	
	9000008962			3600	
	9000008963			4000	
18	9000011747	Oil return hose	1	2900	
	9000011748			3200	
	9000011749			3600	
	9000011750			4000	
19	9000010307	Anti-vibration pad	1		
20	2010317003	Joint	1		
21	2370434002	Solenoid valve	2		
22	9000011751	Hydraulic valve	1		
23	0090000020	Screw	2	M6x40	GB/T70.1=ISO4762
24	0000023082	Screw	1	M12x35	GB/T70.1=ISO4762
25	0000025024	Washer	1	12	GB/T93
26	9000011752	Chassis cylinder assembly	1		

27	9000011753	Chassis cylinder steel pipe	1		
28	0000023055	washer	3	6	GB/T95
29	9000011773	throttle valve	1		

NOBUFT 诺力

Fig. 18 Hydraulic system (Two-stage mast Full Free Lift)

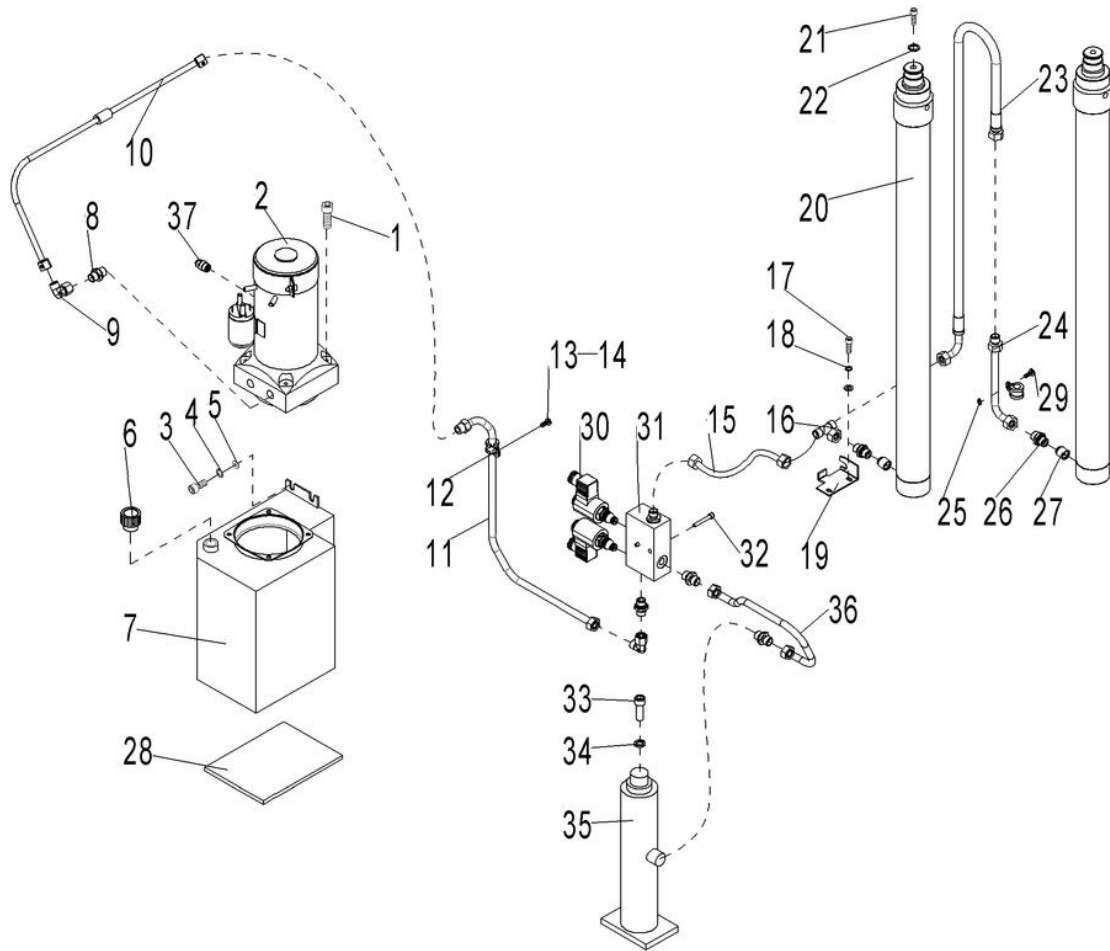


Fig. 18 Hydraulic System (Two-stage mast Full Free Lift)

No.	Art No.	Description	Qty.	Note	Standard
1	0000023090	Screw	4	M6×35	GB/T70.1=ISO4762
2	9000008867	DC power unit	1	3600	
	9000007854			2900	
3	0000023044	Screw	2	M8×20	GB/T70.1=ISO4762
4	0000025001	Washer	2	8	GB/T93
5	0000025011	Washer	2	8	GB/T95
6	2000303001	Hydraulic cylinder cover	1		
7	9000008249	Cylinder	1		
8	9000007832	G straight joint	1		
9	9000007838	Steering linking joint	2		
10	9000010282	Special hose assembly	1		
11	9000008987	Steel pipe	1		
12	9000008325	YGE hose clamp	4		
13	0000023042	Screw	3	M6×10	GB/T70.1=ISO4762
14	0000023055	Washer	6	6	GB/T95
15	9000011708	Special hose assembly	1		
16	9000008887	T steering linking joint	1		
17	0000023053	Screw	2	M6x12	GB/T70.1=ISO4762
18	0000025010	Washer	2	6	GB/T93
19	2000302005	Oil hose pallet	1		
20	9000008992	Cylinder assembly	2	2900	
	9000008993			3200	
21	0000023101	Bolt	2	M12x25	GB/T5783=ISO4017
22	0000025032	Washer	2	12	GB/T95
23	9000008888	90° hydraulic hose assembly	1	2900	
	9000005537			3600	
24	9000009004	Steel pipe	1		
25	0000024068	Nut	1	M6	GB/T6170=ISO4032
26	9000007842	Straight joint	6		
27	2000337001	Safety valve	3		
28	9000010307	Anti-vibration pad	1		
29	0000023310	Bolt	1	M6x20	GB/T5783=ISO4017
30	2370434002	Solenoid valve	2		
31	9000011751	Hydraulic valve	1		

32	0090000020	Screw	2	M6x40	GB/T70.1=ISO4762
33	0000023082	Screw	1	M12x35	GB/T70.1=ISO4762
34	0000025024	Washer	1	12	GB/T93
35	9000011752	Chassis cylinder assembly	1		
36	9000011753	Chassis cylinder steel pipe	1		
37	9000011773	throttle valve	1		

NOBU LIFT 诺力

Fig. 19 Cylinder (Two-stage mast Normal)

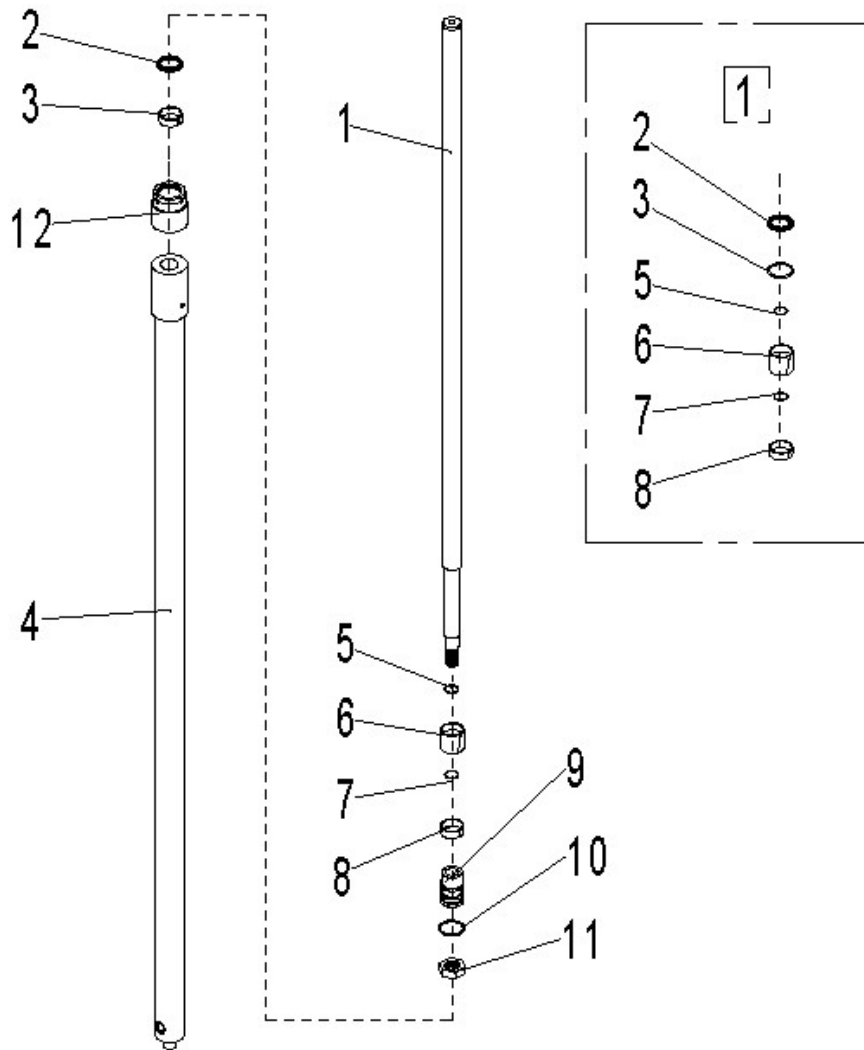


Fig. 19 Cylinder (Two-stage mast Normal)

No.	Parts No.	Item	Qty.	Note	Standard
1	9000009922	Piston rod	1	2900	
	9000009923			3200	
	9000009924			3600	
	9000009925			4000	
2	9000009926	Dust cover	1	40x48x5/6.5	
3	9000009927	Support ring of axle	1	40X44X10	
4	9000009928	Cylinder	1	2900	
	9000009929			3200	
	9000009930			3600	
	9000009931			4000	
5	9000009932	O ring	1	44.4X3.1	
6	9000009933	Support ring of hole	1	45X50X10	
7	9000009934	O ring	2	24.4X3.1	
8	9000009178	Y ring of hole	1	40X50X6/7	
9	9000009935	Piston	1		
10	0000025100	Washer	1	24	GB/T93
11	0000024072	Nut	1	M24x1.5	GB/T6171=ISO8673
12	9000009936	Cover	1		
①	9000009943	Cylinder seal kit	1		

Fig. 20 Cylinder (Two-stage mast Full Free Lift)

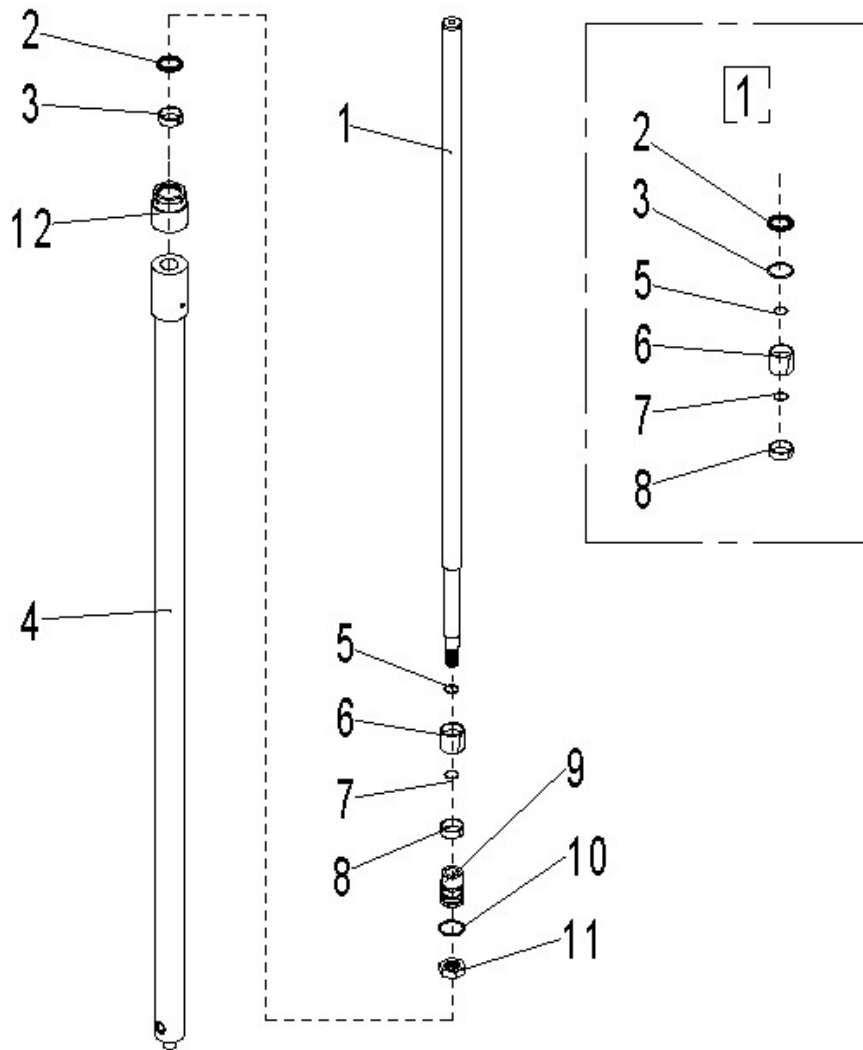


Fig. 20 Cylinder (Two-stage mast Full Free Lift)

No.	Parts No.	Item	Qty.	Note	Standard
1	9000009937	Piston rod	1	2900	
	9000009938			3600	
2	9000009926	Dust cover	1	40x48x5/6.5	
3	9000009927	Support ring of axle	1	40X44X10	
4	9000009939	Cylinder body	1	2900	
	9000009940			3600	
5	9000009932	O ring	1	44.4X3.1	
6	9000009933	Support ring of hole	1	45X50X10	
7	9000009934	O ring	2	24.4X3.1	
8	9000009178	Y ring of hole	1	40X50X6/7	
9	9000009941	Piston	1		
10	0000025033	Washer	1		GB/T93
11	0000024074	Nut	1	M20x1.5	GB/T6171=ISO8673
12	9000009942	Guide bushing	1		
□	9000009944	Cylinder seal kit	2		

Fig. 21 Chassis cylinder

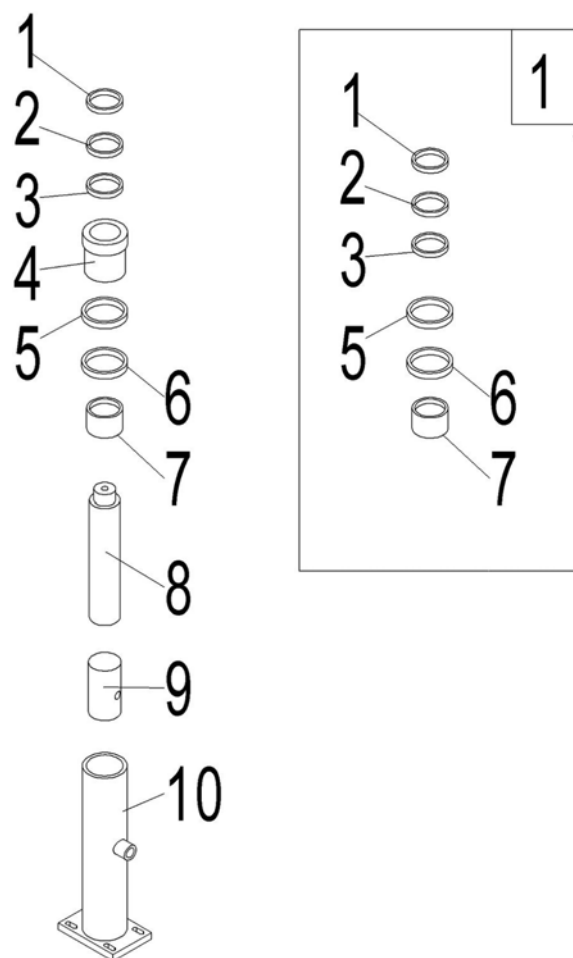


Fig. 21 Chassis Cylinder

No.	Art No.	Description	Qty.	Note
1	9000009076	Dust cover	1	45X53X5/6.5
2	9000011760	Circlip	1	45X50X2
3	9000009078	Seal ring	1	45X55X6/7
4	9000011756	End cap	1	
5	9000008957	Circlip	1	55X60X1.5
6	9000011761	O ring	1	54.4X3.1
7	9000009077	Copper bushing	1	45X50X30
8	9000011757	Cylinder body	1	
9	9000011758	Piston	1	
10	9000011755	Piston rod	1	
☐	9000011759	Cylinder seal kit	1	

Fig. 22 Manual steering wheel carrier

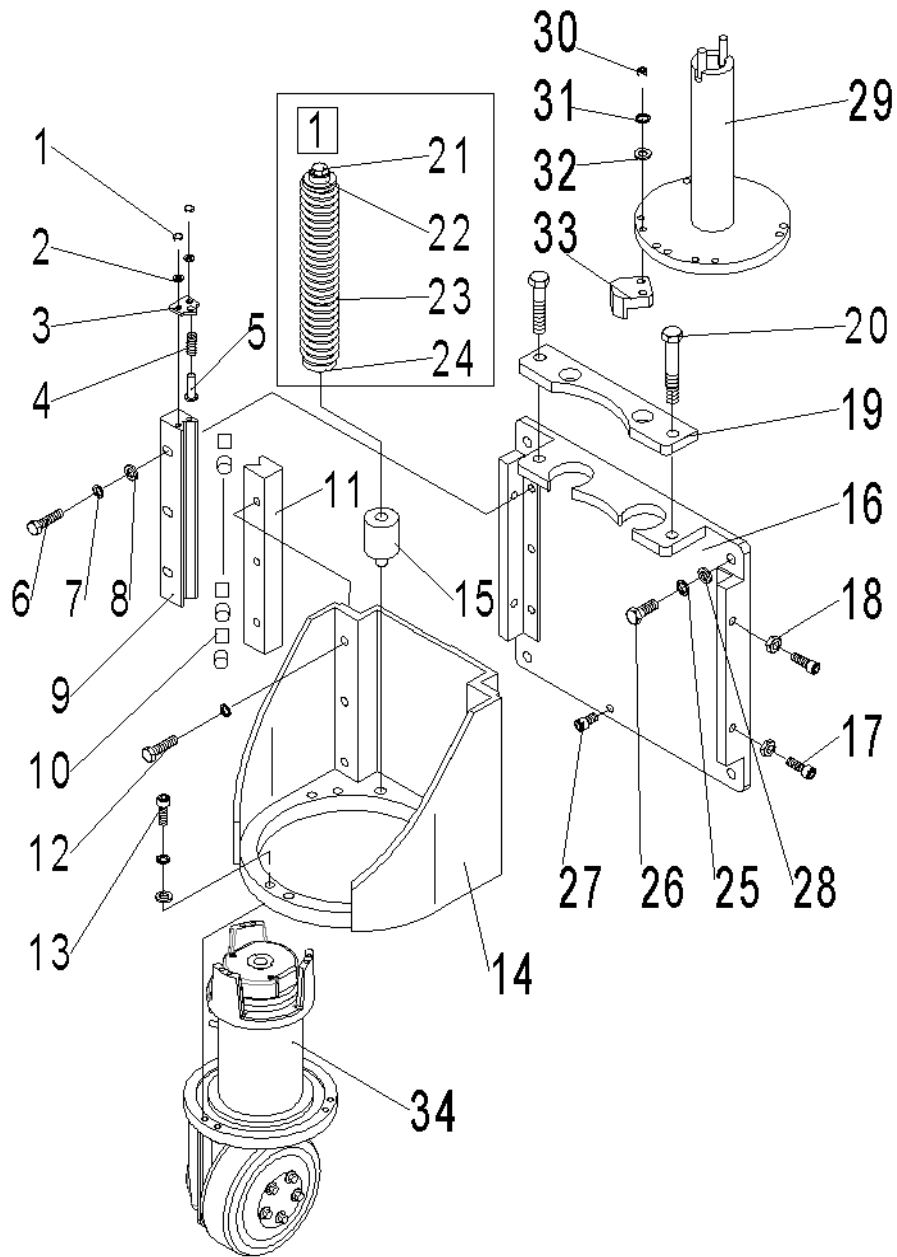


Fig. 22 Manual Steering Wheel Carrier

No.	Parts No.	Item	Qty.	Note	Standard
1	0000023042	Screw	8	M6×10	GB/T70.1=ISO4762
2	0000025010	Washer	8	6	GB/T93
3	2000202006	End cover	4		
4	2000231001	Spring	4		
5	2000207001	Spring spindle	4		
6	0000023099	Screw	6	M10×45	GB/T70.1=ISO4762
7	0000023006	Washer	18	10	GB/T93
8	0000025002	Washer	18	10	GB/T95
9	2000202004	Outer V block	2		
10	2000202008	Roller	24		
11	2000202005	Inner V block	2		
12	0000023025	Screw	6	M10×40	GB/T70.1=ISO4762
13	0000023099	Screw	6	M10×45	GB/T70.1=ISO4762
14	2000201005	Wheel carrier	1		
15	2000202003	Cushion block	2		
16	2000201004	Supporting frame	1		
17	0090000602	Screw	4	M10×25	GB/T821
18	0000024012	Nut	4	M10	GB/T6172.1=ISO4035
19	9000008321	Top plate	1		
20	0000023095	Bolt	2	M14×60	GB/T5783=ISO4017
21	2000223001	Screw	2	M10×180	
22	2000208001	Spring guide bushing	2		
23	2000231002	Spring	2		
24	2000212001	Spring guide rod	2		
25	0000025024	Washer	4	12	GB/T93
26	0000023094	Screw	4	M12×30	GB/T70.1=ISO4762
27	0000023098	Screw	1	M12×10	GB/T70.1=ISO4762
28	0000025032	Washer	4	12	GB/T95
29	9000008257	Handle axle	1		
30	0000023172	Screw	10	M8×30	GB/T70.1=ISO4762
31	0000025001	Washer	10	8	GB/T93
32	0000025011	Washer	10	8	GB/T95
33	2000202001	Limit block	2		
34	9000007774	Vertical drive	1	7EL-AC-1.3	
□	2000200003	Spring assembly	2		

Fig. 23 Electric power assisted steering wheel carrier

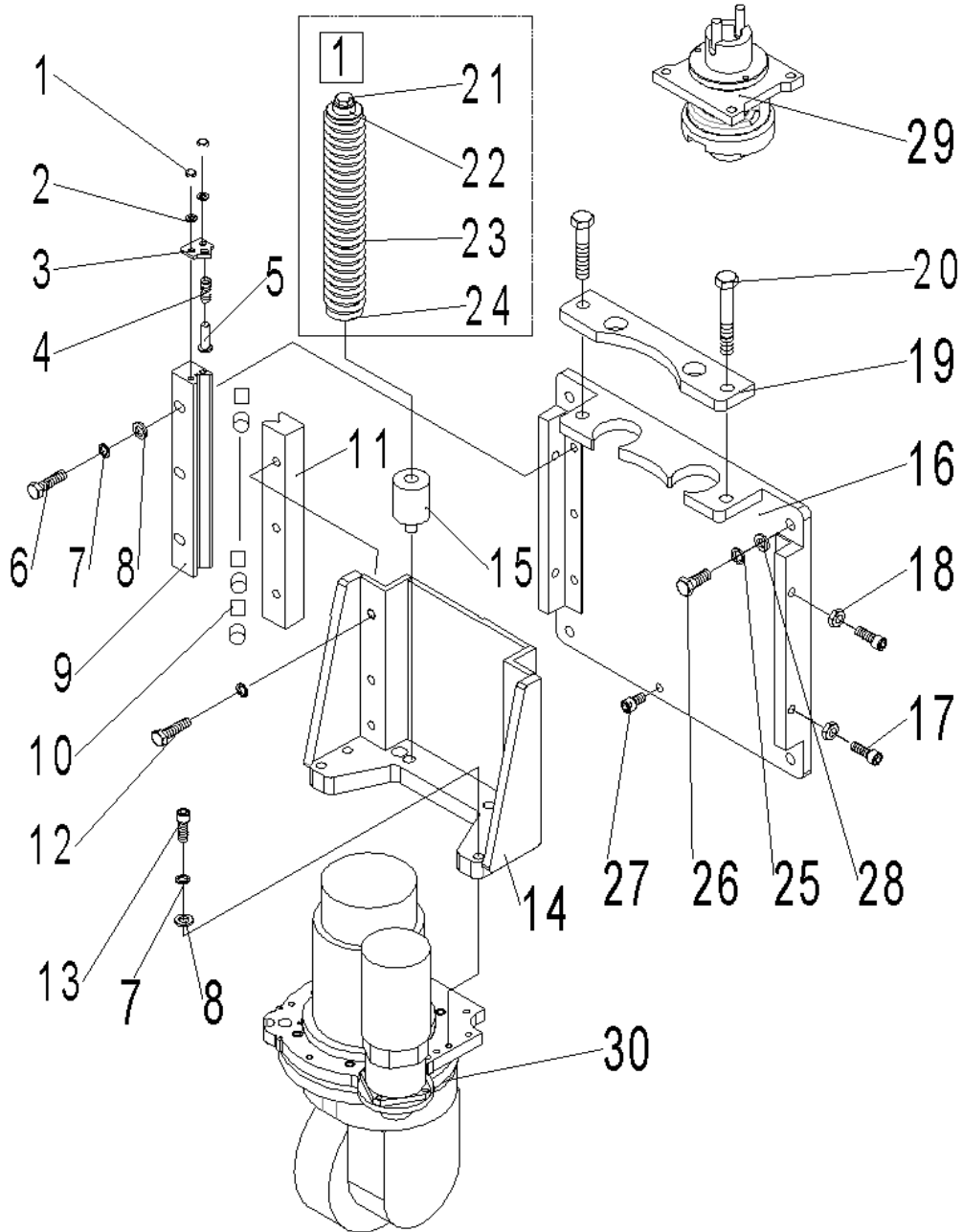


Fig. 23 Electric Power Assisted Steering Wheel Carrier

No.	Parts No.	Item	Qty.	Note	Standard
1	0000023042	Screw	8	M6×10	GB/T70.1=ISO4762
2	0000025010	Washer	8	6	GB/T93
3	2000202006	End cover	4		
4	2000231001	Spring	4		
5	2000207001	Spring spindle	4		
6	0000023099	Screw	6	M10×45	GB/T70.1=ISO4762
7	0000023006	Washer	18	10	GB/T93
8	0000025002	Washer	22	10	GB/T95
9	2000202004	Outer V block	2		
10	2000202008	Roller	24		
11	9000007685	Inner V block	2		
12	0000023025	Screw	6	M10×40	GB/T70.1=ISO4762
13	0000023099	Screw	6	M10×45	GB/T70.1=ISO4762
14	9000007680	Wheel carrier	1		
15	2000202003	Cushion block	2		
16	2000201004	Supporting frame	1		
17	0090000602	Screw	4	M10×25	GB/T821
18	0000024012	Nut	4	M10	GB/T6172.1=ISO4035
19	2000202002	Top plate	1		
20	0000023095	Bolt	2	M14×60	GB/T5783=ISO4017
21	2000223001	Screw	2	M10×180	
22	2000208001	Spring guide bushing	2		
23	2000231002	Spring	2		
24	2000212001	Spring guide rod	2		
25	0000025024	Washer	4	12	GB/T93
26	0000023094	Screw	4	M12×30	GB/T70.1=ISO4762
27	0000023098	Screw	1	M12×10	GB/T70.1=ISO4762
28	0000025032	Washer	4	12	GB/T95
29	9000007686	Electronic steering assembly	1		
30	9000007779	Drive wheel assembly	1		
①	2000200003	Spring assembly	2		

Fig. 24 Electric steering assembly

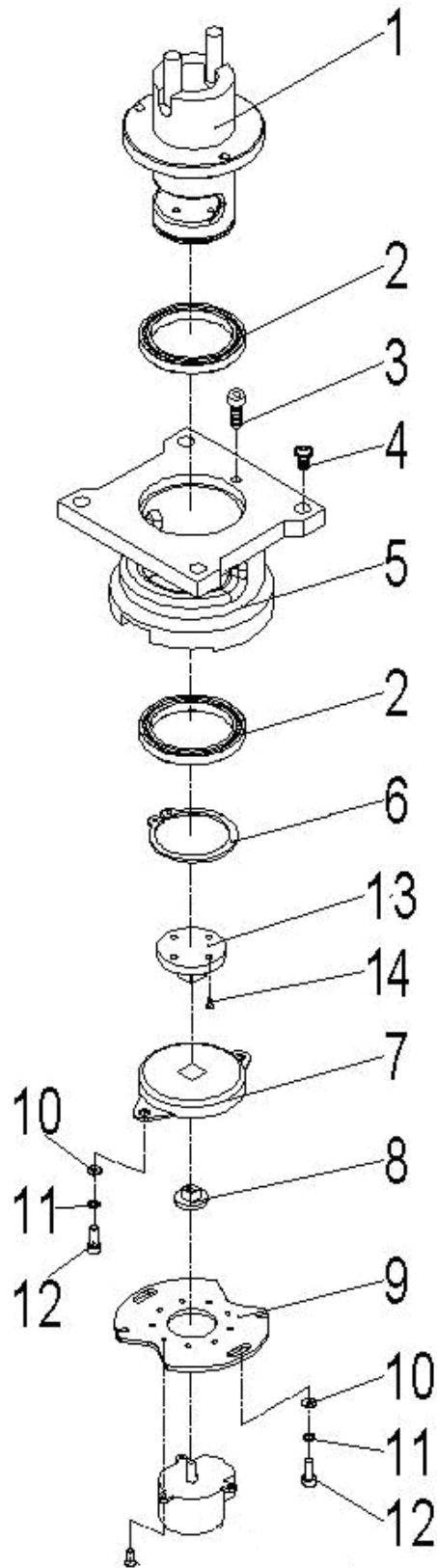


Fig. 24 Electric steering assembly

No.	Parts No.	Item	Qty.	Note	Standard
1	9000007422	Bearing seat	1		
2	9000000240	Bearing	2	65×50×7	GB/T276
3	0000023042	Screw	3	M6×10	GB/T70.1=ISO476
4	0000023034	Screw	4	M10×20	GB/T70.1=ISO476
5	9000007423	Fixing seat	1		
6	0000026043	Circlip	1	50	GB/T894.1
7	9000007806	Damper	1		
8	9000007421	Transition linking block	1		
9	9000007693	Potentiometer fixing plate	1		
10	0000023032	Washer	4	5	GB/T95
11	0000025015	Washer	4	5	GB/T93
12	0000023311	Screw	4	M5×10	GB/T70.1=ISO476
13	9000007424	Linking block	1		
14	0000023073	Screw	4	M4×10	GB/T70.1=ISO476

Fig. 25 Drive wheel assembly 7EL-AC-1.3

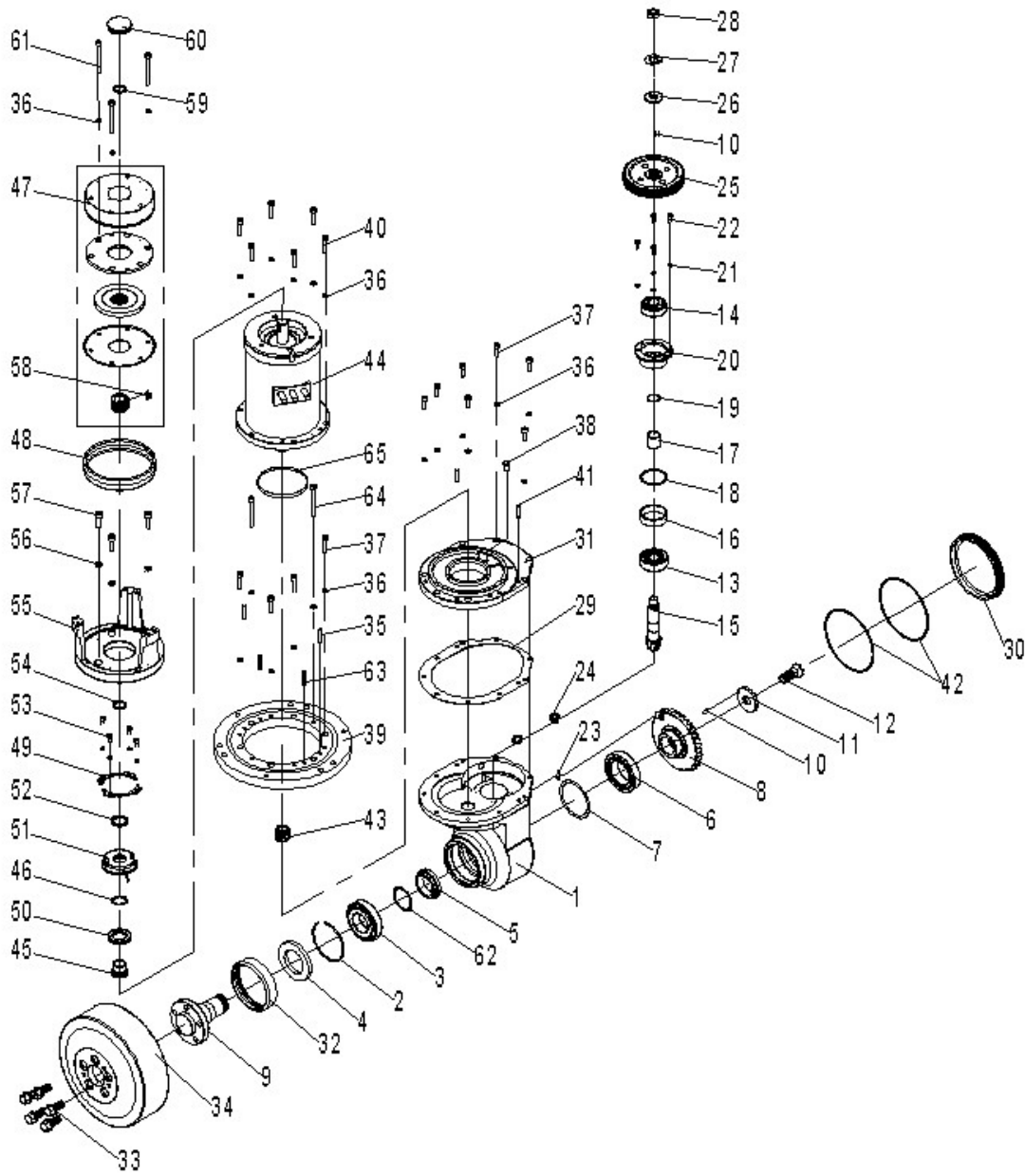


Fig. 25 Drive Wheel Assembly 7EL-AC-1.3

No.	Parts No.	Item	Qty.	Note	Standard
1	9000009493	Gear box	1		
2	9000009494	Circlip	1		
3	0090000116	Bearing	1	30208	GB/T297
4	0090000505	Oil seal	1	50×80×8	GB/T9877
5	9000009496	Bushing	1		
6	0000027031	Bearing	1	32010	GB/T297
7	9000009497	Adjusting washer	1		
8	9000009498	Gear	1		
9	9000009499	Drive wheel	1		
10	0090000117	Dowel pin	2	4×12	GB/T119.1=ISO2338
11	9000009500	Circlip	1		
12	9000009501	Bolt	1		
13	0090000502	Bearing	1	32304	GB/T297
14	0090000503	Bearing	1	32204	GB/T297
15	9000009502	Gear	1		
16	9000009503	Outer thimble	1		
17	9000009504	Inner thimble	1		
18	9000009505	Adjusting washer	1		
19	9000009506	Adjusting washer	1		
20	9000009507	Bearing seat	1		
21	0000025012	Washer	8	5	GB/T93
22	0000023675	Screw	4	M5×16	GB/T70.2=ISO7380
23	0000022036	Combination washer	3	12	JB/T982
24	0090000506	Plug			JB/ZQ4444
25	9000009508	Big gear	1		
26	9000009509	Washer	1		
27	0000025066	Washer	1	14	GB/T856
28	0090000090	Nut	1	M14×1.5	GB/T6173=ISO8675
29	9000009510	Washer	1		
30	9000009511	Side cover	1		
31	9000009512	Upper cover	1		
32	9000009513	Dust cover	1		

Fig. 25 Drive wheel assembly 7EL-AC-1.3

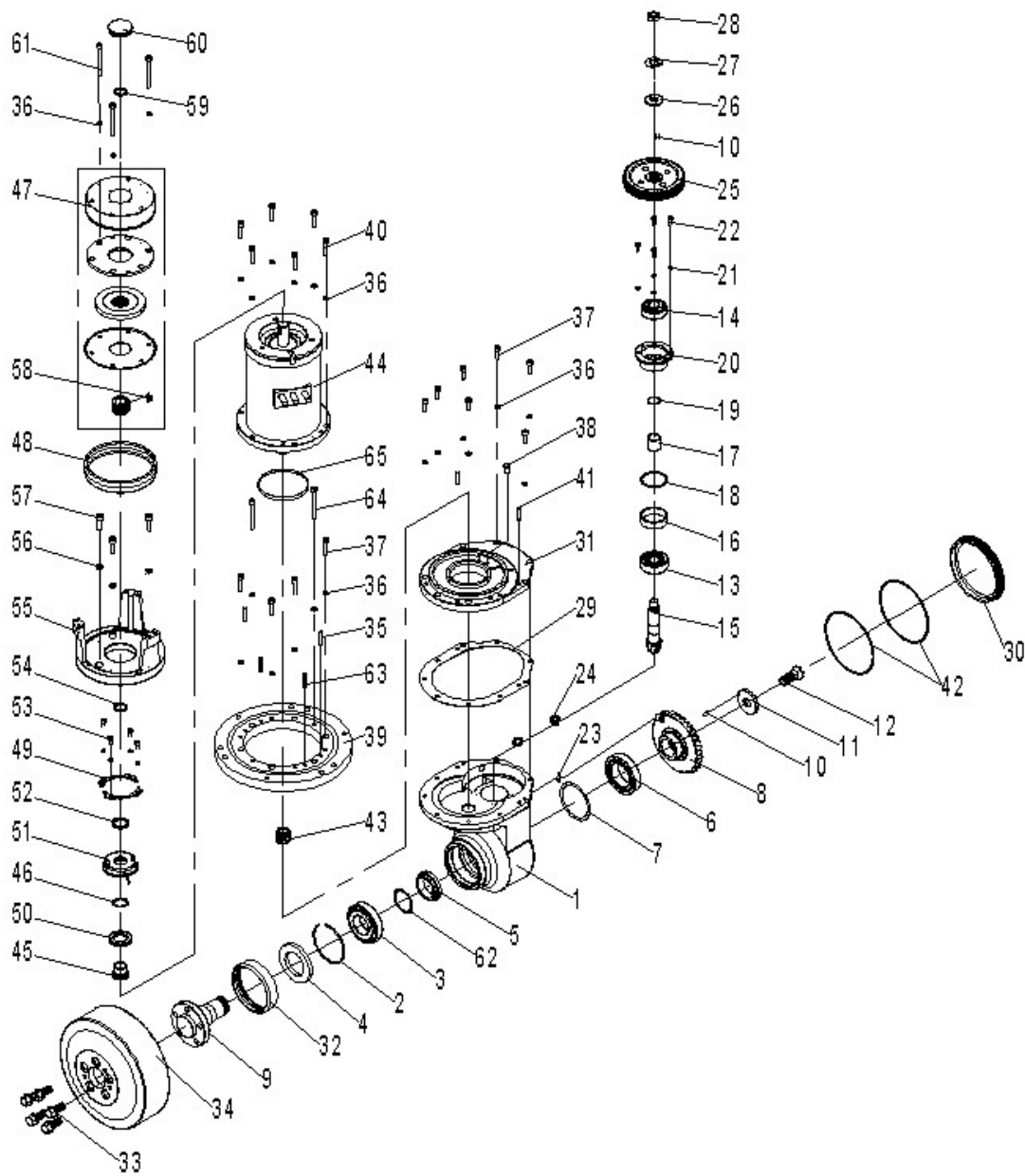


Fig. 25 Drive wheel assembly 7EL-AC-1.3

No.	Parts No.	Item	Qty.	Note	Standard
33	9000009514	Bolt	5		
34	9000009515	Drive wheel	1		
35	0000028027	Dowl pin	2	6×30	GB/T119.1=ISO2338
36	0000025006	Washer	22	6	GB/T93
37	0000023020	Screw	11	M6×20	GB/T70.1=ISO4762
38	9000009495	Vent plug	1		
39	9000009516	Rotating support	1		
40	0000023106	Screw	6	M6×30	GB/T70.1=ISO4762
41	0090000504	Dowel pin	2	6×26	GB/T119.1=ISO2338
42	0000022037	O seal ring	2	125×2.65	GB/T3452.1=ISO3601-1
43	9000009517	Small gear	1		
44	9000009518	Drive motor	1		
45	9000009519	Bushing	1		
46	0000026013	Circlip	1	25	GB/T894.1
47	9000009520	Brake	1		
48	9000009521	Dust cover	1		
49	9000009522	Flange	2		
50	9000009523	Speed sensor gear	1		
51	9000009524	Speed sensor	1		
52	9000009525	Spacer	1		
53	0000023311	Screw	4	M5×10	GB/T70.1=ISO4762
54	0000022059	O seal ring	1	20×2.65	GB/T3452.1=ISO3601-1
55	9000009526	Bracket	1		
56	0000025001	Washer	3	8	GB/T93
57	0000023047	Screw	3	M8x25	GB/T70.1=ISO4762
58	0000036003	Flat key	1	A 6×18	GB/T1096
59	0000026003	Circlip	1	20	GB/T894.1
60	9000009527	Dust cover	1		
61	0000023563	Screw	3	M6×65	GB/T70.1=ISO4762
62	9000009528	Adjusting washer	1		
63	0000028137	Dowel pin	2	6×30	GB/T879.1=ISO8752
64	0090000321	Screw	2	M6×45	GB/T70.1=ISO4762
65	0000022038	O seal ring	1	65X2.65	GB/T3452.1=ISO3601-1

Fig. 26 26EL-AC-1.3KW-R Drive wheel assembly

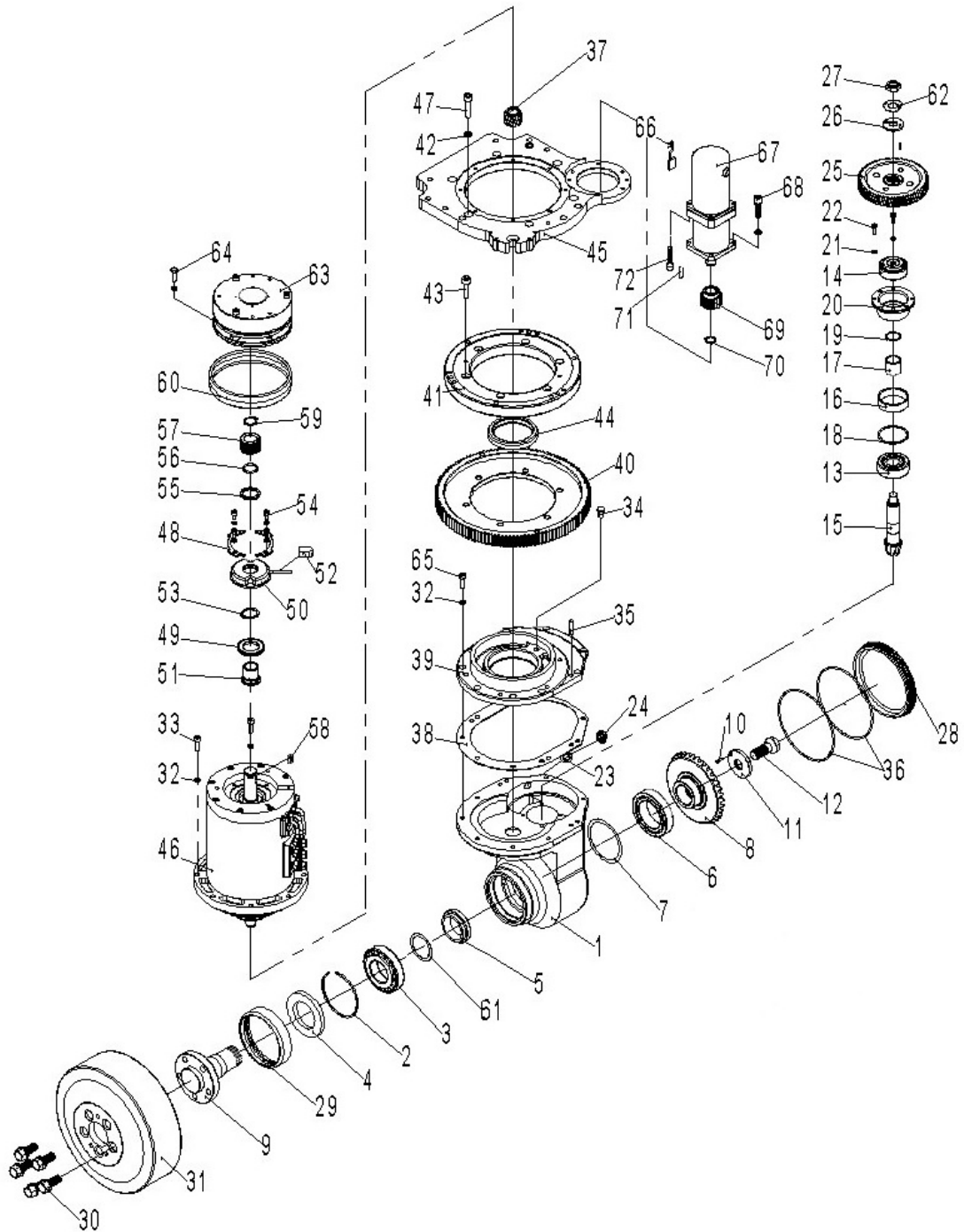


Fig. 26 26EL-AC-1.3KW-R Drive Wheel Assembly

No.	Parts No.	Item	Qty.	Note	Standard
1	9000009493	Gear box	1		
2	9000009494	Circlip	1		
3	0090000116	Bearing	1	30208	GB/T297
4	0090000505	Oil seal	1	50x80x8	GB/T9877
5	9000009496	Bushing	1		
6	0000027031	Bearing	1	32010	GB/T276
7	9000009497	Adjusting washer	1		
8	9000009498	Gear	1		
9	9000009499	Drive axle	1		
10	0090000117	Dowel pin	2	4x12	GB/T119.2-2000
11	9000009500	Circlip	1		
12	9000009501	Bolt	1		
13	0090000502	Bearing	1	32304	GB/T276
14	0090000503	Bearing	1	32204	GB/T276
15	9000009502	Gear	1		
16	9000009503	Outer sleeve	1		
17	9000009504	Inner sleeve	1		
18	9000009505	Adjusting washer	1		
19	9000009506	Adjusting washer	1		
20	9000009507	Bearing seat	1		
21	0000025015	Washer	8	5	GB/T93
22	0000023107	Screw	4	M5x16	GB/T70.1=ISO4762
23	0000022036	Combination washer	3	12	JB/T982
24	0090000506	Screw	3	M12x1.25	JB/ZQ4444-2006
25	9000009508	Big gear	1		
26	9000009509	Washer	1		
27	0090000090	Nut	1	M14x1.5	GB/T6173=ISO8675
28	9000009511	Side cover	1		
29	9000009513	Dust cover	1		
30	9000009514	Bolt	5		
31	9000009515	Drive wheel	1		
32	0000025010	Washer	20	6	GB/T93
33	0000023106	Screw	8	M6x30	GB/T70.1=ISO4762
34	9000009495	Vent plug	1		
35	0090000504	Dowel pin	2	6x26	GB/T119.1=ISO2338
36	0000022037	O ring	2	125x2.65	GB/T3452.1=ISO3601-1
37	9000009517	Small gear	1		
38	9000009824	Paper washer	1		
39	9000009825	Upper cover	1		
40	9000009826	Steering big gear	1		
41	9000009745	Rotating bearing	1		

Fig. 26 26EL-AC-1.3KW-R Drive wheel assembly

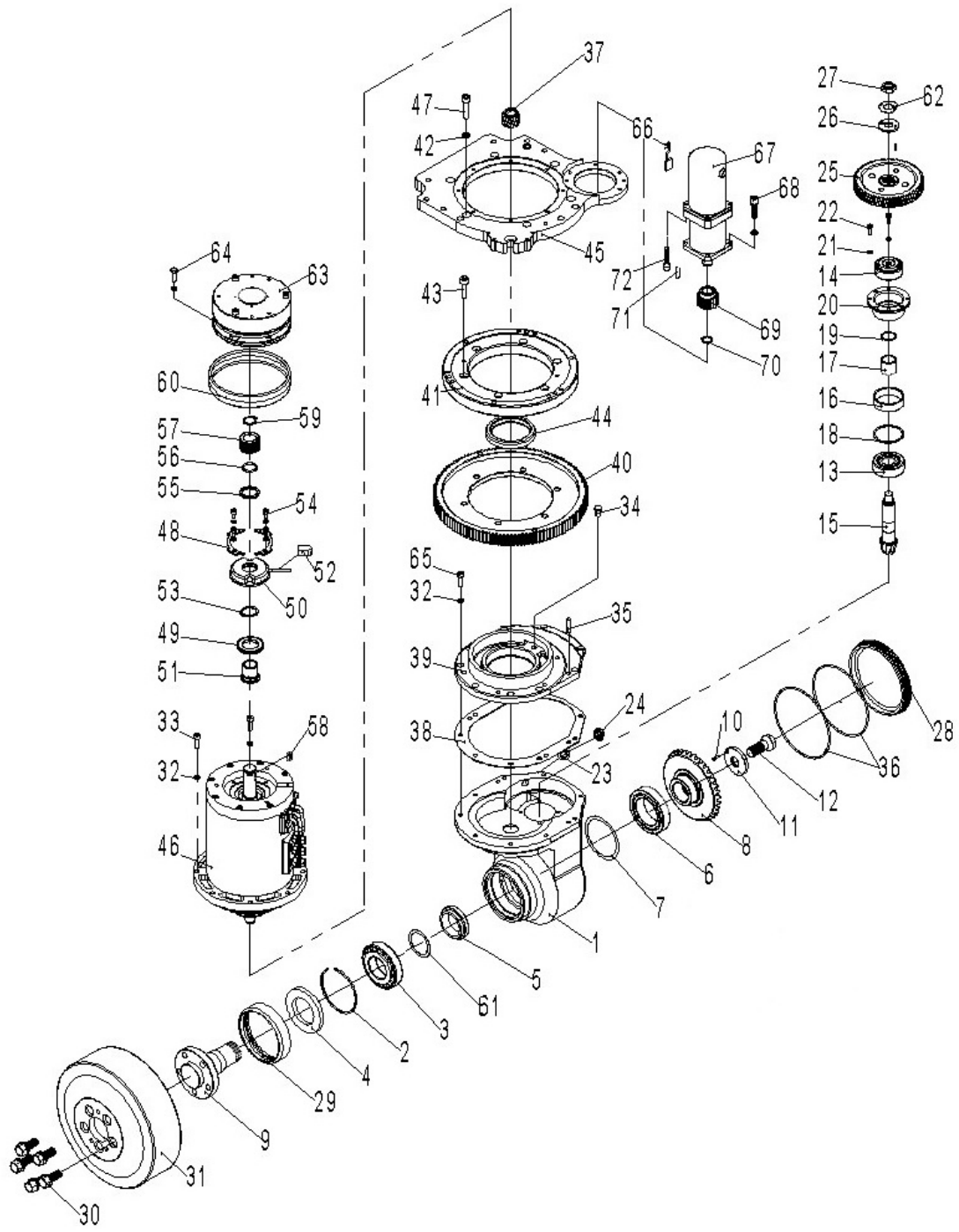


Fig. 26 26EL-AC-1.3KW-R Drive wheel assembly

No.	Parts No.	Item	Qty.	Note	Standard
42	0000025001	Washer	6	8	GB/T93
43	0000023455	Screw	6	M8x35	GB/T70.1=ISO4762
44	0090000151	Oil seal	1		GB/T9877
45	9000009532	Assembly board	1		
46	9000009827	Motor	1		
47	0000023172	Screw	6	M8x30	GB/T70.1-2000
48	9000009522	Flange	2		
49	9000009523	Speed sensor gear	1		
50	9000009524	Speed sensor	1		
51	9000009748	Bushing	1		
52	9000008854	Bushing	1		
53	0000026013	Circlip	1	25	GB/T894.1
54	0000023311	Screw	4	M5x10	GB/T70.1=ISO4762
55	9000009525	Spacer	1		
56	0000022059	O seal ring	1	20x2.65	GB/T3452.1=ISO3601-1
57	9000009749	Bushing	1		
58	0000036001	Flat key	1	6x16	GB/T1096
59	0000026003	Circlip	1	20	GB/T894.1
60	9000009521	Dust cover	1		
61	9000009528	Adjusting washer	1		
62	0000025066	Washer	1	14	GB/T856
63	9000009750	Brake	1		
64	0090000526	Bolt	3	M6x20	GB/T5782=ISO4014
65	0000023020	Screw	9	M6x20	GB/T70.1=ISO4762
66	9000006304	Steering carbon brush	1		
67	9000009726	Steering motor	1		
68	0090000119	Screw	8	M6x22	GB/T70.1=ISO4762
69	9000009828	Steering small gear	1		
70	0000026040	Circlip	1	22	GB/T894.1
71	0090000118	Flat key	1	6x28	GB/T1096
72	0000023106	Screw	12	M6x30	GB/T70.1=ISO4762

Fig. 27 Handle arm

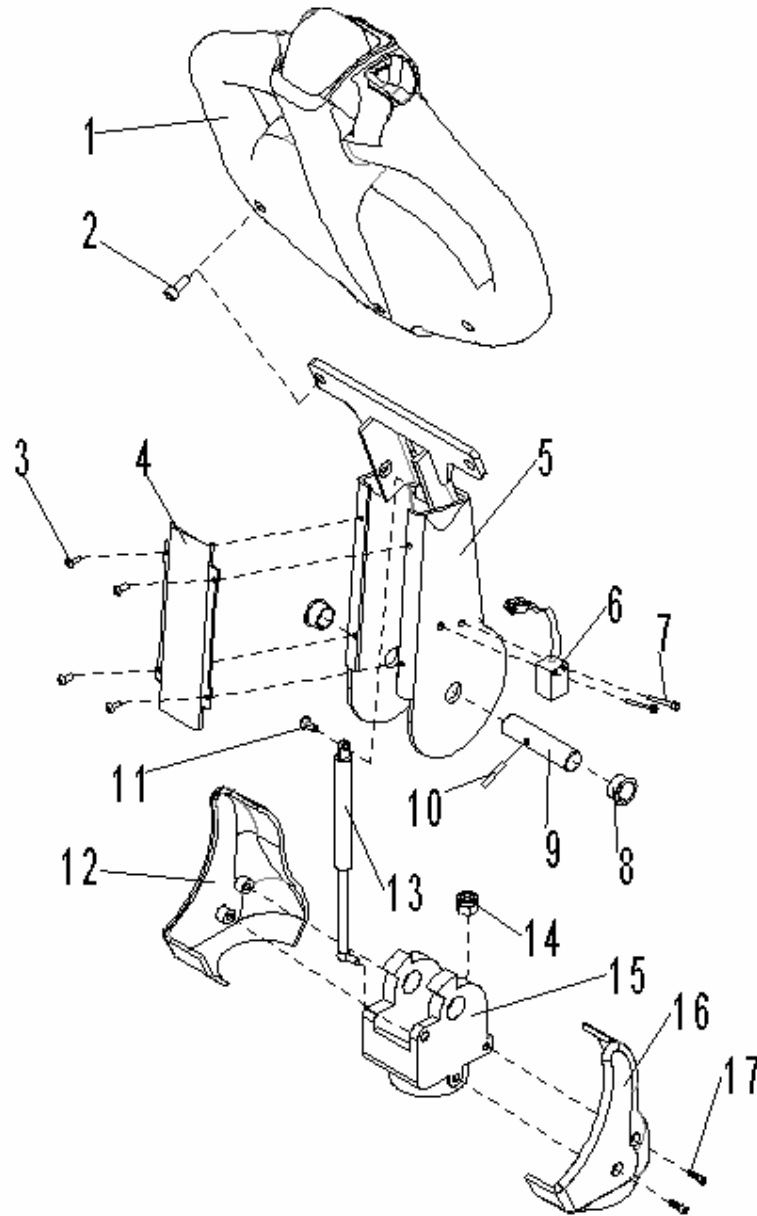


Fig. 27 Handle Arm

No.	Parts No.	Item	Quantity	Note	Standard
1	1100100001	Canbus control tiller	1		
2	0000023232	Bolt	2	M8×25	GB/T5783=ISO4017
3	1000123003	Screw	4	M4×8	GB/T70.2=ISO7380
4	9000007926	Cover board	1	Short tiller arm	
	9000009961	Long Cover board		Long tiller arm	
5	9000007925	Handle arm	1	Short tiller arm	
	9000009962	Long tiller arm		Long tiller arm	
6	9000008327	Proximity switch	1		
7	0000023075	Screw	2	M3×20	GB/T70.1=ISO4762
8	1000113001	Harness	2	17×19×11	
9	9000007928	Tiller axle	1		
10	0000028003	Dowel pin	1	4×24	GB/T879.1=ISO8752
11	1000123001	Screw	1	M8×20	
12	9000007930	Left handle cover	1		
13	1010121001	Air spring	1	400N S≥55	
	1000121001			450N S≥55	
14	0000023005	Lock nut	2	M10	GB/T889.1=ISO7040
15	9000007929	Handle seat	1		
16	9000007931	Right handle cover	1		
17	0000023519	Screw	4	M6×10	GB/T70.2=ISO7380

Fig. 28 CANBUS Handle head

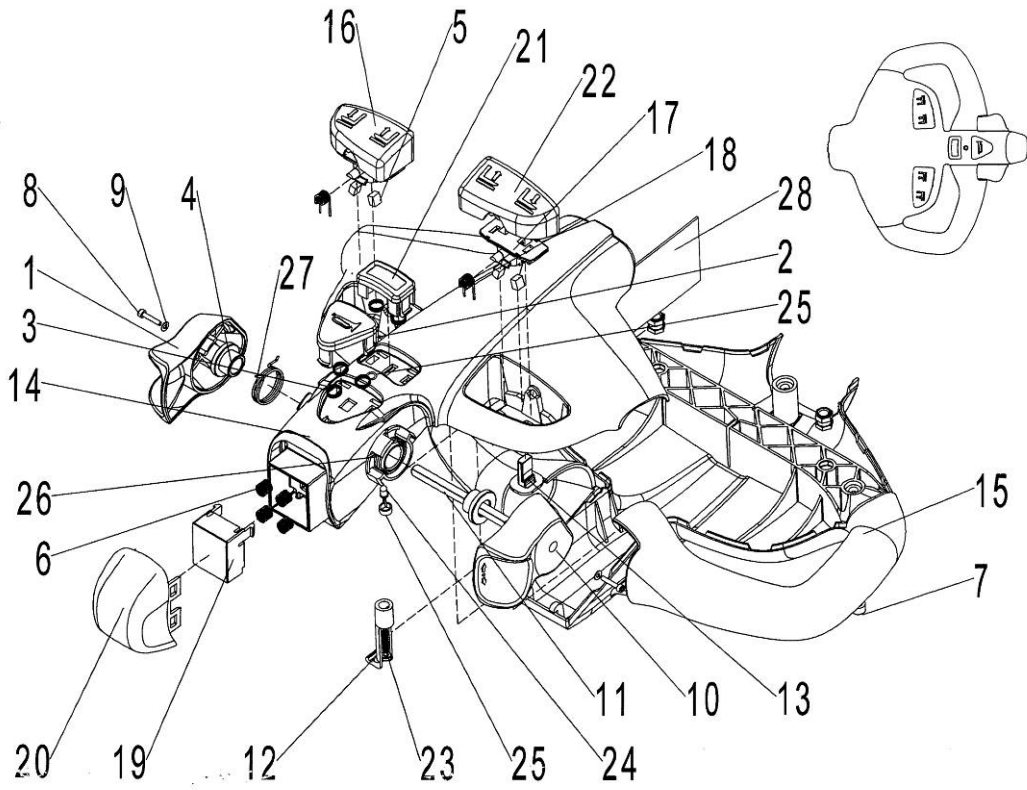


Fig. 28 CANBUS Handle Head

No.	Parts No.	Item	Qty.	Note	Standard
1	1010114001	Left driving button	1		
2	1000114015	Horn button	1		
3	1000131009	Spring of horn button	5		
4	1000113004	Bushing of camshaft	2		
5	1000137001	Magnet	4		
6	1000131010	Spring of emergency button	4		
7	0000023058	Screw	3		GB/T70.1=ISO4762
8	0000023057	Screw	2		GB/T70.1=ISO4762
9	0000025017	Washer	2		GB/T95
10	1010114003	Right driving button	1		
11	1000107002	Linking axle of driving button	1		
12	1000137002	Circlip of PCB board	1		
13	1000134005	Load sensor	2		
14	1000103012	Upper part of handle	1		
15	1000103013	Under part of handle	1		
16	1000114017	Left lifting button	1		
17	1000137003	Magnet assembly seat	2		
18	1000131011	Torsional spring	2		
19	1000114018	Spring assembly board of emergency button	1		
20	1000114020	Emergency button	1		
21	1000114021	Cover of option switch	1		
22	1000114022	Right lifting button	1		
23	0000023060	Screw	1		GB/T845=ISO7049
24	1000134006	LED bi-color light	1		
25	1000103014	Assembly seat of LED bi-color light	1		
26	1000131012	Torsional spring of right driving button	1		
27	1000131013	Torsional spring of left driving button	1		
28	1100135001	PCB	1		

Fig. 29 Pump station system (3.0KW 3.2 delivery capacity)

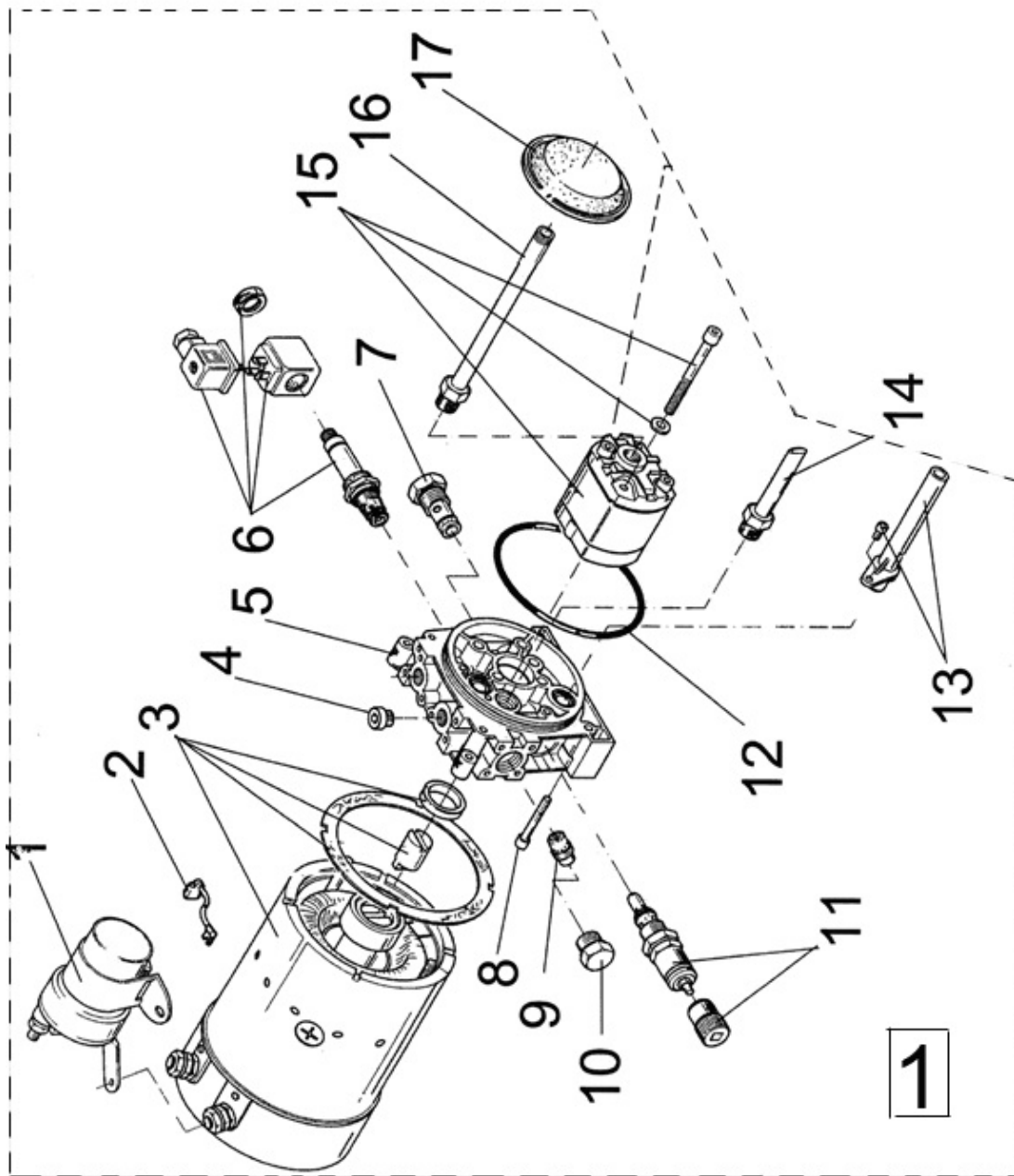


Fig. 29 Pump Station System (3.0KW 3.2 delivery capacity)

No.	Parts No.	Item	Qty.	Note
1	2040334001	Pump contactor	1	
2	9000003582	Carbon brush(assembly)	1	
3	9000003583	Motor	1	
4	2000323001	Plug	1	
5	2000300002	Valve	1	
6	2000335003	Solenoid valve	1	
7	2000335004	Check valve	1	
8	2000323002	Screw	4	
9	9000008870	Flow control valve	1	7.5L/min
10	2000323003	Bolt	1	
11	2040315003	Overflow valve	1	
12	2000322004	O ring	1	
13	2000317008	Oil return hose	1	
14	2040317008	Oil return hose	1	
15	9000008874	Gear pump 3.2cc/r	1	
16	9000008873	Oil suction hose	1	L=250.50mm
17	2000300004	Filter	1	
□	9000008867	DC power unit	1	Pump Station System 3.0Kw, 3.2 delivery capacity

Fig. 30 Pump station system (2.2KW 2.2 delivery capacity)

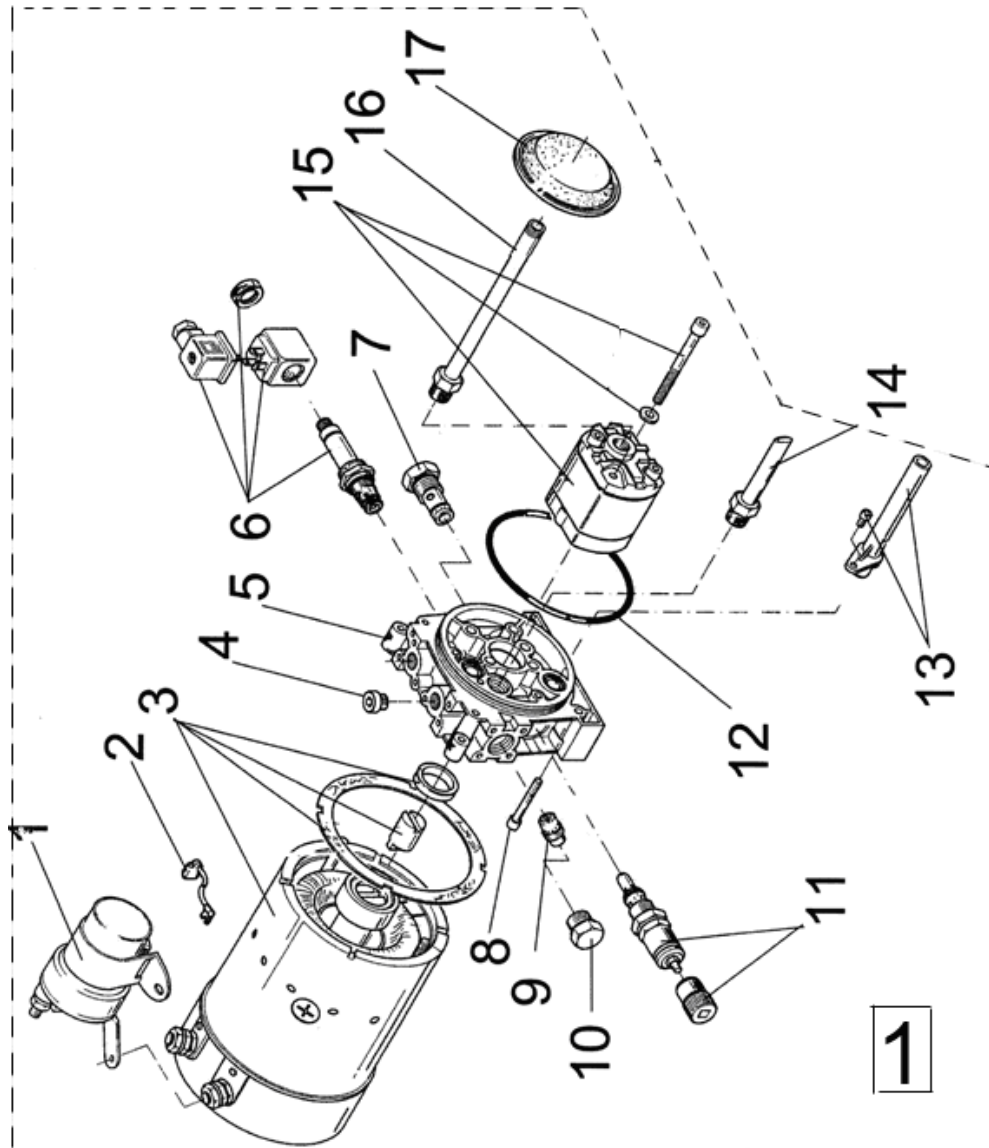


Fig. 30 Pump Station System (2.2KW 2.2 delivery capacity)

No.	Parts No.	Item	Qty.	Note
1	2000335001	Pump contactor	1	
2	2000335002	Carbon brush(assembly)	1	Iskra
3	2000334001	Motor	1	Iskra
4	2000323001	Plug	1	
5	2000300002	Valve body	1	
6	2000335003	Solenoid valve	1	
7	2000335004	Check valve	1	
8	2000323002	Screw	4	
9	2000335005	Flow control valve	1	
10	2000323003	Bolt	1	
11	2000335006	Overflow valve	1	
12	2000322004	O ring	1	
13	2000317008	Oil return hose	1	
14	2000317009	Oil return hose	1	
15	2000300003	Gear pump	1	
16	2000317010	Oil suction hose	1	
17	2000300004	Filter	1	
①	2000300001	DC power unit	1	2.2kw 2.2 delivery capacity (Iskra motor)

Fig. 31 Main circuit wiring (Electrical steering)

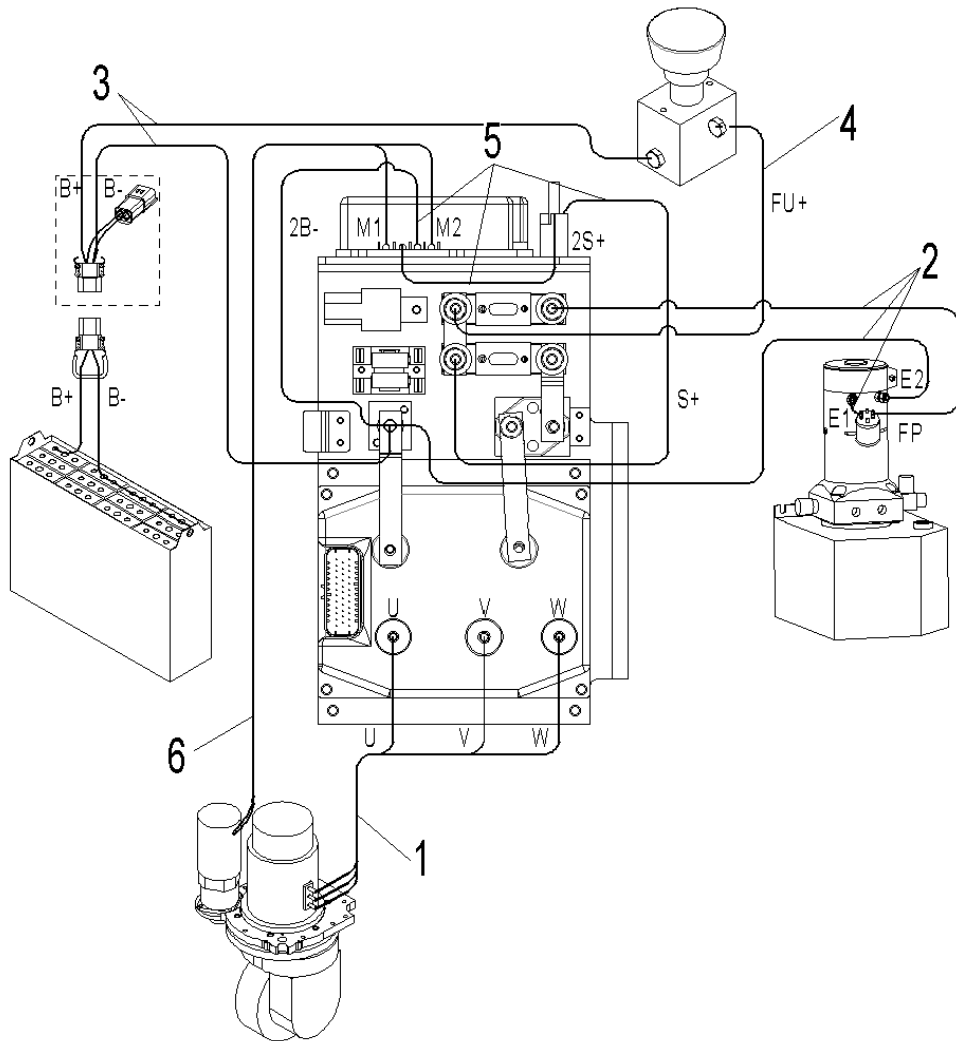


Fig. 31 Main Circuit Wiring (Electrical steering)

No.	Art No.	Description	Qty.	Note
1	900008444	Drive motor cable	1	
2	900008361	Pump motor cable	1	
3	900008362	Power supply cable	1	
4	900008371	FU+ cable	1	
5	900008446	Steering controller cable	1	
6	900008520	Steering motor cable	1	

Fig. 32 Main circuit wiring (Manual steering)

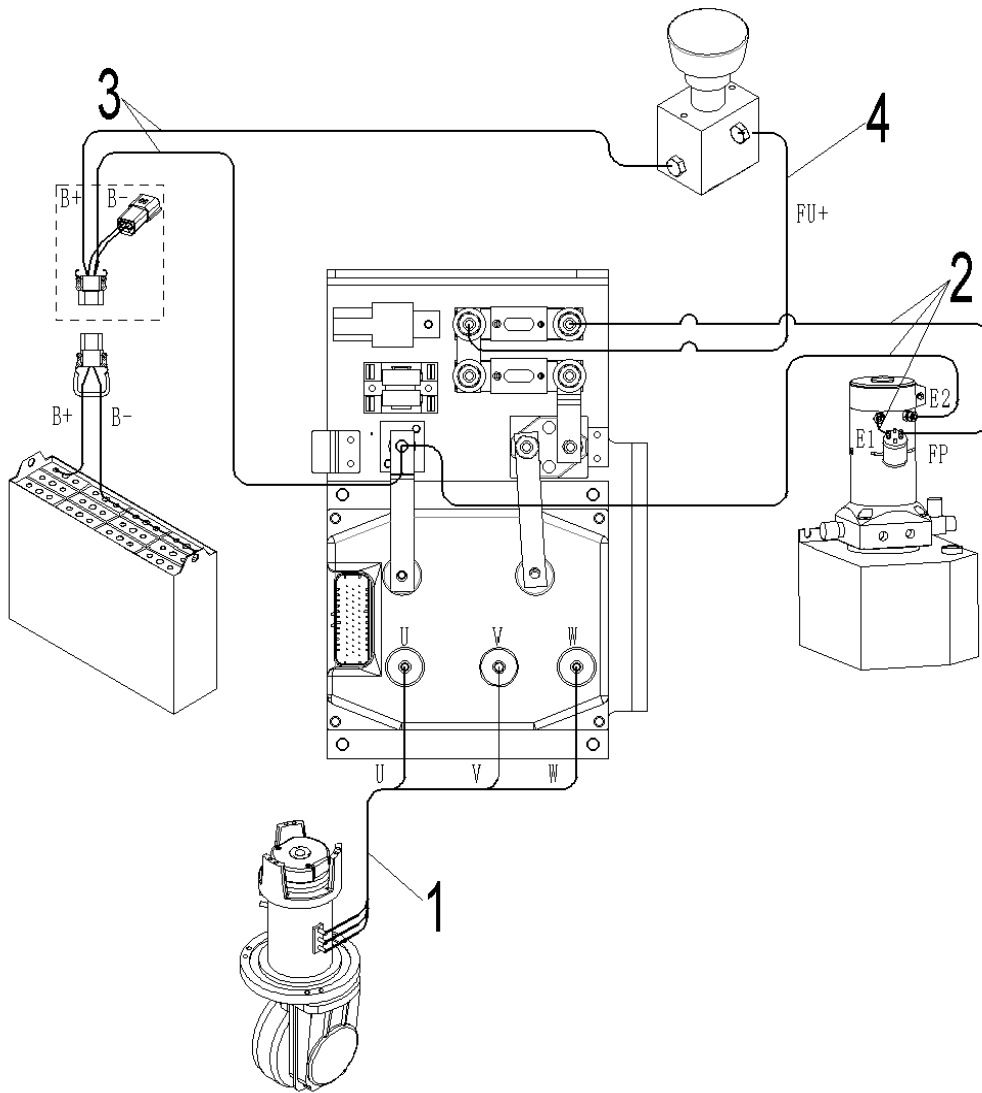


Fig. 32 Main Circuit Wiring (Manual steering)

No.	Art No.	Description	Qty.	Note
1	9000008368	Drive motor cable	1	
2	9000008361	Pump motor cable	1	
3	9000008362	Power supply cable	1	
4	9000008371	FU+ cable	1	

Fig. 33 General electrical parts

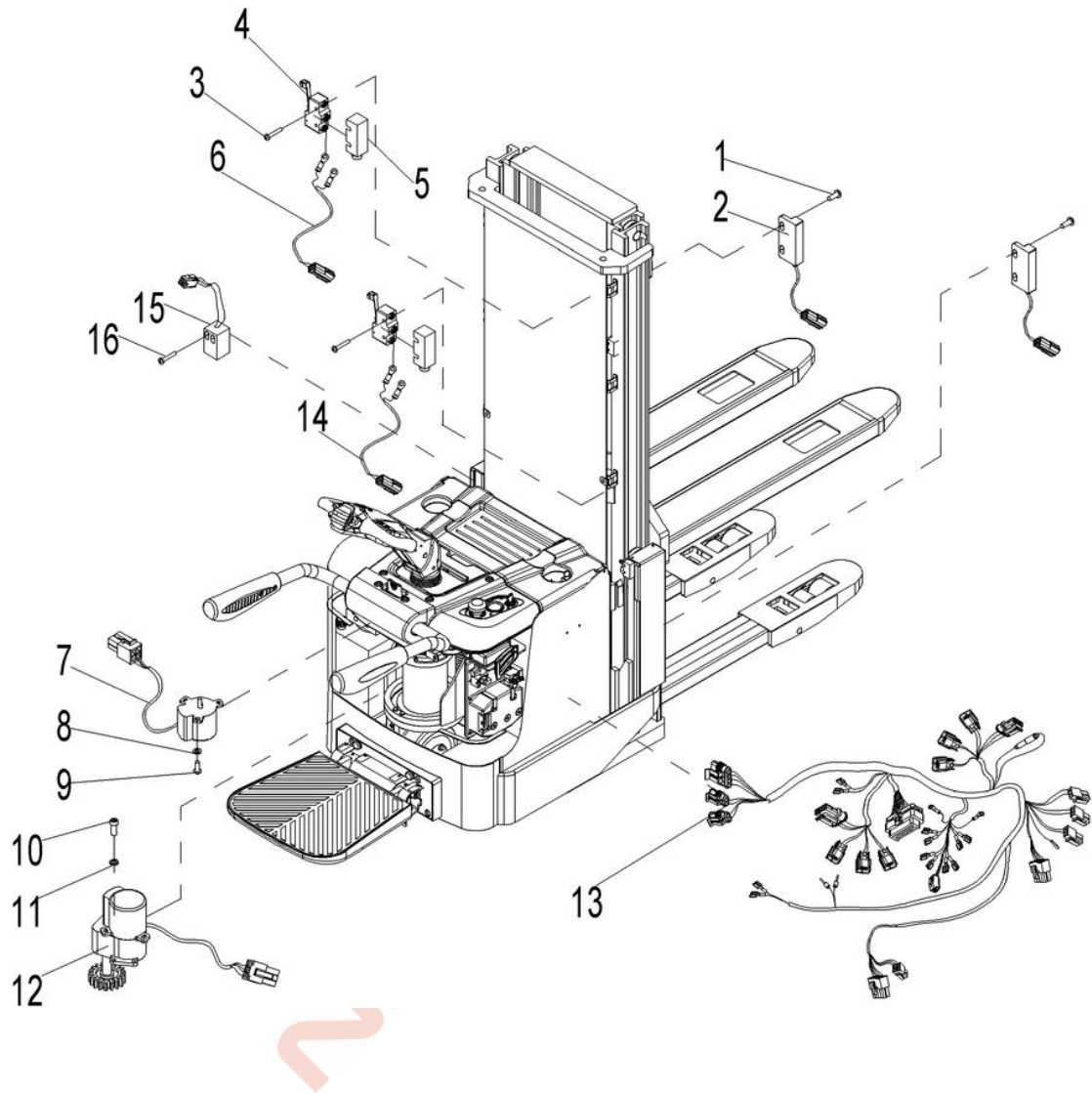


Fig. 33 General Electrical Parts

No.	Art No.	Description	Qty.	Note	Standard
1	0000023083	Screw	4	M3×8	GB/T70.2=ISO7380
2	9000008332	Magnet switch	2	HWK23	
3	0000023033	Screw	4	M4×25	GB/T70.1=ISO4762
4	2040634001	Proximity switch	2	XZ-15GW22-B	
5	9000010040	Proximity switch protective cover AP-B	2	AP-B	
6	9000011701	Limit control wiring harness	1		
7	9000000239	Handle sensor	1	BD-MS	
	9000008448			BD-MS-3	
8	0000025026	Washer	3	3	GB/T95
9	0000023216	Screw	3	M3×8	GB/T818-2000=ISO7045
10	0000023056	Screw	4	M4×12	GB/T70.1=ISO4762
11	0000025019	Washer	4	4	GB/T95
12	9000001159	Sensor	1	BD-PS	
	9000008451			BD-PS-3	
13	9000011700	Main control wiring harness	1		
	9000011705		1		
14	9000011701	Control wiring harness	1		
15	9000011754	Proximity switch	1	NBN5-F7-E2	
16	0000023075	Screw	2	M3x20	GB/T70.1=ISO4762

Fig. 34 Electric control assembly(Electrical steering)

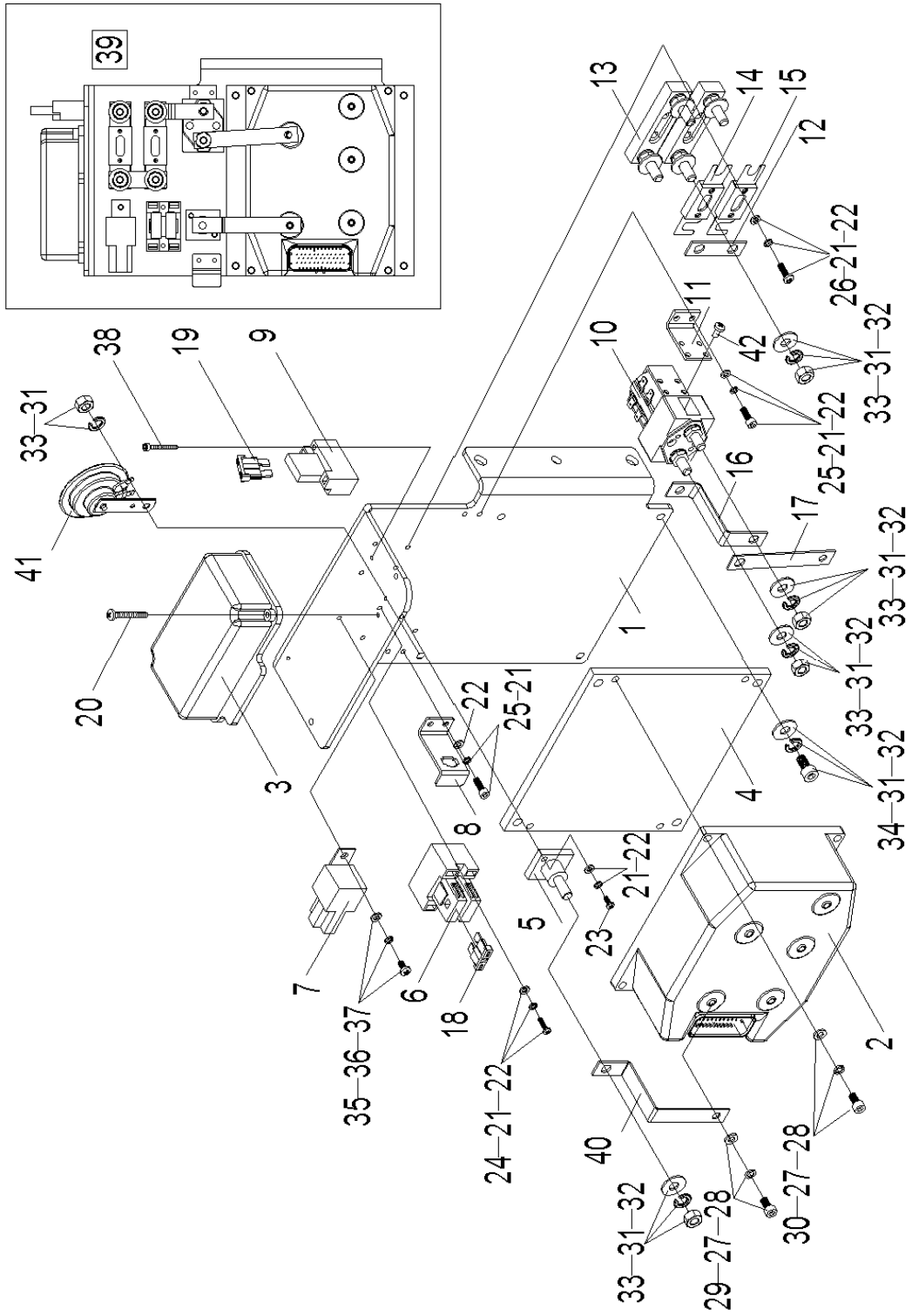


Fig. 34 Electric Control Assembly(Electrical steering)

No	Parts No.	Name	Qty.	Note	Standard
1	9000008069	Controller assembly plate	1		
2	9000000235	Controller	1	CURTIS1232E-212	
3	9000000236	Steering controller	1	BD-SC-24/10	
	9000008584			BD-SC-24/10-3	
4	9000008376	Aluminium plate	1		
5	1020434002	Wiring terminal	1	BD-M8	
6	9000008586	Fuse seat	1	BD-2×10A-1	
7	1000434041	Pump contactor	1	ACR01F-F 1C	
8	9000007679	Plug fixing frame	1		
9	1000434021	Fuse seat	1	BD-1×10A	
10	1000434006	Traction motor contactor	1	C100/120	
11	9000008598	Main contactor assembly plate	1		
12	1020434003	Copper	1		
13	1000434007	Fuse seat	2	SY Y	
14	1020434001	Fuse	1	200A	
15	2210434004	Fuse	1	150A	
16	9000008374	Copper	1		
17	9000008373	Copper	1		
18	1000434040	Fuse	1	10A	
19	3042434014	Fuse	1	15A	
20	0090000082	Screw	2	M4×30	GB/T70.1=ISO4762
21	0000025018	Washer	12	4	GB/T93
22	0000025019	Washer	12	4	GB/T95
23	0000023073	Screw	2	M4×10	GB/T70.1=ISO4762
24	0000023019	Screw	2	M4×30	GB/T818-2000=ISO704 5

25	0000023307	Screw	4	M4×10	GB/T818-2000=ISO704 5
26	0000023211	Screw	4	M4×16	GB/T818-2000=ISO704 5
27	0000025010	Washer	9	6	GB/T93
28	0000023055	Washer	9	6	GB/T95
29	0000023478	Screw	5	M6×12	GB/T70.1=ISO4762
30	0000023923	Screw	4	M6×18	GB/T70.1=ISO4762
31	0000025001	Washer	12	8	GB/T93
32	0000025011	Washer	11	8	GB/T95
33	0000024086	Nut	12	M8	GB/T6170=ISO4032
34	0000023067	Screw	4	M8×16	GB/T70.1=ISO4762
35	0000023516	Screw	1	M5×10	GB/T818-2000=ISO704 5
36	0000025015	Washer	1	5	GB/T93
37	0000025014	Washer	1	5	GB/T95
38	0000023070	Screw	2	M3×25	GB/T70.1=ISO4762
39	9000008356	Controller	1		
40	9000008372	Copper	1		
41	1000434015	Horn	1	DC24V	
42	0000023727	Screw	2	M4×6	GB/T818-2000=ISO704 5

Fig. 35 Electric control assembly(Manual steering)

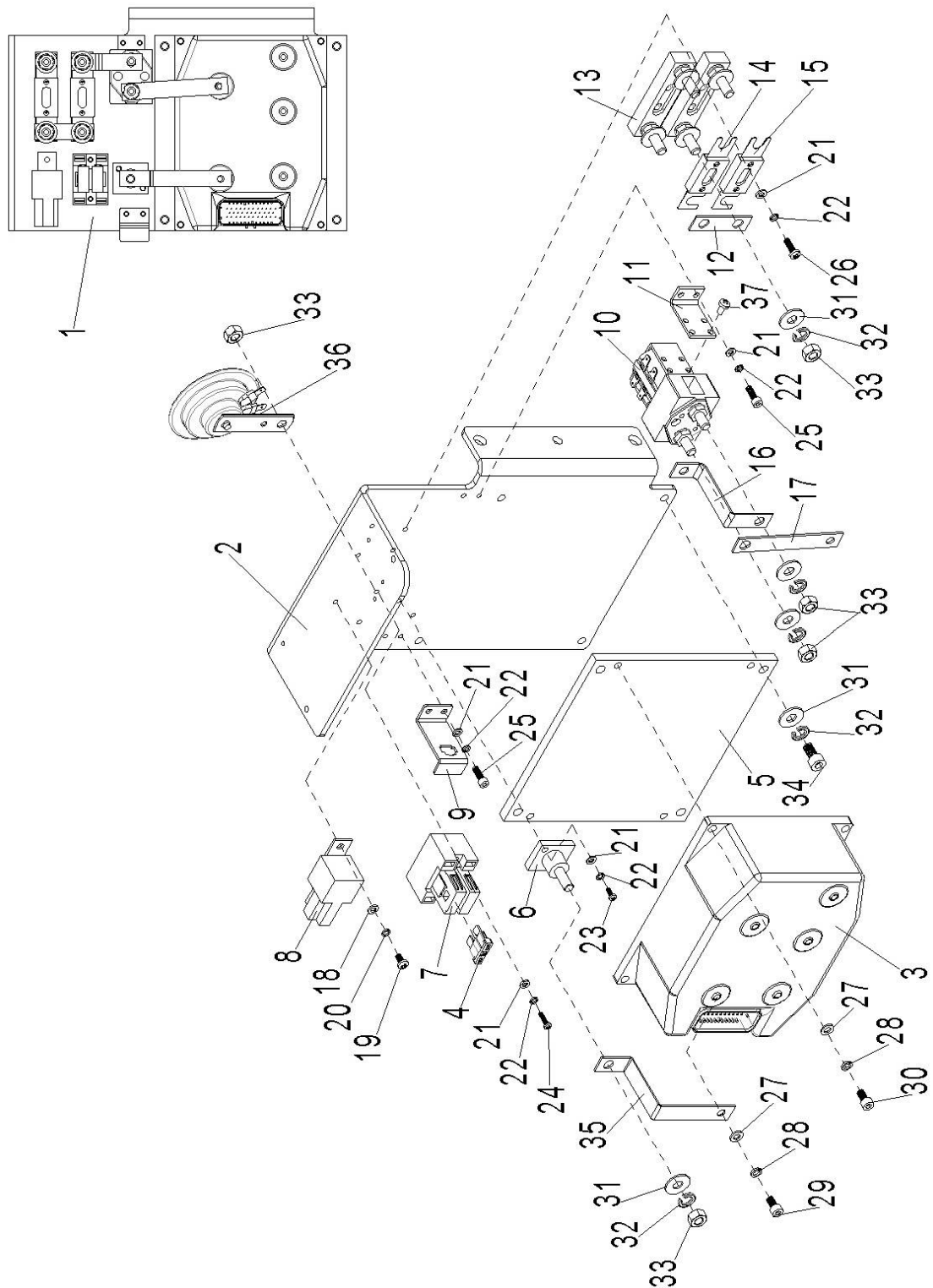


Fig. 35 Electric Control Assembly(Manual steering)

No.	Parts No.	Name	Qty.	Note	Standard
1	9000008375	Controller assembly	1		
2	9000008069	Electrical control assembly plate	1		
3	9000000235	Controller	1	CURTIS1232E-2121	
4	1000434040	Fuse	1	10A	
5	9000008376	Aluminium plate	1		
6	1020434002	Wiring terminal	1	BD-M8	
7	9000008586	Fuse seat	1	BD-2×10A-1	
8	1000434041	Pump contactor	1	ACR01F-F 1C DC24V	
9	9000007679	Plug fixing seat	1		
10	1000434006	Traction motor contactor	1	C100/120 DC24V	
11	9000008598	Main contactor assembly plate	1		
12	1020434003	Copper bar	1		
13	1000434007	Fuse seat	2	SY Y	
14	1020434001	Fuse	1	200A	
15	2210434004	Fuse	1	150A	
16	9000008374	Copper bar	1		
17	9000008373	Copper bar	1		
18	0000025014	Washer	1	5	GB/T95
19	0000023516	Screw	1	M5×10	GB/T818-2000=ISO 07045
20	0000025015	Washer	1	5	GB/T93
21	0000025018	Washer	12	4	GB/T93
22	0000025019	Washer	12	4	GB/T95
23	0000023073	Screw	2	M4×10	GB/T70.1=ISO476 2
24	0000023019	Screw	2	M4×30	GB/T818-2000=ISO 07045
25	0000023307	Screw	4	M4×10	GB/T818-2000=ISO 07045
26	0000023211	Screw	4	M4×16	GB/T818-2000=ISO 07045
27	0000025010	Washer	9	6	GB/T93
28	0000023055	Washer	9	6	GB/T95
29	0000023478	Screw	5	M6×12	GB/T70.1=ISO476

					2
30	0000023923	Screw	4	M6×18	GB/T70.1=ISO476 2
31	0000025001	Washer	12	8	GB/T93
32	0000025011	Washer	11	8	GB/T95
33	0000024086	Nut	12	M8	GB/T6170=ISO40 32
34	0000023067	Screw	4	M8×16	GB/T70.1=ISO476 2
35	9000008372	Copper bar	1		
36	1000434015	Horn	1	DC24V	
37	0000023727	Screw	2	M4×6	GB/T818-2000=IS O7045

NOBLIFT 诺力

Fig. 36 Foldable platform

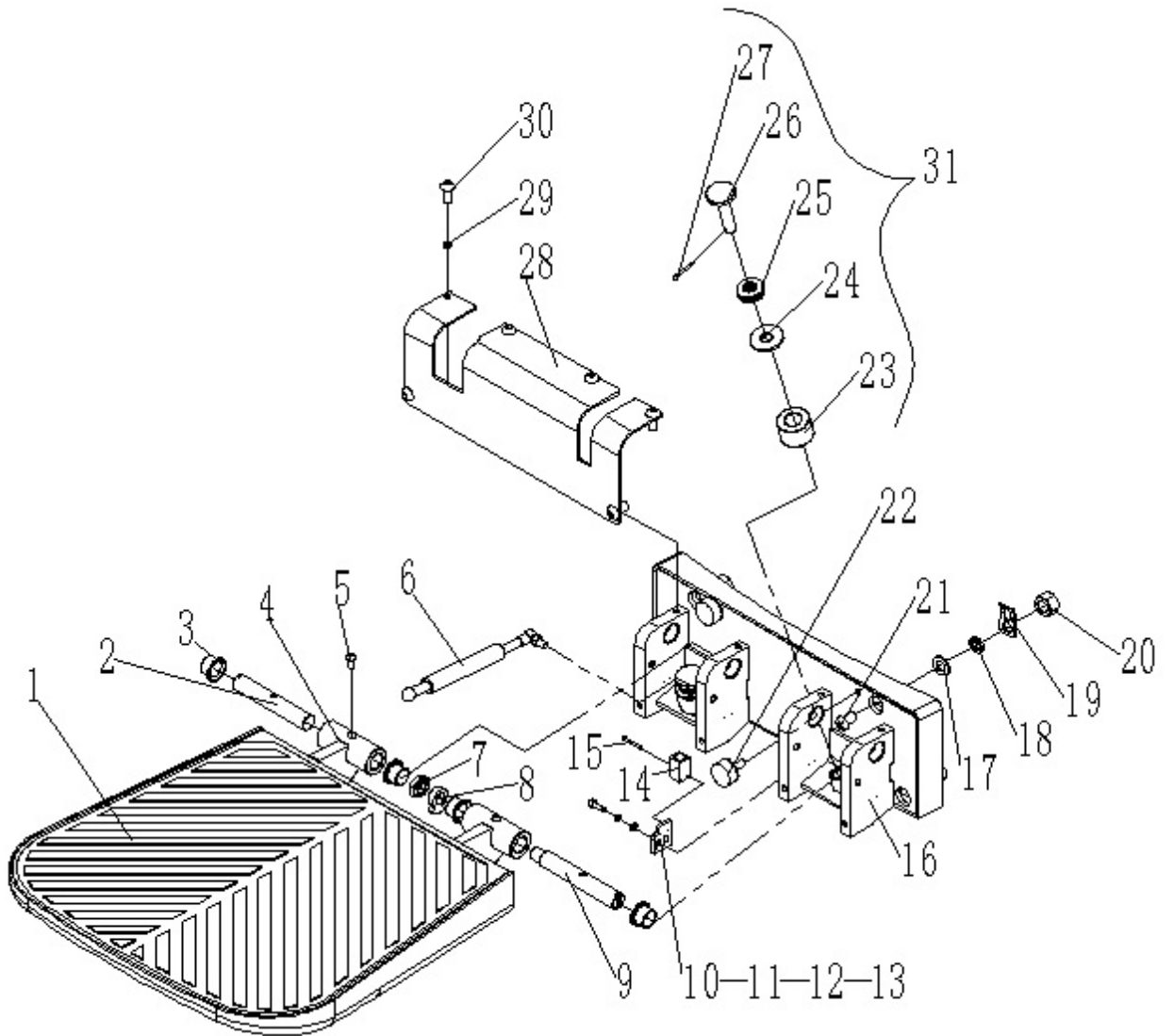
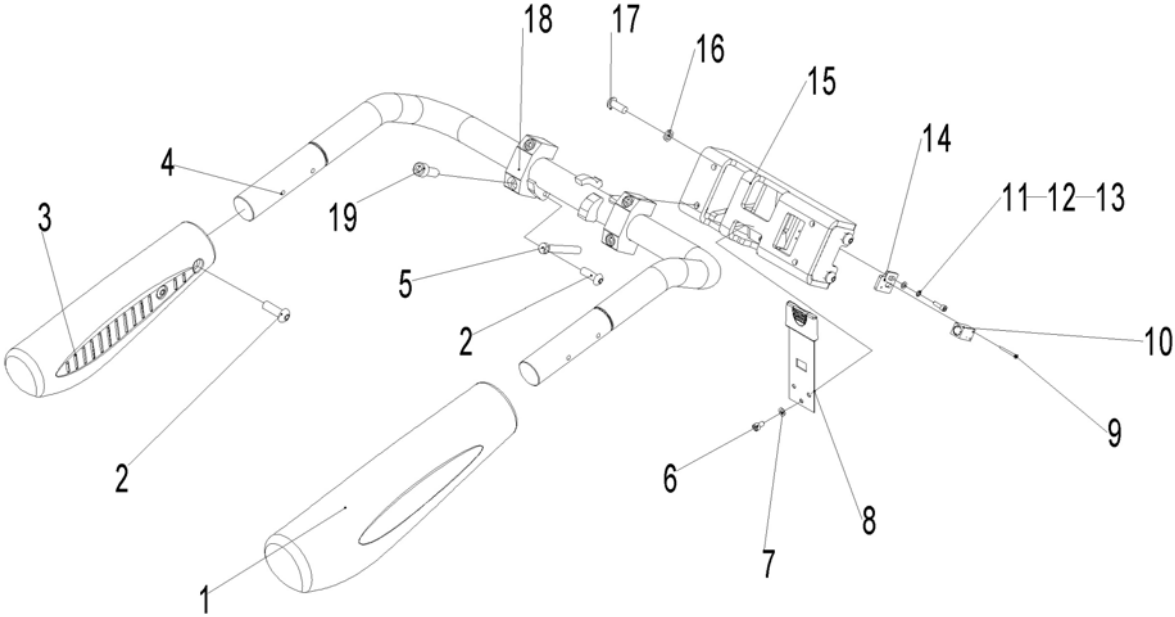


Fig. 36 Foldable platform

No.	Art No.	Description	Qty.	Note	Standard
1	9000007867	Pedal pad	1		
2	9000007869	Rotating axle	1		
3	9000007799	Harness	4	20×23×16. 5	
4	9000007863	Pedal	1		
5	0000023555	Screw	2	M6×16	GB/T70.2=ISO7380
6	2000421001	Air spring	1		
7	0000024014	Nut	1	M16×1.5	GB/T6173=ISO8675
8	9000007873	Cam	1		
9	9000007866	Cam shaft	1		
10	0000025012	Washer	2	5	GB/T93
11	0000023032	Washer	2	5	GB/T95
12	0000023107	Screw	2	M5×16	GB/T70.1=ISO4762
13	9000009799	Switch transition plate	1		
14	9000008328	Proximity switch	1	NBN5-F7-	
15	0000023075	Screw	2	M3×20	GB/T70.1=ISO4762
16	9000007864	Assembly seat	1		
17	0090000048	Washer	4	12	GB/T97.1-2002
18	0000025024	Washer	4	12	GB/T93
19	9000007874	Line hanging board	1		
20	0000024006	Lock nut	4	M12	GB/T889.1=ISO704
21	0090000450	Screw	4	M12×45	GB/T70.2=ISO7380
22	9000007865	Damping pad	2		
23	9000007872	Anti-vibration pad	2		
24	9000007871	Anti-vibration washer	2		
25	0000031001	Spring	8	16.3×31.5	GB/T1972-2005
26	9000007870	Bolt	2		
27	0000028033	Split pin	2	3.2×20	GB/T91=ISO1234
28	9000007868	Assembly seat cover	1		
29	0000025010	Washer	6	6	GB/T93
30	0000023045	Screw	6	M6×12	GB/T70.2=ISO7380
31	9000008897	Suspension components	2		

Fig. 37 Protective arm



NOBLIFT

Fig. 37 Protective Arm

No.	Art No.	Description	Qty.	Note	Standard
1	9000007895	Right protective arm cover	1		
2	0090000448	Screw	5	M8×20	GB/T70.2=ISO7380
3	9000007896	Left protective arm cover	1		
4	9000007894	Protective arm	1		
5	9000007780	Air spring	1		
6	0000023045	Screw	3	M6×12	GB/T70.2=ISO7380
7	0000025010	Washer	3	6	GB/T93
8	9000007897	Spring	1		
9	0000023075	Screw	2	M3×20	GB/T70.1=ISO4762
10	9000008329	Proximity switch	1	NBN5-F7-E2	
11	0000025012	Washer	2	5	GB/T93
12	0000023032	Washer	2	5	GB/T95
13	0000023107	Screw	2	M5×16	GB/T70.1=ISO4762
14	9000009799	Switch transition plate	1		
15	9000007892	Protective arm seat	1		
16	0000023006	Washer	4	10	GB/T93
17	0090000447	Screw	4	M10×25	GB/T70.2=ISO7380
18	9000007893	Protective arm clamp block	2		
19	0000023099	Screw	4	M10×45	GB/T70.1=ISO4762

Fig. 38 Backrest

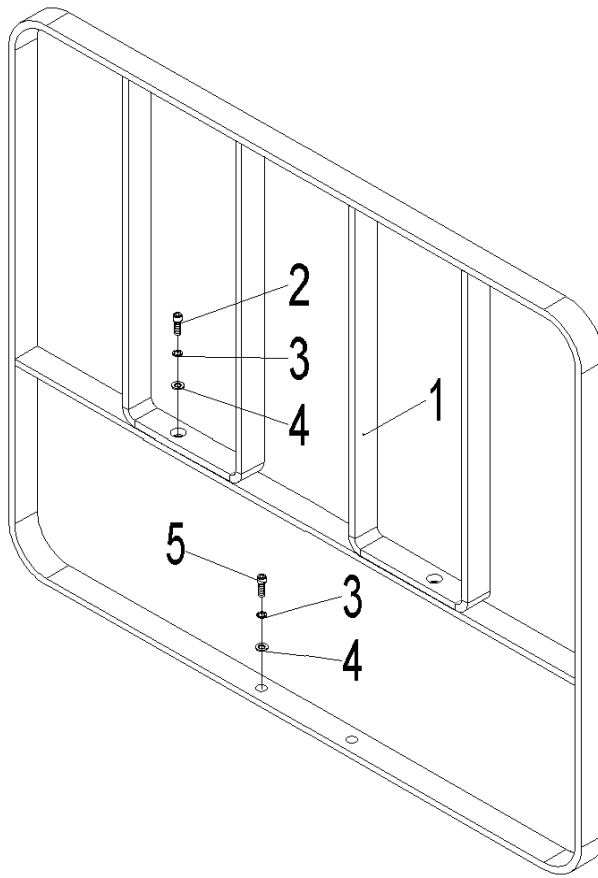


Fig. 38 Backrest

No.	Parts No.	Name	Qty.	Note	Standard
1	9000008259	Backrest frame	1		
2	0000023088	Screw	2	M10×25	GB/T70.1=ISO4762
3	0000025002	Washer	4	10	GB/T95
4	0000023006	Washer	4	10	GB/T93
5	0000023029	Screw	2	M10×35	GB/T70.1=ISO4762

Easy worn parts list

No.	Art No.	Description	Qty.	Fig./Position	Note
1	2220511001	Compound roller	4	Fig. 5/1	Pallet
2	9000010408	Castor complete	2	Fig. 6/1	Chassis system
3	9000003638	Castor	2	Fig. 7/13	Steering wheel
4	9000011731	Push rod kit 1150	2	Fig. 8/15	Push rod assembly
5	9000010398	Load roller set	2	Fig. 9/7	Load roller
6	2040511001	Compound roller	4	Fig. 14/7	Mast system
7	9000009943	Cylinder seal kit	1	Fig. 19/1	Two-stage mast Normal
8	9000009944	Cylinder seal kit	2	Fig. 20/1	Two-stage mast Full Free Lift
9	9000011759	Cylinder seal kit	1	Fig. 21/1	Chassis cylinder
10	9000007806	Damper	1	Fig. 24/7	Electric steering
11	1010121001	Air spring	1	Fig. 27/13	Handle
12	1000121001				
13	9000003582	Carbon brush	1	Fig. 29/2	Pump
14	2000335002			Fig. 29/2	
15	1020434001	Fuse 200A	1	Fig. 34/14 Fig. 35/14	Electric control
16	2210434004	Fuse 150A	1	Fig. 34/15 Fig. 35/15	
17	1000434040	Fuse 10A	1	Fig. 34/18 Fig. 35/4	
18	3042434014	Fuse 15A	1	Fig. 34/19	
19	9000007799	Harness 20×23×16.5	4	Fig. 36/3	Foot pedal
20	2000421001	Air spring (S≥70)	1	Fig. 36/6	
21	9000008897	Suspension components	2	Fig. 36/31	
22	9000007780	Air spring (S≥36)	1	Fig. 37/5	Protective arm