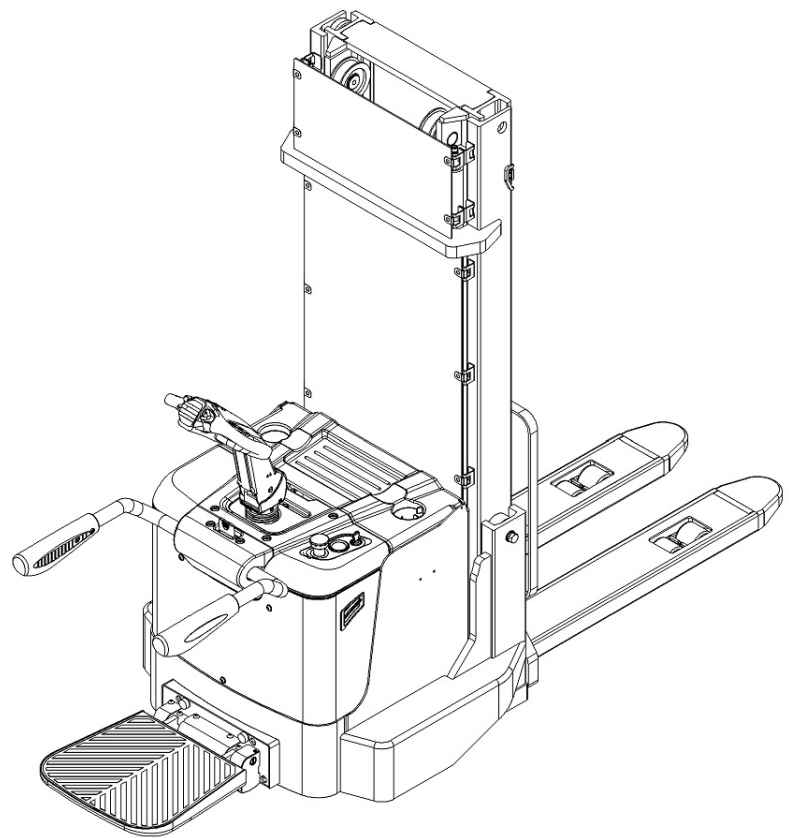


INSTRUCTION HANDBOOK

Electric Stacker



WARNING

Do not use the electric truck before reading and understanding these operating instructions.



NOTE:

- Please check the designation of your present type at the last page of this document as well as on the ID-plate.
- Keep for future reference.

Version 10/2014

PS 20-SMS-001-EN

NOBLIFT 诺力

FOREWORD

Before operating the electric stacker, read this ORIGINAL INSTRUCTION HANDBOOK carefully and understand the usage of the truck completely. Improper operation could create danger.

This handbook describes the usage of different electric stackers. When operating and servicing the truck, make sure, that it applies to your type.



Chapter 11 describes specialized stipulations and regulations for the American market. Follow these instructions and stipulations if you operate the truck within the American market!

Keep this handbook for future reference. If this or the warning/ caution labels are damaged or got lost, please contact your local dealer for replacement.

This truck complies with the requirements according to EN 3691-1 (Industrial trucks- safety requirements and verification, part 1), EN 12895 (Industrial trucks- electromagnetic compatibility), EN 12053 (Safety of industrial trucks- test methods for measuring noise emissions), EN 1175 (Industrial truck safety – electrical requirements), assumed the truck is used according to the described purpose.

The noise level for this machine is 69 dB(A) according to EN 12053.

The vibration is 0,85 m/s² (if equipped with a platform) according to EN 13059.

ATTENTION:

- Environmentally hazardous waste, such as batteries, oil and electronics, will have a negative effect on the environment, or health, if handled incorrectly.
- The waste packages should be sorted and put into solid dustbins according to the materials and be collected disposal by local special environment protection bureau. To avoid pollution, it's forbidden to throw away the wastes randomly.
- To avoid leaking during the use of the products, the user should prepare some absorbable materials (scraps of wooden or dry duster cloth) to absorb the leaking oil in time. To avoid second pollution to the environment, the used absorbable materials should be handed in to special departments in terms of local authorities.
- Our products are subject to ongoing developments. Because this handbook is only for the purpose of operating /servicing the stacker, therefore please have understanding, that there is no guarantee out of particular features out of this handbook.



NOTE: On this manual, the left sign means warning and danger, which can lead to death or serious injury if not followed.

Copyright

The copyright remains with the company, mentioned on the CE- certificate at the end of this document or, if sold within the USA, with the company, mentioned on the company sticker.

NOBLIFT 诺力

TABLE OF CONTENTS

| | |
|---|----|
| 1. CORRECT APPLICATION | 5 |
| 2. DESCRIPTION OF THE STACKER | 6 |
| a. Overview of the main components | 6 |
| b. Main technical data | 7 |
| c. Description of the safety devices and warning labels (Europe and other, excepting USA) | 8 |
| d. Identification plate | 9 |
| 3. WARNINGS, RESIDUAL RISK AND SAFETY INSTRUCTIONS | 9 |
| 4. COMMISSIONING, TRANSPORTING, DECOMMISSIONING | 10 |
| a. Commissioning | 10 |
| b. Lifting/ transportation | 10 |
| c. Decommissioning | 11 |
| 5. DAILY INSPECTION | 11 |
| 6. OPERATING INSTRUCTIONS | 12 |
| a. Parking | 12 |
| b. Residual lift diagram | 12 |
| c. Lifting | 13 |
| d. Lowering | 13 |
| e. Travelling | 13 |
| f. Steering | 14 |
| g. Braking | 14 |
| h. Malfunctions | 15 |
| i. Emergency | 15 |
| 7. BATTERY CHARGING AND REPLACEMENT | 15 |
| a. Replacement | 16 |
| b. Battery Indicator | 16 |
| c. Charging | 16 |
| 8. REGULAR MAINTENANCE | 17 |
| a. Maintenance checklist | 17 |
| b. Lubricating points | 19 |
| c. Check and refill hydraulic oil | 19 |
| d. Checking electrical fuses | 19 |
| e. Removing, reattaching guarding | 20 |
| 9. TROUBLE SHOOTING | 20 |
| 10. WIRING/ CIRCUIT DIAGRAM | 22 |
| a. Electrical circuit diagram | 22 |
| b. Hydraulic circuit | 23 |
| 11. SPECIALIZED STIPULATIONS FOR THE US- AMERICAN MARKET | 24 |
| a. Foreword/ Compliance | 24 |
| b. Description warning labels (only US- market) | 25 |
| c. Technical data for US market | 28 |
| 12. DECLARATION OF CONFORMITY (valid, if sold within the EU) | 30 |

1. CORRECT APPLICATION

It is only allowed to use this electric stacker according to this instruction handbook.

The trucks described in this handbook are self propelled pedestrian controlled electric power stacker, with electrically powered low height lifting function. The trucks are designed for stacking operations in dedicated racking by lifting and lowering the palletized load up to the desired lifting height.

A wrong usage can cause human injuries or can damage equipment.

The operator/ the operating company has to ensure the correct usage and has to ensure, that this truck is used only by staff, which is trained and authorized to use this truck.

The truck has to be used on substantially firm, smooth, prepared, level and adequate surfaces. The truck is intended to be used for indoor applications with ambient temperatures between +5°C and + 40°C and for intensive operations without crossing permanent obstacles or potholes. Operating on ramps is not allowed. While operating, the load must be placed approximately on the longitudinal centre plane of the stacker.

Lifting or transporting people is forbidden. If travelling the load must be lowered to the lifting point.

It is not allowed to use this truck on tail lifts or loading ramps.

The capacity is marked on the load diagram as well on the Identification plate. The operator has to consider the warnings and safety instructions.

Operating lighting must be minimum 50 Lux.

Modification

No modifications or alterations to this truck which may affect, for example, capacity, stability or safety requirements of the truck, shall be made without the prior written approval of the original truck manufacturer, its authorized representative, or a successor thereof. This includes changes affecting, for example braking, steering, visibility and the addition of removable attachments. When the manufacturer or its successor approve a modification or alteration, they shall also make and approve appropriate changes to capacity plate, decals, tags and operation and maintenance handbooks.

By not observing these instructions, the warranty becomes void.

2. DESCRIPTION OF THE STACKER

a. Overview of the main components

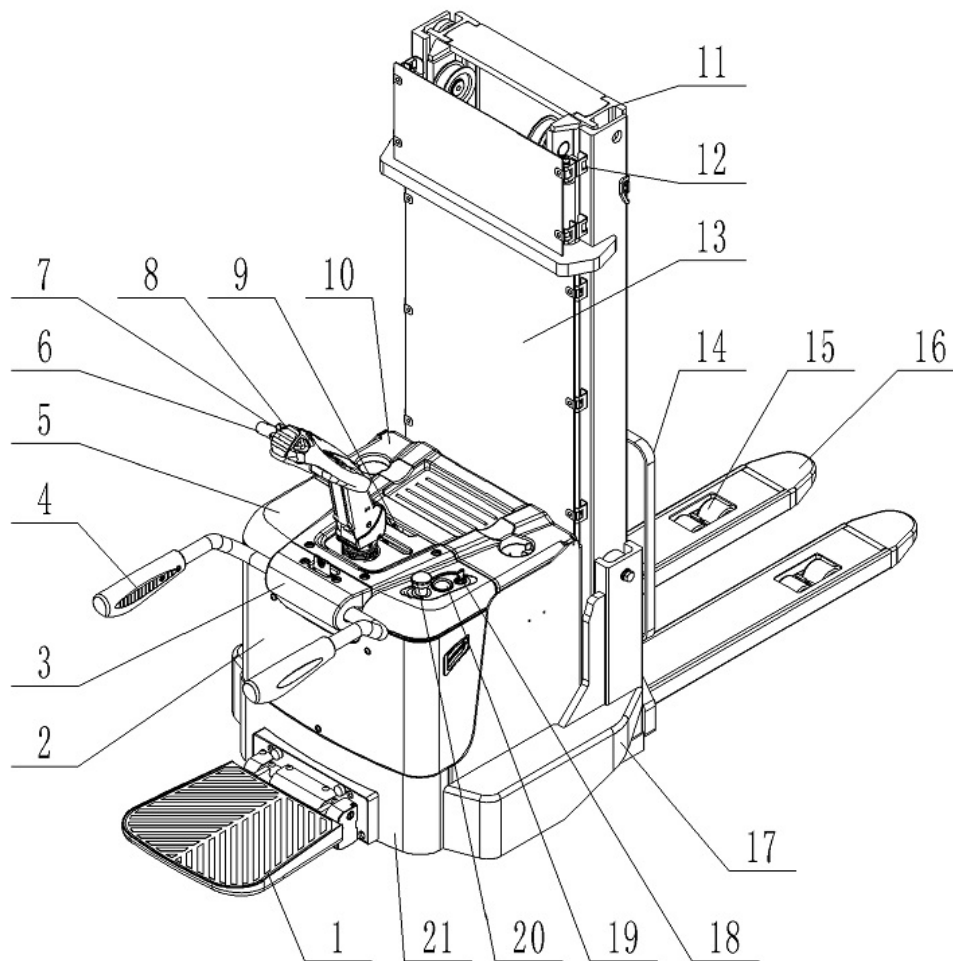


Fig. 1: Overview main components

- | | |
|-----------------------------------|---|
| 1. Foldable platform | 12. Assembly board |
| 2. Main cover | 13. Protective board |
| 3. Protective arm cover | 14. Load backrest |
| 4. Protective arms | 15. Load wheels |
| 5. Upper cover | 16. Forks |
| 6. Tiller | 17. Pallet |
| 7. Safety (belly) button | 18. Key switch |
| 8. Accelerator (butterfly button) | 19. Discharge indicator and charging indicating LED |
| 9. Middle cover | 20. Emergency button |
| 10. Battery cover | 21. Chassis |
| 11. Mast | |

b. Main technical data

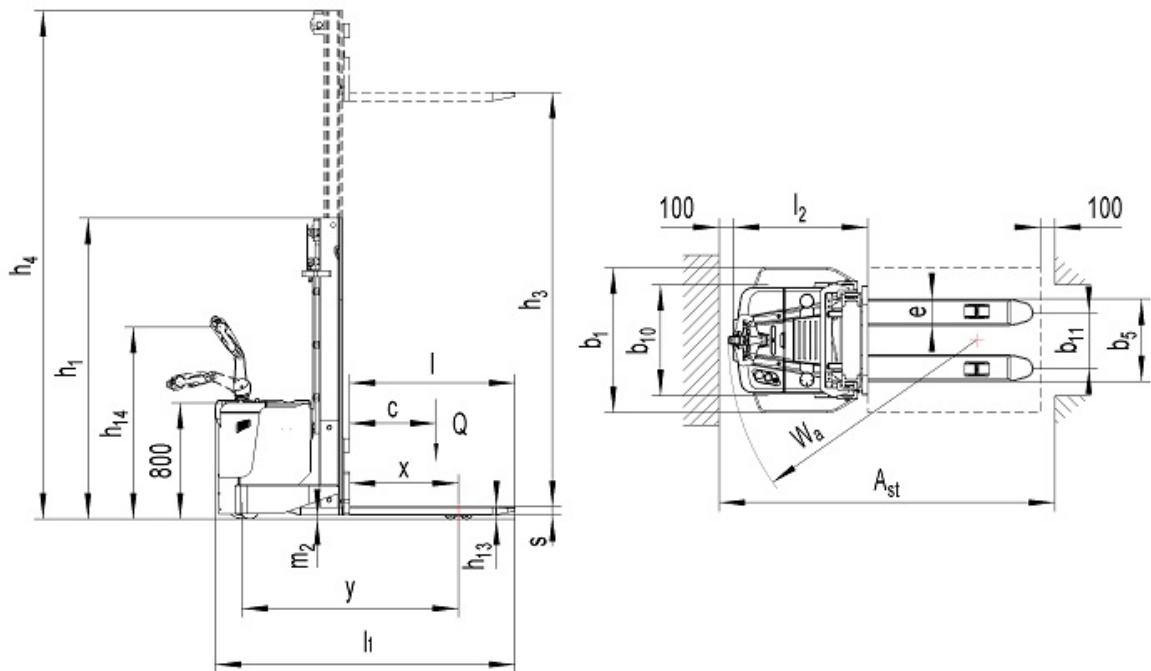


Fig. 2: Technical data

Table1: Main technical data for standard version

| Type sheet for industrial truck acc. to VDI 2198 | | | | | | |
|--|-----------------|---|----------------------|-------------------|---------------|---------------|
| Distinguishing mark | 1.2 | Manufacturer's type designation | | PS 20 | | |
| | | | | 2600 | 2900 | 3600 |
| | 1.3 | Power (battery ,diesel, petrol, gas, manual) | | Battery | | |
| | 1.4 | Operator type | | Pedestrian | | |
| | 1.5 | Load Capacity / rated load | Q (t) | 2 | | |
| | 1.6 | Load centre distance | C (mm) | 600 | | |
| | 1.8 | Load distance ,centre of drive axle to fork | X (mm) | 760 | | |
| 1.9 | Wheelbase | Y(mm) | 1508 | | | |
| Weight | 2.1 | Service weight | kg | 1440 | 1460 | 1515 |
| | 2.2 | Axle loading, laden front/rear | kg | 1245 /2195 | 1250 /2210 | 1270 /2245 |
| | 2.3 | Axle loading, unladen front/rear | kg | 1020 /420 | 1030 /430 | 1070 /445 |
| Tires, chassis | 3.1 | Tires | | Polyurethane (PU) | | |
| | 3.2 | Tire size, front | Ø x w (mm) | Ø230×75 | | |
| | 3.3 | Tire size, rear | Ø x w (mm) | Ø84×70 | | |
| | 3.4 | Additional wheels(dimensions) | Ø x w (mm) | Ø124×60 | | |
| | 3.5 | Wheels, number front/rear(x=driven wheels) | | 1x+2/4 | | |
| | 3.6 | Tread, front | b ₁₀ (mm) | 766 | | |
| | 3.7 | Tread, rear | b ₁₁ (mm) | 400/515 | | |
| Dimensions | 4.2 | Lowered mast height | h ₁ (mm) | 1930 | 2080 | 2430 |
| | 4.3 | Free lift height | h ₂ (mm) | - | | |
| | 4.4 | Lift | h ₃ (mm) | 2515 | 2815 | 3515 |
| | 4.5 | Extended mast height | h ₄ (mm) | 3187.5 | 3487.5 | 4187.5 |
| | 4.9 | Height of tiller in drive position min./ max. | h ₁₄ (mm) | 964/1326 | | |
| 4.15 | Height, lowered | h ₁₃ (mm) | 85 | | | |

| | | | | |
|------------------|------|---|---------------|-------------------|
| | 4.19 | Overall length | l_1 (mm) | 2083 |
| | 4.20 | Length to face of forks | l_2 (mm) | 933 |
| | 4.21 | Overall width | b_1 (mm) | 1000 |
| | 4.22 | Fork dimensions | s/e/l (mm) | 60/185/1150 |
| | 4.25 | Distance between fork- arms | b_5 (mm) | 570/685 |
| | 4.32 | Ground clearance, centre of wheelbase | m_2 (mm) | 25 |
| | 4.33 | Aisle width for pallets 1000X1200 lengthways | A_{st} (mm) | 2572 |
| | 4.34 | Aisle width for pallets 800X1200 lengthways | A_{st} (mm) | 2520 |
| | 4.35 | Turning radius | W_a (mm) | 1725 |
| Performance data | 5.1 | Travel speed, laden/unladen | Km/h | 5.2/5.5 |
| | 5.2 | Lift speed, laden/ unladen | m/s | 0.11/0.16 |
| | 5.3 | Lowering speed, laden/ unladen | m/s | 0.1/0.1 |
| | 5.8 | Max. gradeability performance, laden/ unladen | % | 6/12 |
| | 5.10 | Service brake | | Electromagnetic |
| Electric-engine | 6.1 | Drive motor rating S2 60min | kW | 1.3 |
| | 6.2 | Lift motor rating at S3 15% | kW | 3.0 |
| | 6.3 | Battery acc. to DIN 43531/35/36 A, B, C, no | | B, 3PzS |
| | 6.4 | Battery voltage, nominal capacity K5 | V/Ah | 24/350 |
| | 6.5 | Battery weight | kg | 288 |
| | 6.6 | Energy consumption acc. to VDI cycle | Kwh/h | 2.83 |
| Additional data | 8.1 | Type of drive control | | AC- speed control |
| | 8.4 | Sound level at driver's ear according to EN 12053 | dB(A) | 69 |
| | | | | |

c. Description of the safety devices and warning labels (Europe and other, excepting USA)



For the USA –market, the description of the safety and warning labels is mentioned in chapter 11.

- A Crane hook label
- B Warning decal: Do not step under or on the forks
- C Residual lift capacity sticker
- E Never reach through
- F Identification plate (ID-plate)
- G Sticker to read and follow these instructions
- L Sign of filling point

The truck has an emergency button (20) which stops all lifting-, lowering-, driving- functions and engages the failsafe electromagnetic brake when it is pushed. By pulling this button, the truck can be operated after the controller checked the functions. Before operating, insert the key and turn the switch (18) clockwise. To prevent against unauthorized access, turn the key anti-clockwise

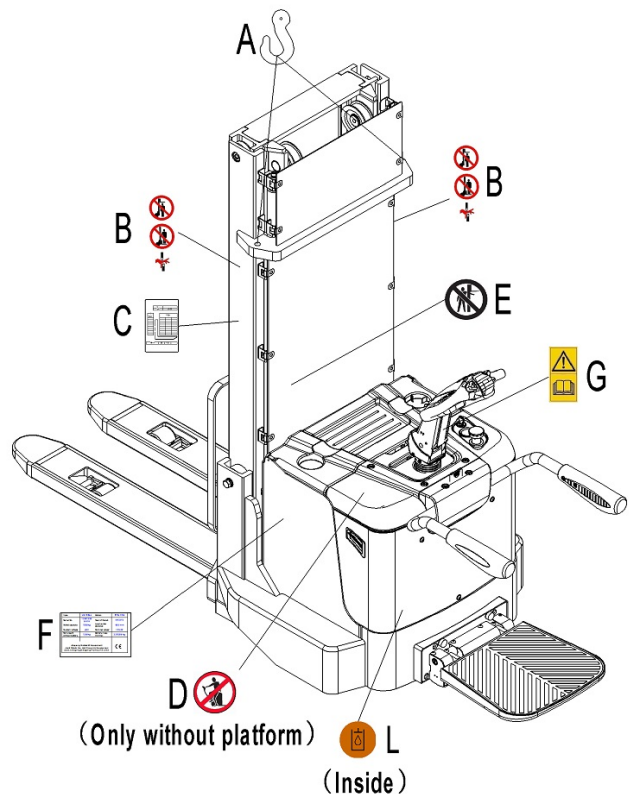


Fig.3: Safety and warning labels

and remove it, if you not operate this truck. The truck is equipped with a safety (belly) button (7) which switches the driving function away from the operator, if the truck travels towards the operator and the tiller is activated in the tillers operating zone. Follow also the instructions given on the decals. Replace the decals if they are damaged or missing.

d. Identification plate

- | | | | |
|---|--|----|---------------------------------|
| 1 | Designation, type | 7 | Battery weight minimum/ maximum |
| 2 | Serial number | 8 | Nominal power in kW |
| 3 | Rated capacity in kg | 9 | Load center distance |
| 4 | Supply voltage in V | 10 | Manufacturing data |
| 5 | Own mass (self weight) in kg without battery | 11 | Option |
| 6 | Name and address of manufacturer) | | |

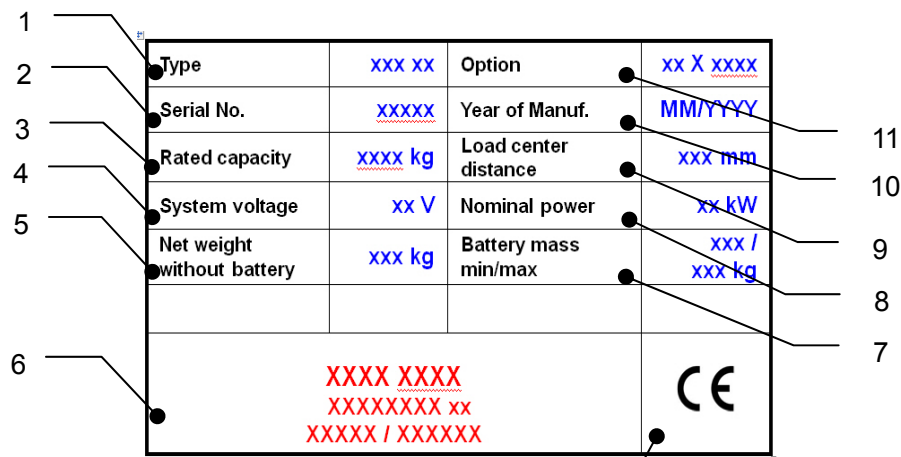


Fig. 4: Identification plate

If sold to the EU, here the place of the CE marking

3. WARNINGS, RESIDUAL RISK AND SAFETY INSTRUCTIONS



DO NOT

- Drive outside the stacking operation with a lifted load higher than the lifting point.
- Put foot or hand under or into the lifting mechanism.
- Allow other person than the operator to stand in front of or behind the truck when it is moving or lifting/lowering.
- Overload the truck.
- Put foot in front of the wheels, injury could result.
- Lift people. People could fall down and suffer severe injury.
- Push or pull loads.
- Use this truck on ramps.
- Use the truck without a removed protective screen (fig.1, pos. 17/ guarding).

- Side or end load. Load must be distributed evenly on the forks.
- Use the truck with unstable, unbalanced not stable load.
- Use truck without manufacturer's written consent.
- Lifted loads could become unstable at wind forces. In the case of wind forces do not lift the load if there is any influence to the stability

Watch difference in floor levels when driving. Load could fall down or the truck could get uncontrollable. Keep watching the condition of load. Stop operating the truck if load becomes unstable. Brake the truck and activate the emergency button (11) by pushing when sliding load on or off the truck. If the truck has any malfunctions, follow chapter 8.

Practice maintenance work according to regular inspection. This truck is not designed to be water resistant. Use the truck under dry condition. Prolonged continuous operation might cause damage of the power pack. Stop operation if temperature of hydraulic oil is too high.



- When operating the truck, the operator has to wear safety shoes.
- The truck is intended to be used for indoor applications with ambient temperatures between +5°C and + 40°C.
- The operating lighting must be minimum 50 Lux.
- It is not allowed to use the truck on ramps.
- To prevent unintended sudden movements when not operating the truck (i.e. from another person, etc.) switch off the truck and remove the key.

4. COMMISSIONING, TRANSPORTING, DECOMMISSIONING

a. Commissioning

Table 2: Commissioning data

| Type | PS 20 / 2600 | PS 20 / 2900 | PS 20 / 3600 |
|---------------------------|--------------|--------------|--------------|
| Commissioning weight [kg] | 1475 | 1495 | 1550 |
| Version/ Lift [mm] | 2600 | 2900 | 3600 |

After receiving our new truck or for re-commissioning you have to do following before (firstly) operating the truck:

- Check if are all parts included and not damaged
- Eventually installation and charging the batteries (follow chapter 7)
- Do the work according to the daily inspections as well as functional checks.

b. Lifting/ transportation

For transporting, remove the load, lower the forks to the lowest position and fix the truck safe with dedicated lifting gear according to the following figures.

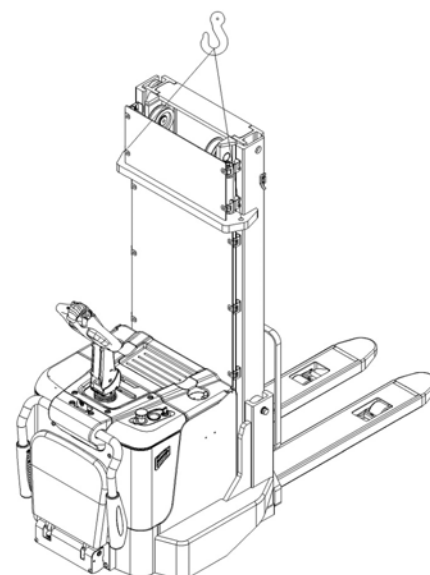


Fig.5: Lifting with a crane

Lifting



USE DEDICATED CRANE AND LIFTING EQUIPMENT
DO NOT STAND UNDER THE SWAYING LOAD
DO NOT WALK INTO THE HAZARDOUS AREA
DURING LIFTING

Lower the forks and park the truck securely.

Fasten the truck according to fig.6 by fixing dedicated lashing belts to each side of the truck's crane hook holes and fasten the other side at the transporting truck.

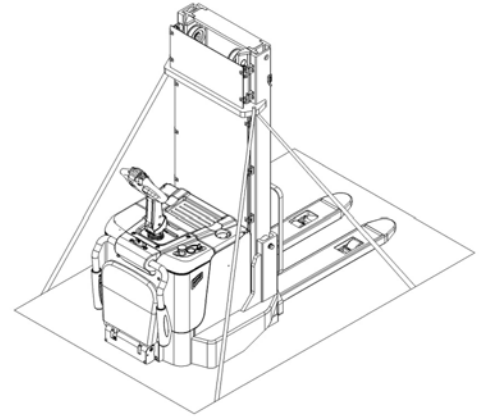


Fig. 6: Fixing points

Transportation



DURING TRANSPORTATION ON A LORRY OR TRUCK ALWAYS FASTEN THE TRUCK SECURELY

Lower the forks and park the truck on the iron plate securely. Fixe the forks by the iron sheet with two screws. Fasten the truck by fixing dedicated lashing belts according to fig. 6 and fasten the other side at the transporting truck.

c. Decommissioning

For storage, remove the load, lower the truck to the lowest position, grease all in this handbook mentioned greasing points (regular inspection), eventual protect the truck against corrosion and dust. Remove the batteries and jack the truck safely, so that there will be no flattening after storage.

For final decommissioning hand the truck to a designated recycling company. Oil, batteries and electric components must be recycled due to legal regulations.

5. DAILY INSPECTION

This chapter describes pre-shift checks before putting the truck into operation.

Daily inspection is effective to find the malfunction or fault on this truck. Check the truck on the following points before operation.



Remove load from truck and lower the forks.
DO NOT USE THE TRUCK IF ANY MALFUNCTION IS FOUND.

- Check for scratches, deformation or cracks.
- Check if there is any oil leakage from the cylinder.
- Check the vertical creep of the truck.
- Check the chain and rollers for damages or corrosion.
- Check the smooth movement of the wheels.
- Check the function of the emergency brake by activating the emergency button.

- Check, the tiller arm- switch braking function
- Check the lifting and lowering functions by operating the buttons.
- Check if the protective screen has no damages and that is correctly assembled.
- Check the audio warning signal.
- Check if all bolts and nuts are tightened firmly.
- Check the function of the key switch.
- Check the speed limitation switch.
- Visual check if there are any broken hoses or broken electric wires.
- If supplied with a backrest extension, check it for damages and correct assembling.

6. OPERATING INSTRUCTIONS



BEFORE OPERATING THIS TRUCK, PLEASE FOLLOW THE WARNINGS AND SAFETY INSTRUCTIONS (CHAPTER 3).

BEFORE OPERATING THIS TRUCK, ENSURE THAT THE LOAD OR OTHER EQUIPMENT NOT CAUSES INSUFFICIENT VISIBILITY!

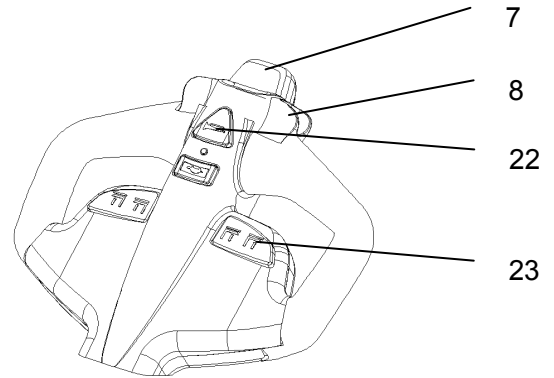


Fig.7: Tiller operating controls

Make sure, that the load is palletized and stable and that the daily inspection is carried out. For starting, insert the key and turn it clockwise to the “ON”- position. Eventually before inserting the key switch (18), the emergency button (20) must be pulled carefully.

Press the horn button (22) to activate the audible warning signal.

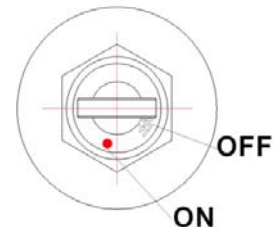


Fig.8: Key switch

a. Parking



DO NOT PARK THE TRUCK ON INCLINED SURFACES

The truck is equipped with an electromagnetic failsafe stopping and parking brake.

Always lower the forks fully and drive the truck to a safe area. Turn the key anti- clockwise to the “Off” – position and remove the key.

b. Residual lift diagram

The residual lift diagram indicates the maximum capacity Q [kg] for a given load centre c [mm] and the corresponding lift height H [mm] for the truck with horizontal load.

The white markings on the mast indicate if the specific lifting limits reached. For instance with a load centre of gravity distance c of 600 mm and a maximum lift height H of 3600 mm, the max. capacity Q is 2000 kg.

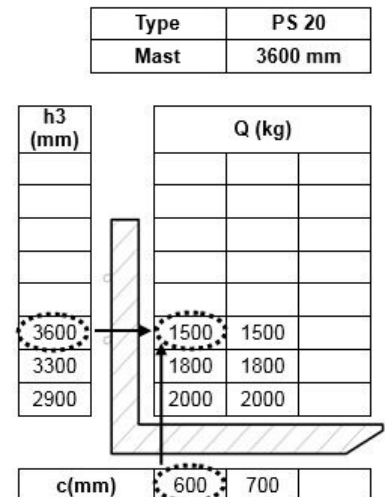


Fig. 9: Residual lift diagram

c. Lifting



DO NOT OVERLOAD THE TRUCK! THE MAXIMUM CAPACITY IS 2000 kg. LIFT ONLY CAPACITIES ACCORDING TO THE RESIDUAL LIFT DIAGRAM.

Travel with the lowered forks fully underneath the pallet and press the lifting button (fig. 7, 22) until you reached the desired lifting height.

d. Lowering

If the forks are in the racking, firstly travel out of the racking carefully with or without the pallet. By travelling out of the racking, take care that the forks are not touching the racking.

Press the lowering button (fig. 7, 23) carefully.

Lower the load until the forks are clear of the pallet, then drive the truck carefully out of the load unit.

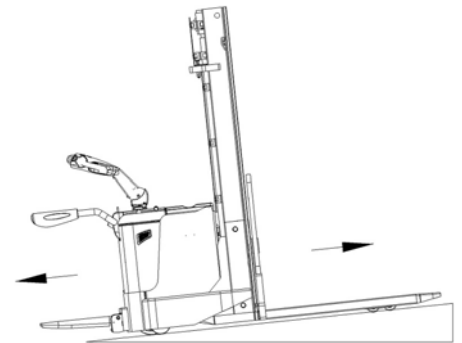


Fig.10: Load facing uphill

e. Travelling



TRAVEL ON INCLINES ONLY WITH THE LOAD FACING UPHILL.

DO NOT TRAVEL ON INCLINES MORE THAN SPECIFIED WITH THE TECHNICAL DATA.

TRAVELLING IS ONLY ALLOWED IF THE FORKS ARE LOWERED DOWN TO THE LIFTING POINT (<300MM).

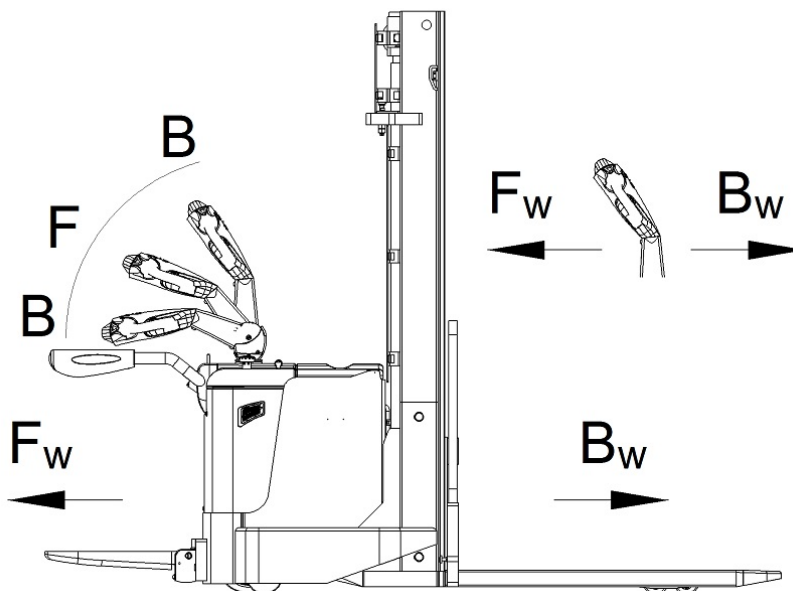


Fig.11: Operating direction

After starting the truck by turning the inserted key to the "ON"- position (fig. 8),; and eventually by pulling the emergency button carefully, move the tiller to the operating zone ('F', fig.11).

Turn the accelerator button to the desired direction forward 'Fw.' Or backwards 'Bw.'(fig. 11).

Control the travelling speed by moving the accelerator button (8) carefully until you reached the desired

speed.

If you move the accelerator button back to the neutral position, the controller decelerates the truck until the truck stops. If the truck stopped, the parking brake will be engaged.

Drive carefully the truck to the destination. Watch the route conditions and adjust the travelling speed with the accelerator- button.



THE TRUCK CAN BE EQUIPPED OPTIONAL WITH A FOLDABLE PLATFORM AND SIDEWAYS PROTECTIVE ARMS.

PAY ATTENTION, THE BEHAVIOR FOR THE RIDE ON MODE IS DIFFERENT TO THE PEDESTRIAN MODE.

Besides the pedestrian mode, following travelling modes can be used:

- Travelling with platform (1) folded downside and sideways arms (4) in protective position
Travelling with maximum speed.
- Travelling with platform (1) folded downside and sideways arms (4) folded downside
Depending on the Controllers parameter setting, the speed might be lower, but not higher than 5.5km/h.
- Travelling with platform (1) folded upright and sideways arms (4) folded downside
Depending on the Controllers parameter setting, the speed might be lower, but not higher than 5.5km/h.

f. Steering



OPTIONAL THE TRUCK CAN BE EQUIPPED WITH AN ELECTRIC STEERING SYSTEM. TAKE CARE BY OPERATING A TRUCK WITH THIS KIND OF SYSTEM; THE BEHAVIOR OF THE TRUCK MIGHT BE DIFFERENT THAN TO A TRUCK WITHOUT ELECTRIC STEERING SYSTEM.

You steer the truck by moving the tiller to the left or right side.

g. Braking



THE BRAKING PERFORMANCE DEPENDS ON THE TRACK CONDITONS AND THE LOAD CONDITONS OF THE TRUCK

The braking function can be activated on several ways:

- By moving the accelerator button (8) back to the initial '0' position or by releasing the button, the regenerative braking is activated. The truck brakes until it stops.
- By moving the accelerator button (8) from one driving direction directly to the opposite direction, the truck brakes regenerative until it starts travelling into the opposite direction.
- The truck brakes, if the tiller is moved up or down to the braking zones ('B'). If the tiller is released, the tiller moves automatically up to the upper baking zone ('B').
The truck brakes until it stops.

- The safety (belly) button (7) prevents the operator from being crushed. If this button is activated, the truck decelerates and/ or starts travelling into the backwards direction ('Bw.') for a short distance and stops. Please consider, that this button also operates, if the truck is not travelling and the tiller is in the operating zone.

h. Malfunctions

If there are any malfunctions or the truck is inoperative, please stop using the truck and activate the emergency button (20) by pushing it. If possible, park the truck on a safe area, turn the key switch (18) anti- clockwise and remove the key.

Inform immediately the manager and, or call your service. If necessary, tow the truck out of the operating area by using dedicated towing/ lifting equipment.

i. Emergency

In emergencies or in the event of tip over (or off dock), keep safe distance immediately. If possible push the emergency button (20). All electrical functions will be stopped.

7. BATTERY CHARGING AND REPLACEMENT



- Only qualified personnel are allowed to service or charge the batteries. The instructions of this handbook and from the battery- manufacturer must be observed.
- The batteries are liquid acid traction batteries. Optional maintenance free batteries are available; for these batteries re- filling is prohibited.
- Recycling of batteries undergoes national regulations. Please follow these regulations.
- By handling batteries, open fire is prohibited, gases could cause explosion!
- In the area of battery charging neither burning materials nor burning liquids are allowed. Smoking is prohibited and the area must be ventilated.
- Park the truck securely before starting charging or installing/changing the batteries
- Before finishing the maintenance work, make sure, that all cables are connected correctly and that there are no disturbing towards other components of the truck.

Depending on the version, the truck is equipped with following liquid acid traction battery- type:

1 pc 3PzS 24V/ 350 Ah (C5) [624x284x627 (LxWxH)]



IT IS ONLY ALLOWED TO USE LIQUID ACID TRACTION BATTERIES.
THE WEIGHT OF THE BATTERIES HAS AN INFLUENCE TO THE TRUCKS OPERATING BEHAVIOR.
PLEASE CONSIDER THE MAXIMUM OPERATING TEMPERATURE OF THE BATTERIES.

a. Replacement

Park the truck securely and switch off the stacker with the key (18) and activate the emergency button (20). Open the battery cover and pull out the hinge. Then remove the battery cover, unscrew and remove the battery fixing plate, pull out the battery plug (Fig.14), and take the batteries out with a crane. The installation is in the reverse order of the removal. Please connect the positive terminals firstly. Otherwise the truck could be damaged.

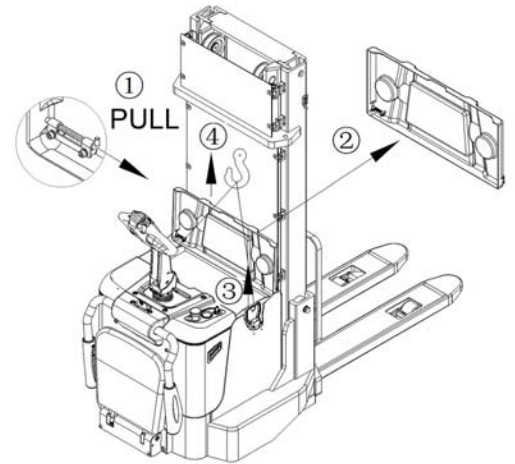
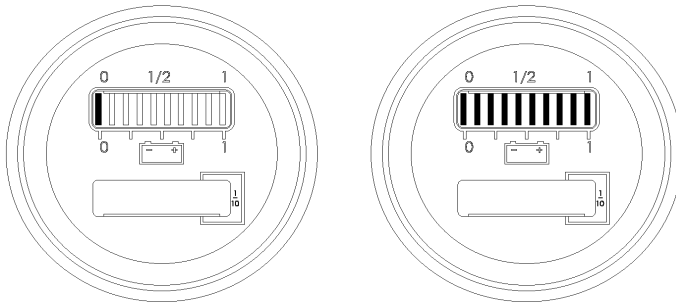


Fig. 12: battery replacement

b. Battery Indicator

The discharge status is indicated by ten red LED segments.



Battery discharged

Battery charged

Fig.13: Battery discharge indicator

Only when the battery is properly charged, the most right LED lit. As the battery's state-of-charge decreases, successive LEDs light up, only one on at a time.

- The 2nd from left LED flashes, indicating "energy reserve" (70% depth of discharge).
- The 2 most left LEDs alternately flash, indicating "empty" (80% depth of discharge).

c. Charging



- Before charging ensure that you are using an appropriate charger for charging the installed battery!
- Before using the charger, please fully understand the instructions of the charger instructions.
- Always follow these instructions!
- The room, where you are charging must be ventilated.
- The exactly charge status can be only checked from the discharge indicator. To control the status, the charging must be interrupted and the truck must be started.

Park the truck at a dedicated secured area with a deidcated power supply.

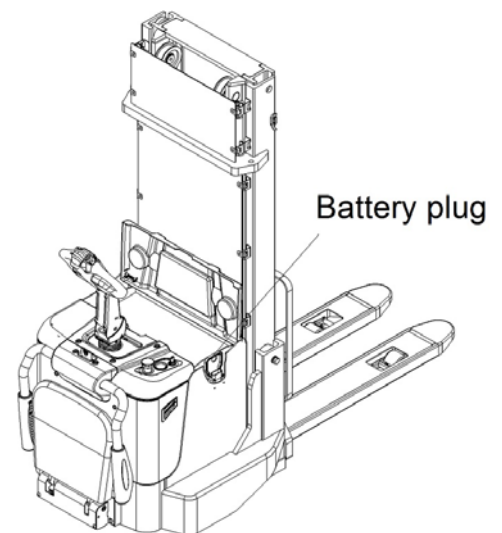


Fig.14: Battery charging

Lower the forks and remove the load.

Open the battery cover and let it stay upright.

Switch the truck off and connect the battery plug to the charging plug of the charger.

The charger starts charging the battery if the charger is connected to the main power supply.

Disconnect the battery plugs after the charger finished charging.

Connect the battery plug with the plug at the truck.

Close the battery cover.

8. REGULAR MAINTENANCE



- Only qualified and trained personnel are allowed to do maintenance on this truck.
 - Before maintaining, remove the load and lower the forks to the lowest position.
 - If you need to lift the truck, follow chapter 4 b by using designated lashing or jacking equipment. Before working, put safety devices (for instance designated lift jacks, wedges or wooden blocks) under the truck to protect against accidental lowering, movement or slipping.
 - Please pay attention by maintain the tiller arm. The gas pressure spring is pre-loaded by compression. Carelessness can cause injury.
 - Use approved and from your dealer released original spare parts.
 - Please consider that oil leakage of hydraulic fluid can cause failures and accidents.
 - It is allowed to adjust the pressure valve only from trained service technicians.
 - If you need to change the wheels, please follow the instructions above. The castors must be round and they should have no abnormal abrasion.
- Check the items emphasized maintenance checklist.

a. Maintenance checklist

| Table 3: Maintenance checklist | | Interval (Month) | | | |
|--------------------------------|--|------------------|---|---|----|
| | | 1 | 3 | 6 | 12 |
| Hydraulic | | | | | |
| 1 | Check the hydraulic cylinder, piston for damage noise and leakage | | • | | |
| 2 | Check the hydraulic joints and hose for damage and leakage | | • | | |
| 3 | Inspect the hydraulic oil level, refill if necessary | | • | | |
| 4 | Refill the hydraulic oil (12 month or 1500 working hours) | | | | • |
| 5 | Check and adjust the function of the pressure valve (1500 kg +0/ +10%) | | | | • |
| Mechanical system | | | | | |
| 6 | Inspect the forks for deformation and cracks | | • | | |
| 7 | Check the chassis for deformation and cracks | | • | | |
| 8 | Check if all screws are fixed | | • | | |
| 9 | Check mast and chain for corrosion, deformation or damages, replace if necessary | • | | | |
| 10 | Check the gearbox for noise and leakage | | • | | |
| 11 | Check the wheels for deformation and damages, replace if necessary | | • | | |
| 12 | Lubricate the steering bearing | | | | • |
| 13 | Inspect and lubricate the pivot points | | • | | |

| | | | | | |
|-----------------|--|---|---|---|--|
| 14 | Lubricate the grease nipples | • | | | |
| 15 | Replace the guarding and/or protective screen if it is damaged | • | | | |
| Electric system | | | | | |
| 16 | Inspect the electric wiring for damage | | • | | |
| 17 | Check the electric connections and terminals | | • | | |
| 18 | Test the Emergency switch function | | • | | |
| 19 | Check the electric drive motor for noise and damages | | • | | |
| 20 | Test the display | | • | | |
| 21 | Check if correct fuses are used, if necessary replace. | | • | | |
| 22 | Test the audio warning signal | | • | | |
| 23 | Check the contactors | | • | | |
| 24 | Check the frame leakage (insulation test) | | • | | |
| 25 | Check function and wear of the accelerator | | • | | |
| 26 | Check the electrical system of the drive motor | | • | | |
| Braking system | | | | | |
| 27 | Check brake performance, if necessary replace the brake disc or adjust the air gap | | • | | |
| Battery | | | | | |
| 28 | Check the battery voltage | | • | | |
| 29 | Clean and grease the terminals and check for corrosion and damage | | • | | |
| 30 | Check the battery housing for damages | | • | | |
| Charger | | | | | |
| 31 | Check the main power cable for damages | | | • | |
| 32 | Check the start-up protection during charging | | | • | |
| Function | | | | | |
| 33 | Test the audio warning signal | • | | | |
| 34 | Check the air gap of the electromagnetic brake | • | | | |
| 35 | Test the emergency braking | • | | | |
| 36 | Test the reverse and regenerative braking | • | | | |
| 37 | Test the safety (belly) button function | • | | | |
| 38 | Check the steering function | • | | | |
| 39 | Check the lifting and lowering function | • | | | |
| 40 | Check the tiller arm switch function | • | | | |
| 41 | Test the key switch of damages and function | • | | | |
| 42 | Test the speed limitation switch (lifting height >~300mm) | • | | | |
| General | | | | | |
| 43 | Check if all decals are legible and complete | • | | | |
| 44 | Check if the protective screen and or guarding is not damaged | • | | | |
| 45 | Inspect the castor, adjust the height or replace it, if worn out | | • | | |
| 46 | Carry out a test run | • | | | |

b. Lubricating points

Lubricate the marked points according to the maintenance checklist. The required grease specification is: DIN 51825, standard grease.

- 1 Bearings in wheels
- 2 Main frame post
- 3 Chain
- 4 Hydraulic system
- 5 Steering bearing
- 6 Gear box

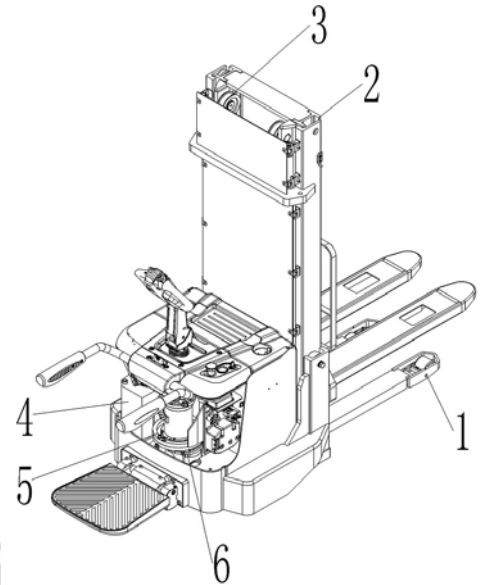


Fig. 15: Lubricating points

c. Check and refill hydraulic oil

The required hydraulic fluid- type is

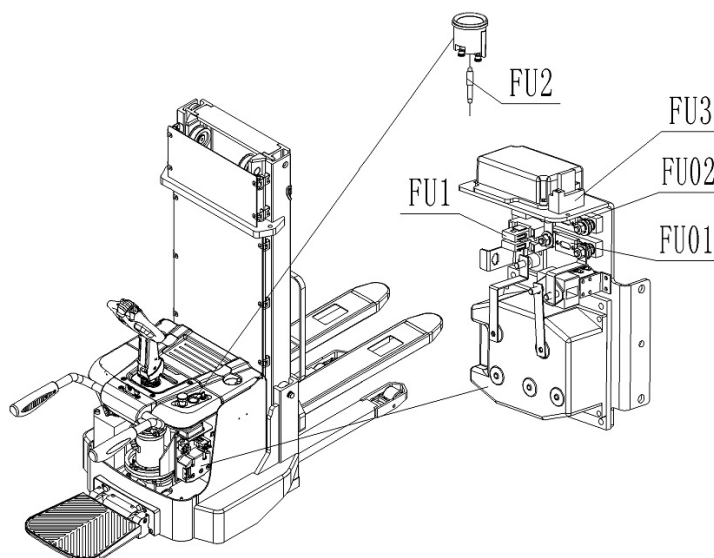
- H-LP 46, DIN 51524
- Viscosity is 41.4 - 47
- Depending on the type the amount is 8.5L

Waste material like oil, used batteries or other must be probably disposed and recycled according to the national regulations and if necessary brought to a recycling company.

The oil level height shall be in the not lifted position min.8.4L to 8.6L.

If necessary add oil at the filling point.

d. Checking electrical fuses



Remove the main cover. The fuses are located according to fig. 16; the size is according to table 4.

Table 4: Size of the fuses

| | Rate |
|------|------|
| FU1 | 10A |
| FU2 | 0.5A |
| FU3 | 15A |
| FU01 | 150A |
| FU02 | 200A |

Fig. 16: Location fuses

e. Removing, reattaching guarding



DO NOT USE THIS TRUCK, IF THE GUARDING IS DAMAGED OR NOT CORRECTLY ASSEMBLED!

If the guarding needs to be removed, unbolt the fixing screws and remove the screen carefully. The screws will remain with the screen. For reattaching place the screen to the right position and fix each screw correctly. If you need to replace parts, please call your next service partner.

Move the clips for the protective screen sideways and remove the screen. Assembling is in the opposite direction. Please make sure that the the screen is fixed correctly and that the fixing elements are not damaged.

9. TROUBLE SHOOTING



- If the truck has malfunctions follow the instructions, mentioned in chapter 6.

Table 5: Trouble shooting

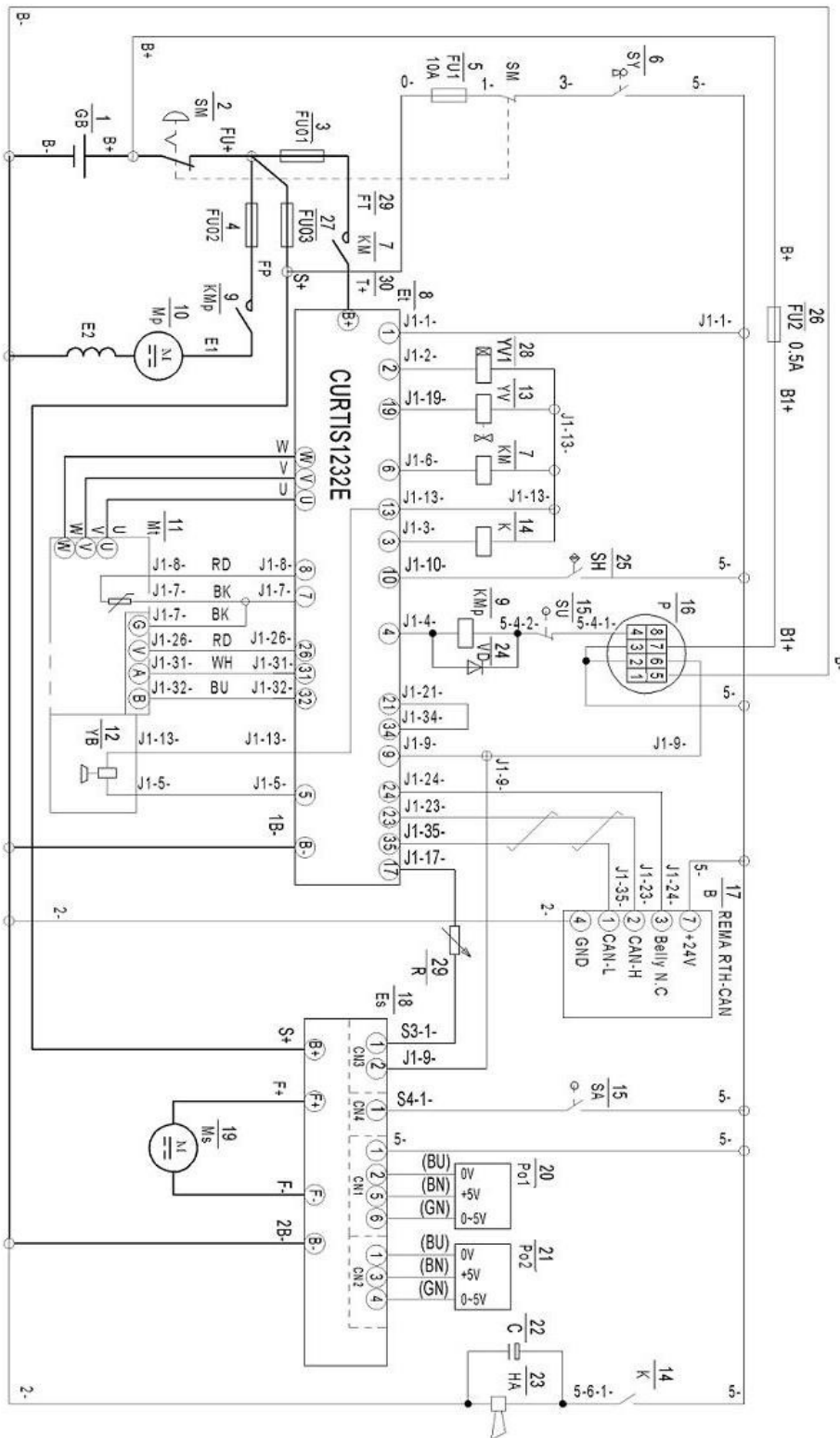
| TROUBLE | CAUSE | REPAIR |
|--------------------------------|--|---|
| Load can't be lifted | Load weight too high | Lift only the max. capacity, mentioned on the ID-plate |
| | Battery discharged | Charge the battery |
| | Lifting fuse faulty | Check and eventually replace the lifting fuse |
| | Hydraulic oil level too low | Check and eventually refill hydraulic oil |
| | Oil leakage | Repair the hoses and/or the sealing of the cylinder |
| | Lifting stops at ~1800mm | Move the protective arms into the downside position |
| | Lifting stops at ~1800mm | Check the sensor for the protective arm |
| Oil leakage from air breathing | Excessive quantity of oil. | Reduce oil quantity. |
| Stacker not starts operating | Battery is charging | Charge the battery completely and then remove the main power plug form the electrical socket. |
| | Battery not connected | Connect the battery correctly |
| | The fuse is faulty | Check and eventually replace fuses |
| | Battery discharged | Charge the battery |
| | Combined emergency switch is activated | De-activate the combined emergency switch by insert and pull the knob. |

| | | |
|--------------------------------------|--|--|
| | Tiller in the operating zone | Move the tiller firstly to the braking zone. |
| | Protective arms in the upright position, platform folded upright | Move the protective arms into the downside position |
| | Foldable platform or protective arms in one of the allowed positions | Check the proximate sensors for the arms and platform |
| | Foldable platform or protective arms not in one of the allowed positions | Check the correct function of the arms and/or platform |
| Only travelling in one direction | The accelerator and the connections are damaged. | Check the accelerator and the connections. |
| The stacker only travels very slowly | The battery is discharged. | Check the battery status at the discharge indicator |
| | The electromagnetic brake is engaged. | Check the electromagnetic brake |
| | The relating tiller cables are disconnected or damaged | Check the tiller cables and connections. |
| | Defective height sensor for reduced speed at ~300mm height | Check the sensor |
| | Electric system overheated | Stop using and cool down the truck |
| | Defective heat sensor | Check and if necessary replace the heat sensor |
| The stacker starts up suddenly | The controller is damaged. | Replace the controller. |
| | The accelerator not moves back to its neutral position. | Repair or replace the accelerator. |

If the truck has malfunctions and can't be operated out of the working zone, jack the truck up and go with a load handler under the truck and safe the truck securely. Then move the truck out of the aisle.

10. WIRING/ CIRCUIT DIAGRAM

a. Electrical circuit diagram



- Fuses CS 15
- FU1 : 10 A
- FU2 : 0,5 A
- FU3 : 15 A
- FU01 : 150 A
- FU02 : 200 A

Fig. 17: Electric diagram

b. Hydraulic circuit

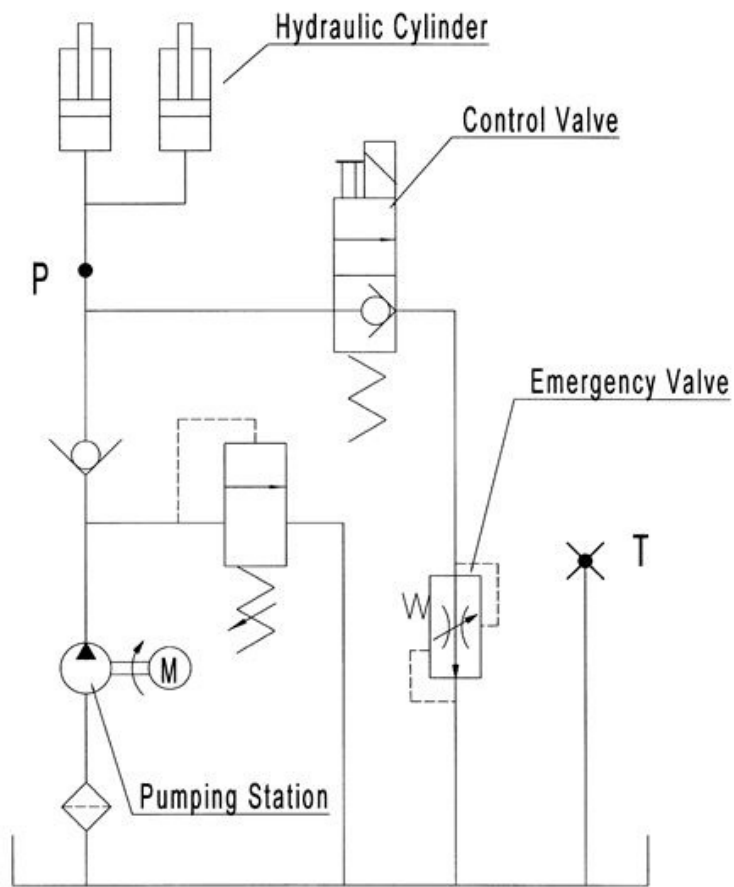


Fig. 18: Hydraulic circuit

11. SPECIALIZED STIPULATIONS FOR THE US- AMERICAN MARKET

The content in this chapter is specialized for the US-American market.

a. Foreword/ Compliance

Operating this truck requires knowledge which can be acquired from this instruction handbook. This handbook must be kept available throughout the entire period of use of the industrial truck.

**IT IS LAW; YOU MUST BE TRAINED AND CERTIFIED TO OPERATE THIS TRUCK!
READ AND OBEY ALL WARNINGS AND INSTRUCTIONS IN THIS MANUAL AND ON
THE TRUCK!**

Only properly trained operators are allowed to operate a powered industrial truck. Your employer must train you and certify, that you are qualified to operate this truck (required by OSHA § 1910.178). The training must satisfy OSHA requirements and as minimum the topics mentioned in this handbook. Depending on the context in this operating manual, the user can refer to several people, including the owner of the truck, anyone who leases or borrows this truck, and the operator as defined in ASME B56.1. Please pay attention to the section in ASME B56.1 concerning the operator. In this standard, it is defined that the safe operation is the responsibility of the operator (ASME B56.1-2003, Part II, section 5.1.1). You and others can be seriously injured or even killed if you don't use this truck correctly. Before operating your truck, inspect your truck and ensure that it is in correct working order. This truck was designed and built to current industry and government standards. For more information see following:

- ASME B56.1 (American Society of Mechanical Engineers)
- OSHA §1910.178 (Occupational Safety and Health Act)
- UL 583 (Underwriters Laboratory)
- ANSI Z535.4 (American National Standards Institute)

⚠ DANGER This sign indicates hazard situations, if not avoided, will result in serious injury or death. The instructions or precautions to this message must be observed to avoid the potential risk of injury or death.

⚠ WARNING If not followed, warning indicates hazard situations which may lead to moderate injury. The instructions or precautions to this message must be observed to avoid the potential risk of injury or death.

⚠ CAUTION If not followed, caution indicated situations which may lead to minor injury. Instructions or precautions must be observed to avoid minor injury.

b. Description warning labels (only US- market)

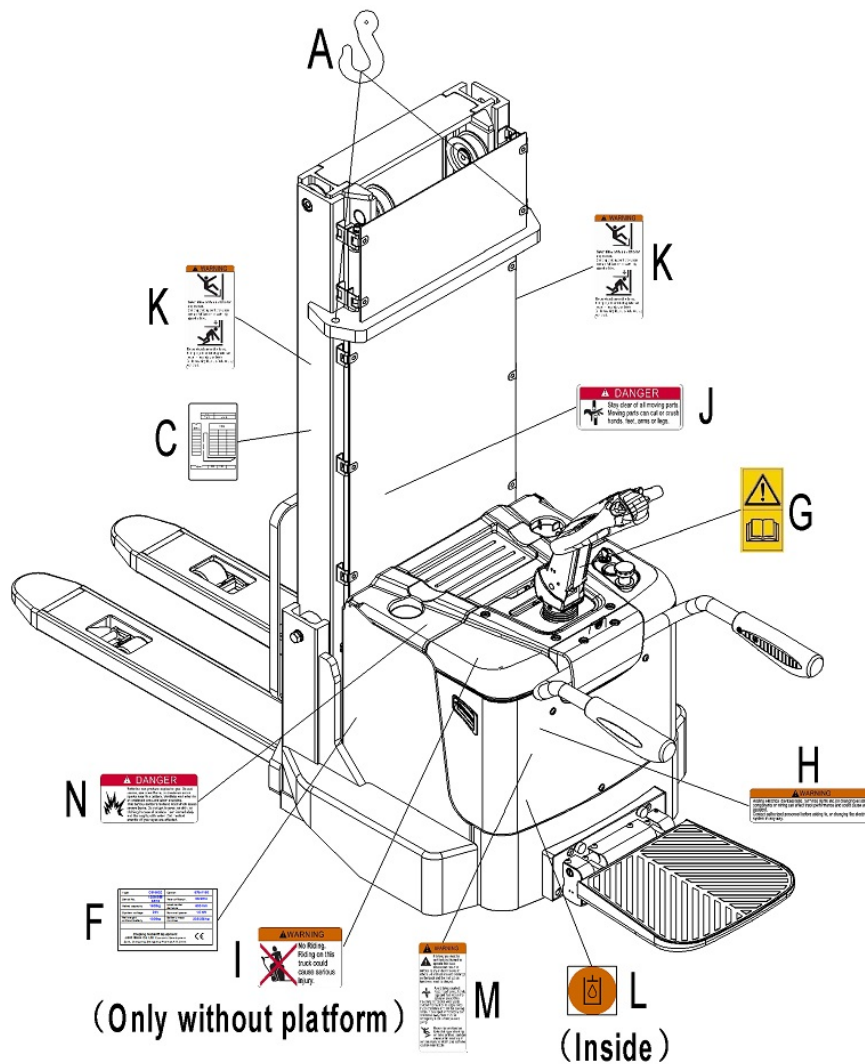


Fig. 19: Warning labels and safety devices (only USA)

- | | | | |
|---|---|---|------------------------------------|
| A | Crane hook label | J | Sign danger being crushed |
| C | Residual lift capacity sticker | K | Sign not under, on forks |
| F | Identification plate (ID-plate) | L | Sign oil filling point |
| G | Sticker to read and follow these instructions | M | Sign warning stay clear stop truck |
| H | Sign warning electrical devices | N | Sign danger battery |
| I | Sign danger not riding | | |

The truck is equipped with an emergency button (20) which stops all lifting-, lowering-, driving- functions and engages the failsafe electromagnetic brake when it is pushed. The function is described in chapter 2c. Follow the instructions given on the decals. Replace the decals if they are damaged or missing.

Sign read and follow this instruction (G)



Sign warning electrical devices (H)



**Sign danger not riding (I)
(only if not equipped with a foldable platform)**



Sign danger being crushed (J)



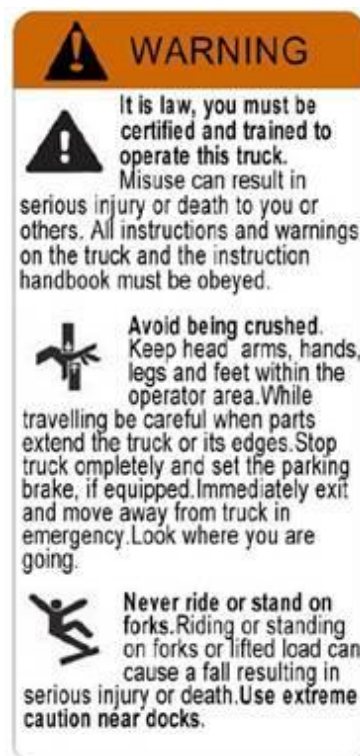
Sign not under, on forks (K)



Sign oil filling point (L)



Sign warning stay clear stop truck (M)



Sign danger battery (N)



⚠ DANGER

Batteries can produce explosive gas. Do not smoke, use open flame, or create an arc or sparks near this battery. Ventilate well when in an enclosed area and when charging.

This battery contains Sulfuric Acid which cause severe burns. Do not get in eyes, on skin, or clothing. In case of contact, flush immediately and thoroughly with water. Get medical attention if your eyes are affected.

NOBLIFT 诺力

C. Technical data for US market

Drawing see page 7

Table 6: Main technical data for standard version(USmarket)

| Type sheet for industrial truck acc. to VDI 2198 | | | | | | |
|--|------|---|----------------------|-------------------|----------|-----------|
| Distinguishing mark | 1.2 | Manufacturer's type designation | | PS 20 | | |
| | | | | 2600 | 2900 | 3600 |
| | 1.3 | Power (battery ,diesel, petrol, gas, manual) | | Battery | | |
| | 1.4 | Operator type | | Pedestrian | | |
| | 1.5 | Load Capacity / rated load | Q (lbs) | 4409.2 | | |
| | 1.6 | Load centre distance | C (in) | 23.6 | | |
| | 1.8 | Load distance ,centre of drive axle to fork | X (in) | 29.9 | | |
| | 1.9 | Wheelbase | Y(in) | 59.4 | | |
| Weight | 2.1 | Service weight | lbs | 3174.7 | 3218.7 | 3340.0 |
| | 2.2 | Axle loading, laden front/rear | lbs | 2744.8/48 | 2755.7/4 | 2799.8/49 |
| | | | | 39.1 | 872.2 | 49.4 |
| | 2.3 | Axle loading, unladen front/rear | lbs | 2248.7/92 | 2270.7/9 | 2359.0/98 |
| | | | | 6.0 | 48.0 | 1.0 |
| Tires, chassis | 3.1 | Tires | | Polyurethane (PU) | | |
| | 3.2 | Tire size, front | ∅ x w (in) | ∅9.1×3.0 | | |
| | 3.3 | Tire size, rear | ∅ x w (in) | ∅3.3×2.8 | | |
| | 3.4 | Additional wheels(dimensions) | ∅ x w (in) | ∅4.9×2.4 | | |
| | 3.5 | Wheels, number front/rear(x=driven wheels) | | 1x+2/4 | | |
| | 3.6 | Tread, front | b ₁₀ (in) | 30.2 | | |
| | 3.7 | Tread, rear | b ₁₁ (in) | 15.7/20.3 | | |
| Dimensions | 4.2 | Lowered mast height | h ₁ (in) | 76.0 | 81.9 | 95.7 |
| | 4.3 | Free lift height | h ₂ (in) | - | | |
| | 4.4 | Lift | h ₃ (in) | 101.0 | 112.8 | 140.4 |
| | 4.5 | Extended mast height | h ₄ (in) | 126.5 | 138.3 | 165.8 |
| | 4.9 | Height of tiller in drive position min./ max. | h ₁₄ (in) | 38.0/52.2 | | |
| | 4.15 | Height, lowered | h ₁₃ (in) | 3.3 | | |
| | 4.19 | Overall length | l ₁ (in) | 82.0 | | |
| | 4.20 | Length to face of forks | l ₂ (in) | 36.7 | | |
| | 4.21 | Overall width | b ₁ (in) | 39.4 | | |
| | 4.22 | Fork dimensions | s/e/l (in) | 2.4/7.3/45.3 | | |
| | 4.25 | Distance between fork- arms | b ₅ (in) | 22.4/27.0 | | |
| | 4.32 | Ground clearance, centre of wheelbase | m ₂ (in) | 0.98 | | |
| | 4.33 | Aisle width for pallets 1000X1200 lengthways | Ast (in) | 101.3 | | |
| | 4.34 | Aisle width for pallets 800X1200 lengthways | Ast (in) | 99.2 | | |
| | 4.35 | Turning radius | Wa (in) | 67.9 | | |
| Performance data | 5.1 | Travel speed, laden/unladen | mph | 3.2/3.4 | | |
| | 5.2 | Lift speed, laden/ unladen | fpm | 21.7/31.5 | | |
| | 5.3 | Lowering speed, laden/ unladen | fpm | 19.7/19.7 | | |
| | 5.8 | Max. gradeability performance, laden/ unladen | % | 6/12 | | |

| | | | | |
|-------------------------|------|---|-------|-------------------|
| | 5.10 | Service brake | | Electromagnetic |
| Electric- engine | 6.1 | Drive motor rating S2 60min | HP | 1.77 |
| | 6.2 | Lift motor rating at S3 15% | HP | 4.1 |
| | 6.3 | Battery acc. to DIN 43531/35/36 A, B, C, no | | B, 3PzS |
| | 6.4 | Battery voltage, nominal capacity K5 | V/Ah | 24/350 |
| | 6.5 | Battery weight | lbs | 478.4 |
| | 6.6 | Energy consumption acc. to VDI cycle | Kwh/h | 2.83 |
| Additional data | 8.1 | Type of drive control | | AC- speed control |
| | 8.4 | Sound level at driver's ear according to EN 12053 | dB(A) | 69 |
| | | | | |

NOBLIFT 诺力

12. DECLARATION OF CONFORMITY (valid, if sold within the EU)

[GB] CE Declaration of Conformity

The signatory hereby declares that the specified machine conforms to the EU Directive 2006/42/EC (Machine Directive) and 2004/108/EEC (Electro-Magnetic Compatibility, EMC) including their amendments as translated into national legislation of the member countries. The signatory is individually authorized to compile the technical documents.

[D] EG-KONFORMITÄTSERKLÄRUNG

Der Unterzeichner bescheinigt hiermit, dass die im Einzelnen bezeichnete Maschine den Europäischen Richtlinien 2006/42/EG (Maschinenrichtlinie) und 2004/108/EG (Elektromagnetische Verträglichkeit - EMV) einschließlich deren Änderungen sowie dem entsprechenden Rechtserlaß zur Umsetzung der Richtlinien in nationales Recht entspricht. Der Unterzeichner ist bevollmächtigt, die technischen Unterlagen zusammenzustellen.

[E] DECLARACIÓN DE CONFORMIDAD CE

El signatario certifica por medio de la presente que la máquina especificada cumple con las Normas Europeas 2006/42/CE (Normativa para maquinarias) y 2004/108/CE (Compatibilidad electromagnética), incluyendo sus respectivas modificaciones, así como con el decreto-ley para la adaptación de las normas al derecho nacional. El signatario dispone de una autorización individual que le permite compilar la documentación técnica.

[F] DECLARATION DE CONFORMITE CE

Par la présente déclaration, les soussignés certifient que le machines spécifié ci-dessus est conforme à la loi et aux directives européennes 2006/42/CE (directive sur les machines) et 2004/108/CEE (compatibilité électromagnétique - CEM), y compris aux modifications qui y sont apportées et à l'arrêté autorisant sa transposition en droit national. Chaque signataire est habilité à établir individuellement la documentation technique.

[NL] EG-KONFORMITEITSVERKLARING

Ondergetekenden verklaren hierbij dat - volgens de nationale wetgeving van de Lidstaten - de hierboven vermelde opgegeven machina beantwoordt aan de bepalingen qua veiligheid bij machines (EG richtlijn 2006/42/EC) en electro-magnetische compatibiliteit (EG richtlijn 2004/108/EEC). Ondergetekenden zijn ieder individueel gemachtigd het technisch dossier samen te stellen.

[P] DECLARAÇÃO DE CONFORMIDADE CE

Pela presente, os signatários certificam que o máquina especificado está conforme às Directivas Europeias 2006/42/CE („Máquinas“) e 2004/108/CEE („Inocuidade Electromagnética - IEM“), incluindo as alterações das mesmas e o respectivo decreto-lei para a transposição em lei nacional. Cada um dos signatários está autorizado a proceder à elaboração da documentação técnica.

[I] DICHIARAZIONE DI CONFORMITÀ CE

I sottoscritti dichiarano che il veicolo per trasporti interni a macchina specificato soddisfa le Direttive Europee 2006/42/EC (Direttiva Macchine) e 2004/108/EEC (Compatibilità elettromagnetica - EMV) comprese le relative modifiche, come pure il rispettivo decreto legislativo per la conversione delle direttive in diritto nazionale. I sottoscritti sono singolarmente autorizzati alla creazione della documentazione tecnica.

[BG] ЕВРОПЕЙСКА ОБЩНОСТ - ДЕКЛАРАЦИЯ ЗА СЪОТВЕТСТВИЕ

Подписаните удостоверяват с настоящето, че подробно описаното машина средство отговаря на европейския норматив 2006/42/EG (норматив за машини) и на 2004/108/EG (електро-магнетична съвместимост), включително с техните промени, както и на съответния указ за прилагане на нормативите в националното право. Подписаните при това са упълномощени поотделно да съставят техническата документация.

[CZ] EG - PROHLÁŠENÍ O SHODĚ

Níže podepsaný tímto potvrzuje, že podrobný popis uvedené stroje odpovídá Evropským směrnicím 2006/42/EC (směrnice pro stroje) a 2004/108/EEC (elektromagnetická interference - EMV) včetně jejich pozdějších úprav, jakož i příslušným právním výnosům pro uplatnění příslušné směrnice v rámci národního práva. Každý z podepsaných jsou jednotlivě zplnomocněni k vytvoření technických podkladů.

[DK] EF-OVERENSSTEMMELSE SERKLÆRING

Undertegnede attesterer hermed, at det specificerede maskine stemmer overens med de Europæiske Direktiver 2006/42/EU (maskindirektiv) og 2004/108/EØF (elektromagnetisk kompatibilitet - EMC) samt med den modsvarende lovgivning til implementering af direktiver i den nationale lovgivning. De undertegnede er hver for sig beføjede til at sammenstille de tekniske dokumenter.

[EST] EL vastavusavaldus

Allakirjutanud tõendavad käesolevaga, et üksikasjaliselt kirjeldatud täpsustatud masin vastab Euroopa direktiividele 2006/42/EÜ (Direktiiv masinate kohta) ja 2004/108/EMÜ (Elektromagnetiline sobivus - EMS) kaasa arvatud nende muudatused ja nende vastavatele õiguspärasele direktiivide muutmiseks siseriiklikuks õiguseks. Iga allakirjutanu üksikult on volitatud koostama tehnilist dokumentatsiooni.

[FIN] EU-YHDENMUKAISUUSLOSTUS

Allekirjoittaneet todistavat täten, että kukin erikseen mainittu omalla voimalla tehdyillä varustetu tehdeskone vastaa EU-direktiivien 2006/42/EC (koneenrakennusdirektiivi) ja 2004/108/EEC (sähkömagneettinen yhteensopivuus – EMC) määräyksiä sekä niiden muutoksia ja niiden kansalliseen lainsäädäntöön soveltamista koskevaa oikeussäätöä. Jokaisella allekirjoittaneista on oikeus itsenäisesti laatia asiaankuuluvia teknisiä asiakirjoja.

[GR] ΔΗΛΩΣΗ ΣΥΜΜΟΡΦΩΣΗΣ ΕΟΚ

Οι υπογράφωντες βεβαιώνουν διά της παρούσης ότι το συγκεκριμένο μηχάνημα συμμορφώνεται προς την Κοινοτική Οδηγία 2006/42/ΕΚ («Μηχανήματα») και 2004/108/ΕΟΚ (Ηλεκτρομαγνητικής Συμβατότητας, ΗΜΣ), καθώς και οι τροποποιήσεις τους, όπως μεταφράστηκε στην εθνική νομοθεσία των χωρών μελών. Οι υπογράφωντες είναι σε κάθε περίπτωση εξουσιοδοτημένοι ατομικά να καταρτίσουν τα τεχνικά έγγραφα.

[H] EU KONFORMITÁSI NYILATKOZAT

Alulírottak ezennel igazolják, hogy a részletesen leírt a megadott gép megfelel a 2006/42/EC (Gép-Irányelv) és a 2004/108/EEC (Elektromágneses összeférhetőség - EMV) Európai Irányelveknek, beleértve azok módosításait, valamint az irányelvek nemzeti jogba történő átültetésére irányuló megfelelő jogi rendelkezést. Továbbá az alulírottak mindegyike rendelkezik meghatalmazással arra nézve, hogy összeállíthatja a műszaki dokumentációt.

[LT] ES atitikimo deklaracija

Žemiau pasirašę asmenys patvirtina, kad atskirai aprašytas nurodyta mašina atitinka Europos Sąjungos direktyvas 2006/42/EB (Mašinų direktyva) ir 2004/108/EEB (Elektromagnetinis suderinamumas – EMS) įskaitant jų pakeitimus, o taip pat ir atitinkamą teisės aktą dėl direktyvų įgyvendinimo nacionalinėje teisėje. Kiekvienas iš pasirašusių asmenų turi teisę ruošti techninę dokumentaciją.

[LV] ES atbilstības deklarācija

Ar zemāk redzamajiem parakstiem tiek apliecināts, ka norādīts mašina atbilst Eiropas Savienības normatīvam 2006/42/EG (Mašīnu normatīvas) un 2004/108/EEG (Elektromagnētiskā atbilstība – EMV), ieskaitot to izmaiņas, kā arī atbilstošos tiesiskos rīkojumus normatīvu pielāgošanai nacionālajai likumdošanai. Parakstu īpašnieki ir atsevišķi pilnvaroti sastādīt tehniskās dokumentācijas.

[N] EU-KONFORMITETSERKLÆRING

Undertegnede bekrefter hermed at de enkelte betegnede maskin med kraftdrift tilsvarer de europeiske retningslinjene 2006/42/EC (maskinretningslinje)

og 2004/108/EEC (elektromagnetisk fordraglighed - EMV) inklusiv disses endringer og den tilsvarende rettsforordning til omsetning av nasjonal rett. Hver undertegnede er fullmektig til å sette sammen de tekniske dokumentene.

[PL] DEKLARACJA ZGODNOŚCI WE

Niżej podpisani deklarują, że poniżej opisana maszyna spełnia wymagania określone w dyrektywach Europejskich 2006/42/EC (Dyrektywa Maszynowa) i 2004/108/EEC (Kompatybilności elektromagnetycznej - EMC) wraz z ich późniejszymi zmianami oraz odpowiednimi rozporządzeniami mającymi na celu przeniesienie tych dyrektyw do prawa krajów członkowskich. Sygnatariusz jest indywidualnie upoważniony do zestawiania dokumentacji technicznej.

[RO] DECLARAȚIE DE CONFORMITATE CE

Subsemnatii adevăresc prin prezenta că vehiculul de specificat mașină descris individual corespunde directivelor europene 2006/42/CE (Directiva privind mașinile) și 2004/108/CEE (Compatibilitatea electromagnetică - CEM) inclusiv modificărilor lor precum și actului legislativ corespunzător pentru transpunerea directivelor în drept național. Subsemnatii sunt fiecare în parte împuterniciți să întocmească documentația tehnică.

[RUS] Декларация соответствия стандартам ЕС

Настоящим лица, подписавшие документ, удостоверяют, что машина с указанной спецификацией соответствует европейским стандартам 2006/42/EG (Транспортная директива) и 2004/108/EWG (Электромагнитная совместимость - EMC), включая изменения в них, а также соответствующим национальным стандартам и нормам. Каждое по отдельности лицо, подписавшее документ, имеет полномочия для составления технической документации.

[S] EG-KONFORMITETS FÖRKLARING

Undertecknarna intygar härmed att det i detalj betecknade maskin uppfyller de Europeiska direktiven 2006/42/EG (Maskindirektiv) och 2004/108/EEG (Elektromagnetisk tålighet - EMV), inklusive ändringarna i detta och den motsvarande rättsförordningen för att omsätta direktiven i nationell rätt. Undertecknarna har var för sig fullmakt att sammanställa den tekniska dokumentationen.

[SK] vyhlásenie o zhode

Dolu podpísaní týmto potvrdzujeme, že podrobný popis uvedené stroje zodpovedá Európskym smerniciam 2006/42/EC (ernica pre stroje) a 2004/108/EWG (elektromagnetická tolerancia – EMV) vrátane jeho neskorších úprav, rovnako zodpovedá aj príslušným právnym nariadeniam na uplatnenie smerníc v rámci národného práva. Každý z podpísaných je jednotlivo splnomocnený na vytvorenie technických podkladov.

[SLO] EU IZJAVA O SKLADNOSTI

Podpisani s tem potrjujemo, da posamično označeno določeno stroj vozilo odgovarja Evropski direktivi 2006/42/EC (Direktiva o strojih) in 2004/108/EEC (Elektromagnetna skladnost - EMV) vključno z njihovimi spremembami ter ustrezno pravno uredbo o prevzemu smernic v nacionalno pravo. Podpisniki so vsakokrat posamezno pooblaščenji za izdajanje tehnične dokumentacije.

[TR] AB Uygunluk Açıklaması

İmza sahibi şahıslar, ayrıntıları belirtilen makine aracının, 2006/42/EC (Makine Yönergesi) ve 2004/108/EEC (Elektromanyetik Uyumluluk – EMC) no'lu Avrupa Yönergelerine ve bunların değişiklik sonucu oluşan metinlerine ve yönergelerin milli hukuk hükümlerine dönüştürülmesine dair ilgili hukuk karamamesine uygun olduğunu tasdik ederler. İmza sahibi şahıslar teknik dosyaları bir araya getirmek için münferiden vekil tayin edildi.

- (1) Type/ Typ/ Tipo/ Modello/ Түппи/ Tipo / ΤΥΠΟΣ/ Τίπος/ Τίπ/ Тип/ Tips/ Tipas/ Tüüp:
- (2) Serial No./ Serien-Nr./ N°. de série/ Seriennummer/ N° de serie/ Numero di serie/ Serienr./ Sarjanro/ αυξάνων αριθμός/ Serionév číslo/ Szériaszám/ Nr. Seryjny/ Serijska številka/ Výrobné číslo/ Серийный номер/ Seri No./ Seerianr./ Sērijas Nr./ Serijos numeris:
- (3) Year of constr./ Baujahr/ Année de constr./ Bouwjaar/ Año de constr./ Anno di costruzione/ Produktionsår/ Byggeår/ Tillverkningsår/ Valmistusvuosi / Ano de fabrico / έτος κατασκευής/ Rok výroby/ Gyártási év/ Rokprodukcji / Letnik / Год изготовления / Üretim yılı / Väljallaskeasta / Izgatavošanas gads / Gamybosmetai
- (4) Manufacturer or his authorized representative in Community/ Hersteller oder in der Gemeinschaft ansässiger Vertreter/ Fabricant ou son mandataire établi dans la Communauté/ Fabrikant of zijn in de Gemeenschap gevestigde gemachtigde/ Fabricante o representante establecido en la Comunidad/ Construtor ou Representante estabelecido na Comunidade/ Costruttore oppure il suo rappresentante nella Comunità/ Fabrikant eller dennesi Fællesskabet etablerede befuldmægtigede/ Produsent eller agent innen felleskapet/ Tillverkare eller representant inom EU/ Valmistaja tai yhteisömaassa oleva edustaja / V`robce nebo jeho zastoupení/ Gyártó / producent albo jego przedstawiciel w EG (Wspólnota Europejska)/ Κατασκευαστής ή όκνηνο ηνπηθώλ αληηπξνζώπσλ/ Üretici ya da Bölgedeki Yetkili Temsilci/ Proizvajalec ali pooblaščenji zastopnik s sedežem v EU/ Výrobca alebo zástupca so stálym bydliskom v EÚ / Изготовитель или его представитель, зарегистрированный в стране Содружества/ Tootja või organisatsiooni paiknev esindaja/ Ražotājs vai vietējais uzņēmuma pārstāvis / Gamintojas arba šalyje reziduojantis atstovas:
- (5) Date/ Datum/ Data/ Fecha/ datum/ Dato/ päiväys/ Kuupäev/ Datums/дата / Dátum/ dátum/ tarih/ ημερομηνία
- (6) Authorised signatory/ Im Auftrag/ pour ordre/ Incaricato/ Por orden de/ por procuração/ op last van/ på vegne af/ på uppdrag/ Etter oppdrag/ psta./ Ülesandel / pavedus / v. i. / По поручению / megbízásából / длъжностно лице / z pověření / z poverenia / po nalogu / na polecenie / din sarcina / adina / θαη' εληνηή

- XX XX – Self-propelled industrial truck**
- (1) Type:
- (2) Serial No: **XXXXXXXX**
- (3) Year of constr.: **YYYY**
- (4) Manufacturer or his authorized representative in Community:
Company name/ Street / Postal code Town/ Country
- (5) Date: **YYYY-MM-DD**
- (6) Authorized signatory: **Mr. Sample**