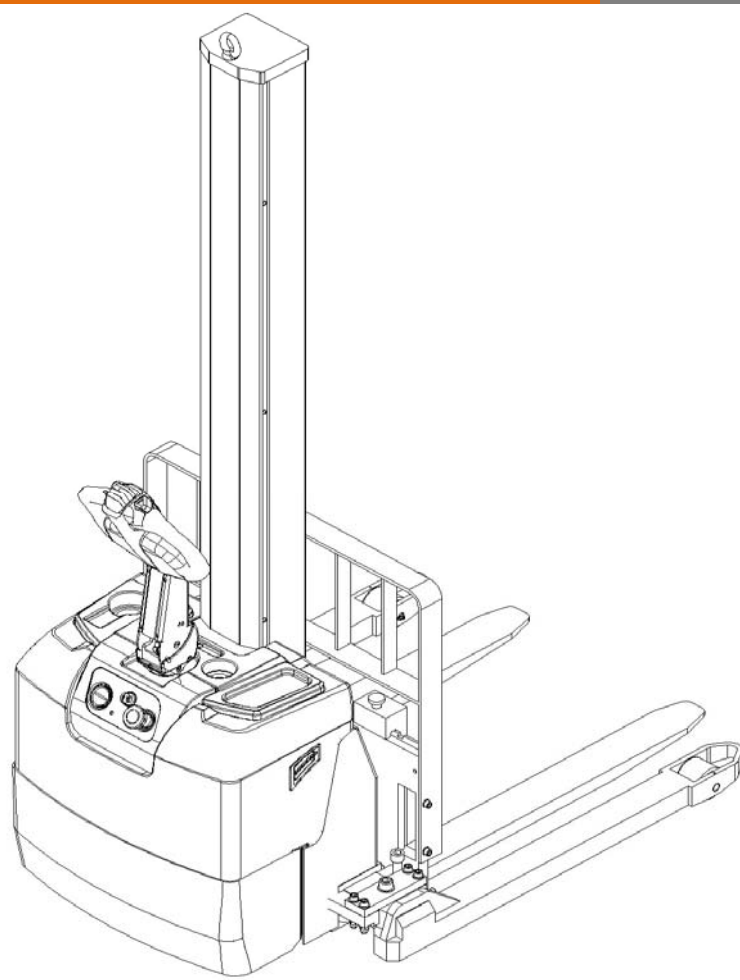
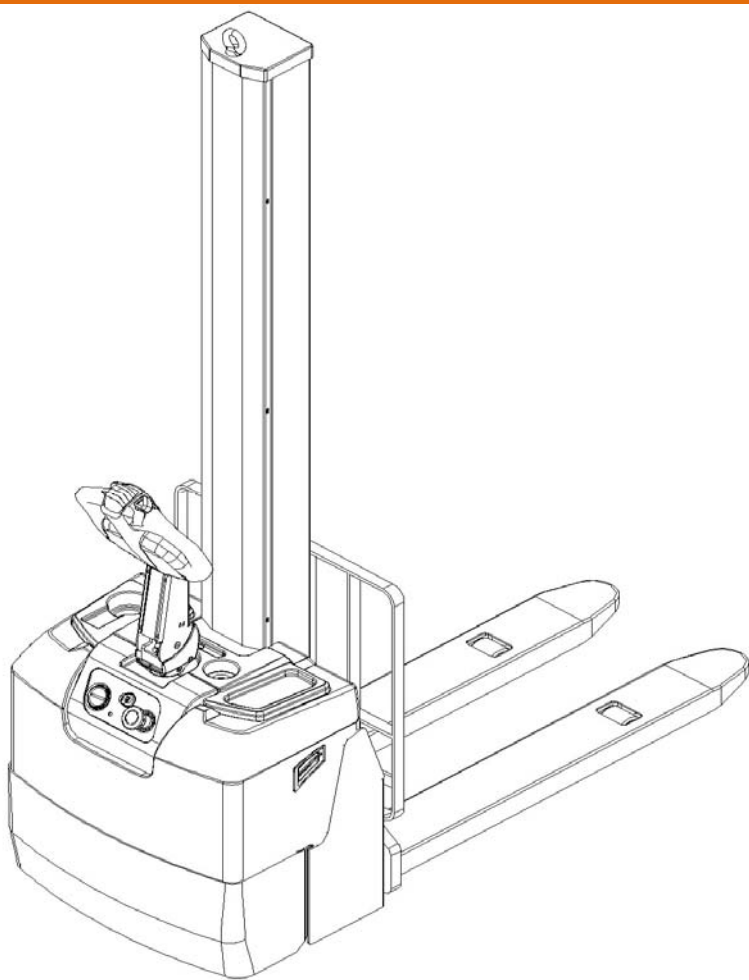


SPAREPARTS LIST

Electric Stacker PS 10M/PS 10MSL



Version 01/2015

From truck identification number:

30130700011

PS 10M-BPT-006-EN

Catalogue

Fig.1 Label (for EU)	1
Fig.2 Label (for US)	2
Fig.3 Outline	4
Fig.4 Chassis.....	6
Fig.5 Chassis (straddle fork).....	7
Fig.6 Spare parts for distribution box	9
Fig.7 Electrical components.....	11
Fig.8 Driving system	13
Fig.9 Drive wheel	15
Fig.10 Spare parts for steering wheel	17
Fig.11 Load roller	19
Fig.12 Tiller arm.....	20
Fig.13 Tiller	22
Fig.14 Pipeline system.....	24
Fig.15 Cylinder	25
Fig.16 Pump station system	27
Fig.17 Chain assembly	28
Fig.18 Controller parts	30
Fig.19 Main cable	32
Fig.20 Pallet frame.....	33
Fig.21 Pallet frame (straddle fork).....	34
Fig.22 Backrest (option).....	35
Fig.23 Pallet frame (straddle fork option).....	36
Easy worn parts list.....	37

Fig.1 Label (for EU)

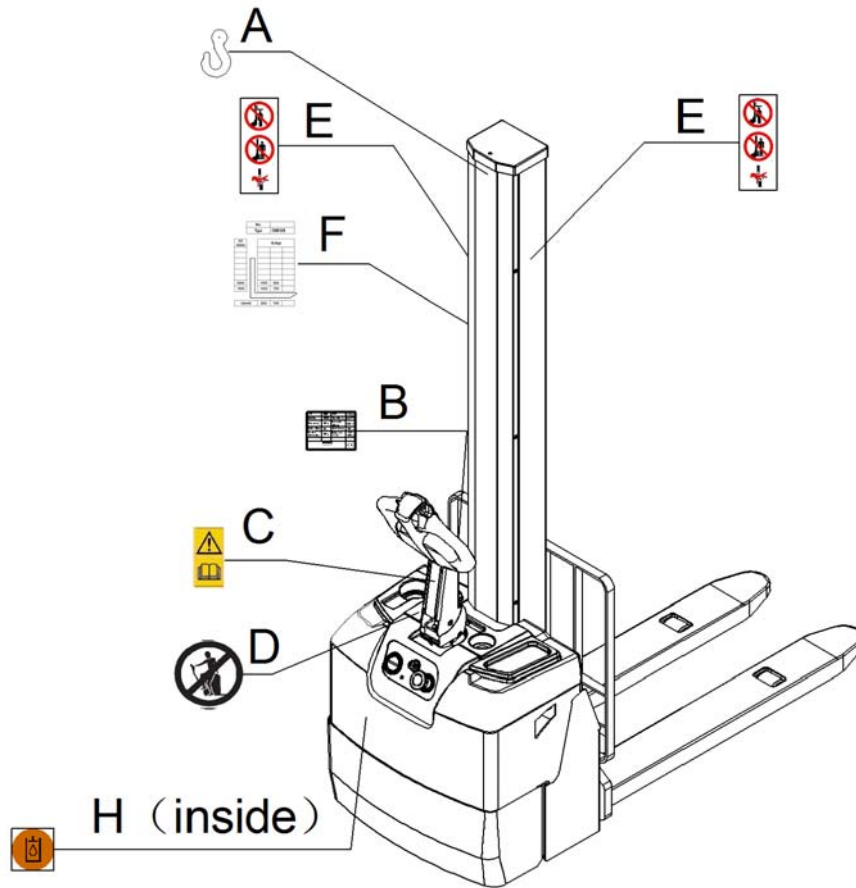


Fig.1 Label (for EU)

No.	Art No.	Description	Qty.	Note
A	9000005967	Lifting sticker	1	
B	9000008652	CE sticker	1	
C	9000003570	Sign read and follow this instruction	1	
D	9000003573	'No passengers' decal	1	
E	9000003923	Warning label	1	
F	9000008654	Residual lift capacity sticker	1	
	9000008653	Residual lift capacity sticker	1	
	9000010301	Residual lift capacity sticker	1	
H	9000008555	Filling sticker	1	

Fig.2 Label (for US)

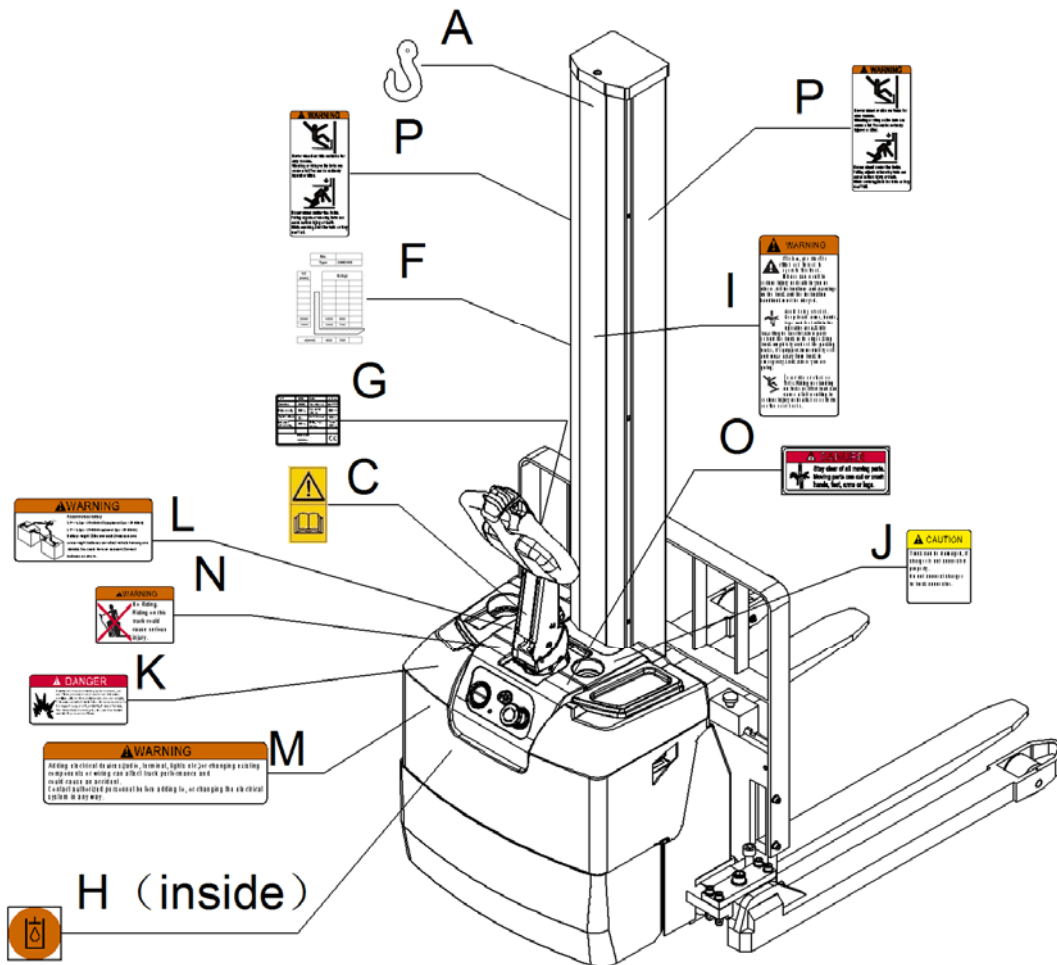


Fig.2 Label (for US)

No.	Art No.	Description	Qty.	Note
A	9000005967	Crane hook label	1	
C	9000003570	Sticker to read and follow these instructions	1	
F	9000010303	Residual lift capacity sticker	1	
	9000010302	Residual lift capacity sticker	1	
G	9000008942	Identification plate (ID-plate)	1	
H	9000008555	Filling sticker	1	
I	9000003575	Warning label	1	
J	9000003579	Warning label	1	
K	9000003577	Warning label	1	
L	9000008582	Warning label	1	
M	9000003579	Warning label	1	
N	9000003573	'No passengers' decal	1	
O	9000005970	Warning label	1	
P	9000005971	Warning label	1	

Fig.3 Outline

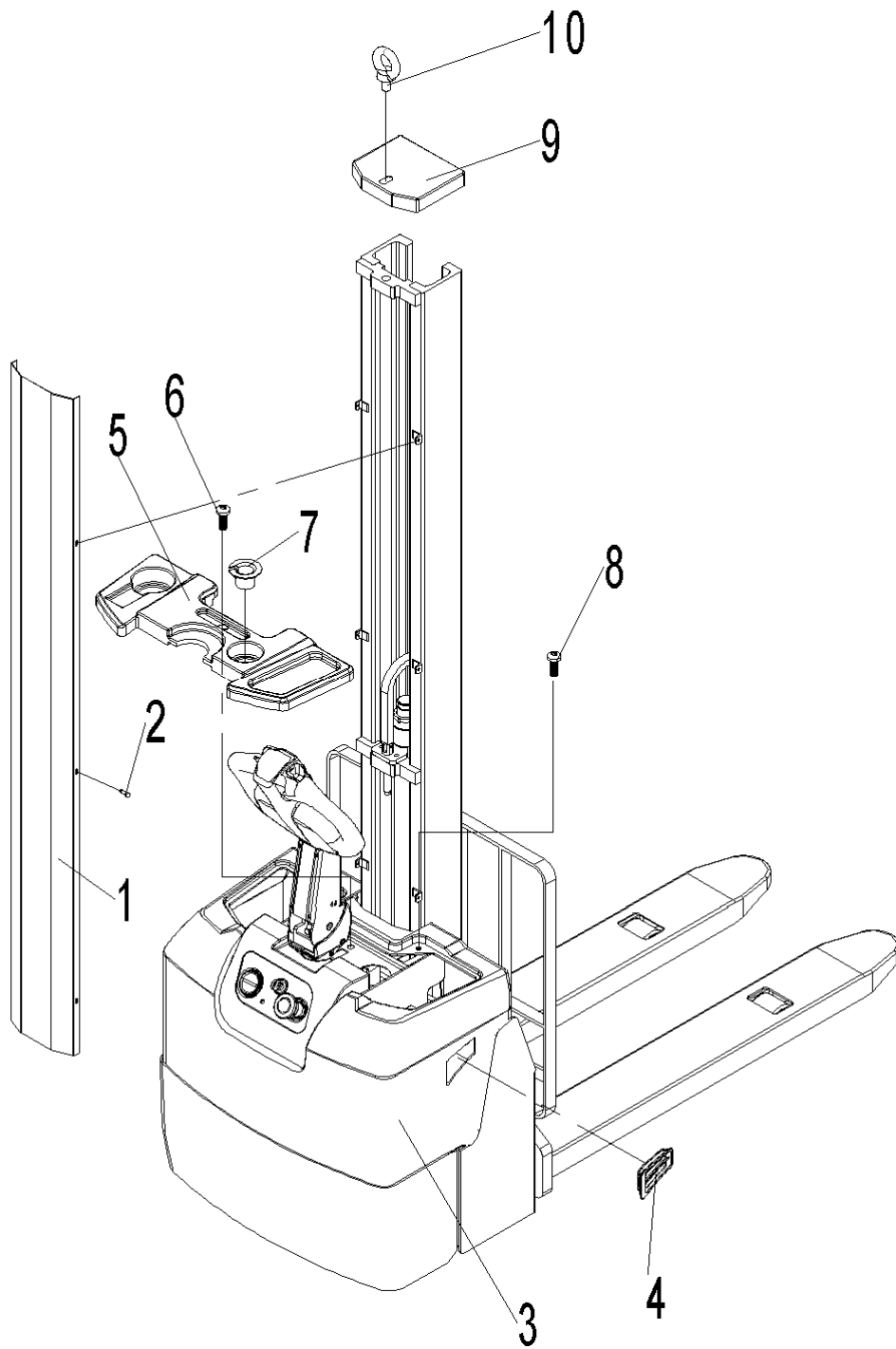


Fig.3 Outline

No.	Art No.	Description	Qty.	Note	Standard
1	9000010024	Mast cover	1	2000	
	9000010025	Mast cover	1	1600	
	9000010026	Mast cover	1	800	
2	0000023024	Screw	6	M6x10	GB/T70.1=ISO4762
3	9000008172	Electrical box main cover	1		
4	9000007923	Right vents components	1		
5	9000008168	Electrical box upper cover	1		
6	9000007792	Screw	1	M10x45	
7	9000008169	Spring wire fixing frame	1		
8	1000423001	Screw	2	M10X20	
9	9000010304	Cover plate	1		
10	0000023439	Screw	1	M16	GB/T825= ISO3266

Fig.4 Chassis

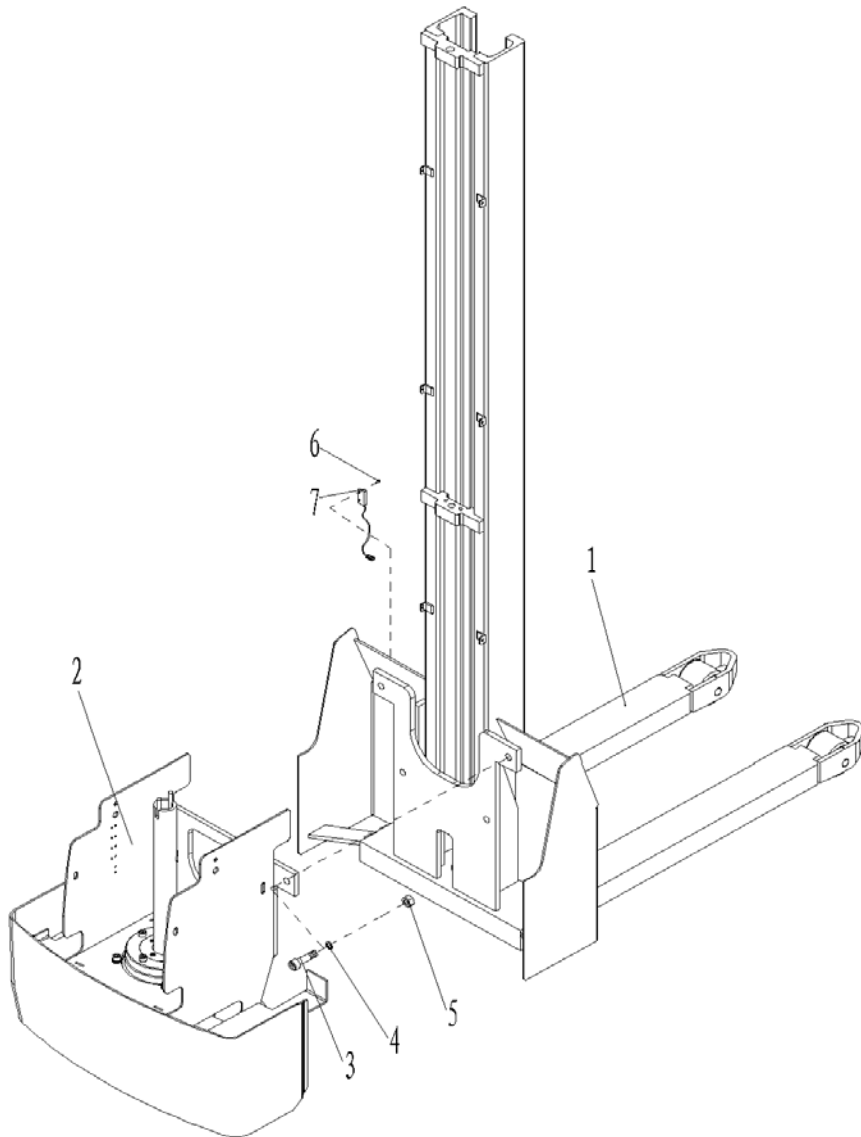


Fig.4 Chassis

No.	Art No.	Description	Qty.	Note	Standard
1	9000008173	Frame assembly	1	2000; 540x1150	
	9000008943	Frame assembly	1	1600; 540x1150	
	9000008944	Frame assembly	1	800; 540x1150	
2	9000008174	Electric box assembly	1		
3	0000023102	Screw	4	M16x50	GB/T70.1=ISO4762
4	0000023029	Washer	8	16	GB/T97.1= ISO7089
5	0000024096	Lock nut	4	M16	GB/T889.1=ISO7040
6	0000023083	Screw	2	M3x8	GB/T70.2=ISO7380
7	2000435003	Magnetic switch	1		

Fig.5 Chassis (straddle fork)

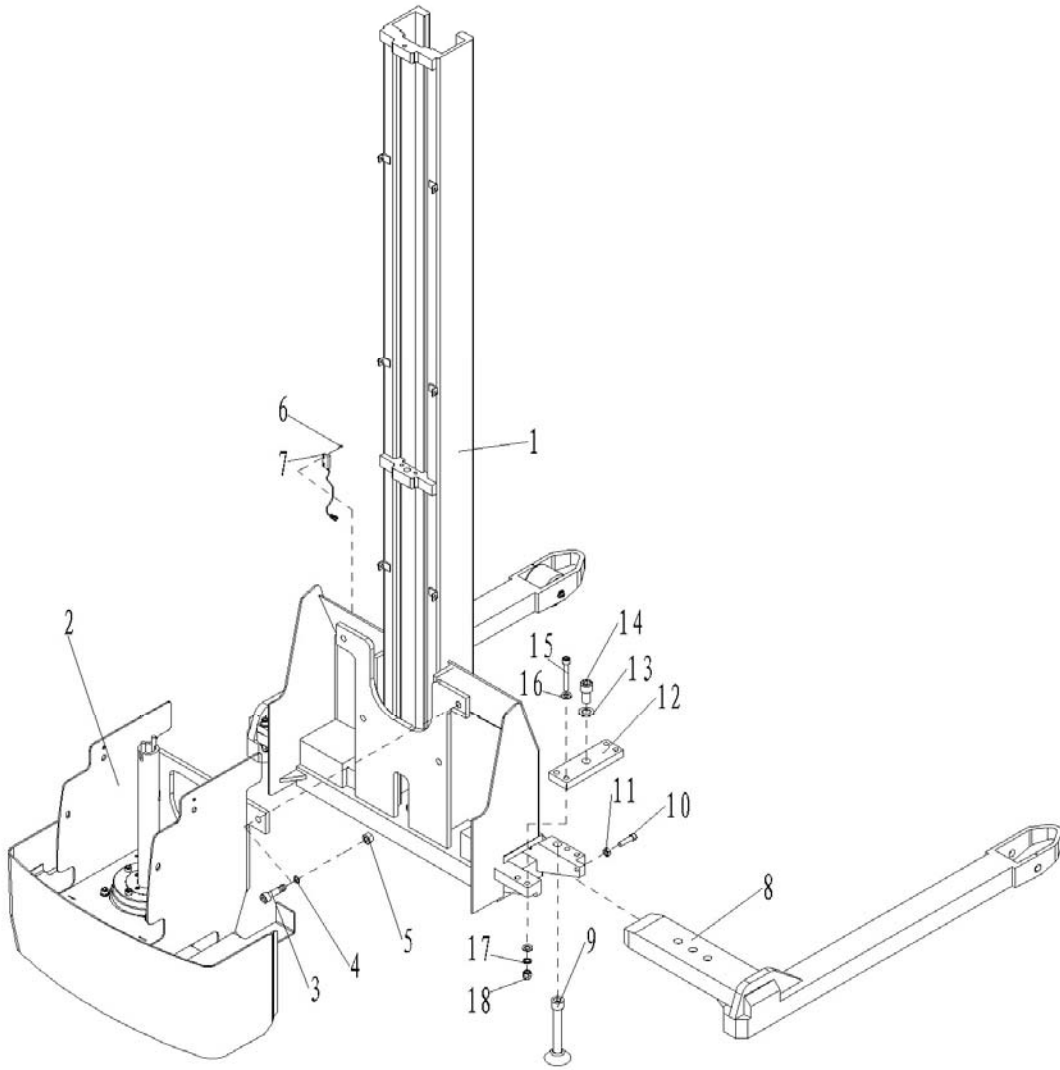


Fig.5 Chassis (straddle fork)

No.	Art No.	Description	Qty.	Note	Standard
1	9000008945	Frame assembly	1	2000	
	9000008946	Frame assembly	1	1600	
2	9000008174	Electric box assembly	1		
3	0000023102	Screw	4	M16x50	GB/T70.1=ISO4762
4	0000023029	Washer	8	16	GB/T97.1= ISO7089
5	0000024096	Nut	4	M16	GB/T889.1=ISO7040
6	0000023083	Screw	2	M3x8	GB/T70.2=ISO7380
7	2000435003	Magnetic switch	1		
8	9000008947	Welded left front leg	1		
	9000008948	Welded right front leg	1		
9	2050402002	Bearing components	2		
10	0000023025	Screw	4	M10x40	GB/T70.1=ISO4762
11	0000024013	Nut	4	M10	GB/T6170= ISO4032
12	9000008949	Pressing plate	2		
13	2050402003	Pin	2		
14	0000025031	Washer	2	20	GB/T95
15	0000023518	Screw	8	M12x80	GB/T70.1=ISO4762
16	0000025032	Washer	16	12	GB/T95
17	0000025024	Washer	16	12	GB/T93
18	0000024006	Lock nut	8	M12	GB/T889.1=ISO7040

Fig.6 Spare parts for distribution box

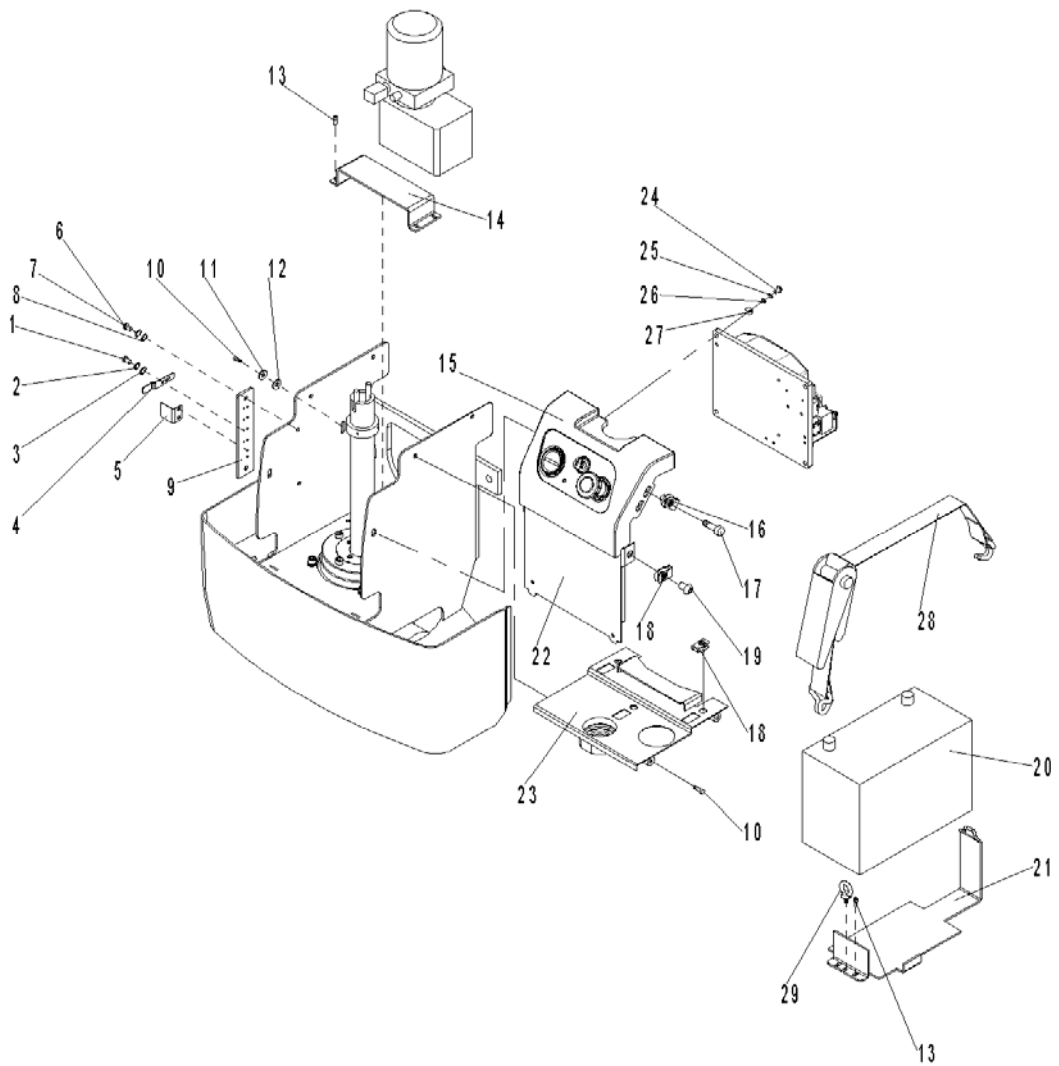


Fig. 6 Spare parts for distribution box

No.	Art No.	Description	Qty.	Note	Standard
1	0000023611	Screw	10	M4x10	GB/T70.1=ISO4762
2	0000025009	Washer	10	4	GB/T93
3	0000025008	Washer	10	4	GB/T95
4	1000204002	Connector seat	4		
5	1010404006	Fixing frame	1		
6	0000023311	Screw	2	M5x12	GB/T70.1=ISO4762
7	0000025015	Washer	2	5	GB/T93
8	0000025014	Washer	2	5	GB/T95
9	9000008885	Plug assembly plate	1		
10	0000023067	Screw	6	M8x16	GB/T70.1=ISO4762
11	0000025001	Washer	2	8	GB/T93
12	0090000046	Washer	2	8	GB/T97.1= ISO7089
13	0000023042	Screw	8	M6x10	GB/T70.1=ISO4762
14	9000008175	Cylinder subplate	1		
15	9000008166	Instrument panel cover	1		
16	9000007784	Nut	4	M8	
17	0000023078	Screw	4	M8x16	GB/T70.2=ISO7380
18	9000007783	Nut	5	M10	
19	1000423001	Screw	2	M10X20	
20	2100432001	Power supply assembly	2		
21	9000008950	Base plate for battery (left)	1		
	9000008951	Base plate for battery (right)	1		
22	9000008171	Electronic control fixing plate	1		
23	9000008884	Welded board(internal)	1		
24	0000023044	Screw	4	M8x20	GB/T70.1=ISO4762
25	0000025004	Washer	4	8	GB/T93
26	0000025005	Washer	4	8	GB/T95
27	1000403010	Clip	3		
28	1010400004	Battery strip	2		
29	0000023068	Screw	2	M8	GB/T825= ISO3266

Fig.7 Electrical components

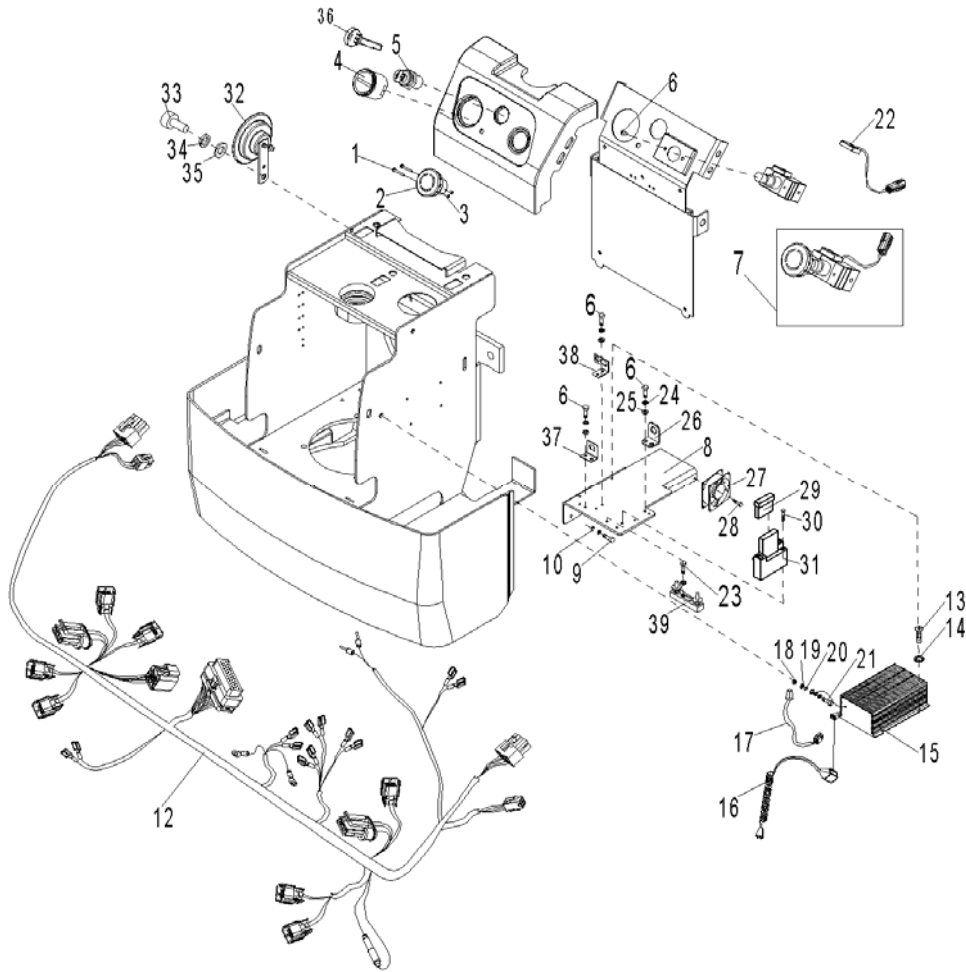


Fig.7 Electrical components

No	Art No.	Description	Qty.	Note	Standard
1	0000023685	Screw	2	M3x25	GB/T818=ISO7045
2	9000008516	Emergency button head	1	ZDK32-350	
3	0000024002	Nut	2	M3	GB/T6170= ISO4032
4	1000434025	Indicator	1	CURTIS 803	
5	9000008326	Key switch	1	LKS-101A	
6	0000023215	Screw	8	M5x10	GB/T70.3= ISO10642
7	9000008515	DC power switch	1	ZDK32-350	
8	9000008678	Charger fixing frame	1		
9	0000025010	Washer	9	6	GB/T93
10	0000023055	Washer	9	6	GB/T95
11	0000025014	Washer	4	5	GB/T95
12	9000008379	Main control wiring harness	1		

13	0000023307	Screw	4	M4x10	GB/T818=ISO7045
14	0000025019	Washer	4	4	GB/T95
15	9000008638	Charger	1	24V/10A QQE240-11 CH59	
16	1010434009	Power cort plug 3X0.75	1	For AUS	
16	1010434011	Power cort plug 3X0.75	1	For UK	
16	1010434012	Power cort plug 3X0.75	1	For EU	
16	2530334005	Power cort plug 3X0.75	1	For US	
16	1010434023	Power cort plug 3X0.75	1	For Asia	
17	1010434016	Charger indicator	1		
18	0000024099	Nut	1	M6	GB/T6170= ISO4032
19	0000025045	Washer	2	6	GB/T93
20	0000025007	Washer	2	6	GB/T95
21	0000023063	Screw	1	M6x16	GB/T70.1=ISO4762
22	9000008517	Proximity switch	1		
23	0000023853	Screw	2	M4x16	GB/T70.1=ISO4762
24	0000025012	Washer	8	5	GB/T93
25	0000023032	Washer	8	5	GB/T95
26	1010404005	Plug fixing plate	1		
27	1010434007	Fan	1	ADDA DC12V	
28	0000025012	Screw	2	M4×30	GB/T818=ISO7045
29	1010434008	Fuse	1	1A	
30	0000023070	Screw	2	M3x25	GB/T70.1=ISO4762
31	1000434021	Fuse seat	1	BD-1X10A	
32	1000434015	Horn	1	DC24V	
33	1010434008	Screw	1	M8x12	GB/T70.1=ISO4762
34	0000025001	Washer	1	8	GB/T93
35	0000025011	Washer	1	8	GB/T95
36	9000008519	Key	1	LKS-101A	
37	9000008882	Connector fixing plate	1		
38	1000404005	Connector fixing plate	1		
39	1000434007	Fuse seat	1	SYT	

Fig.8 Driving system

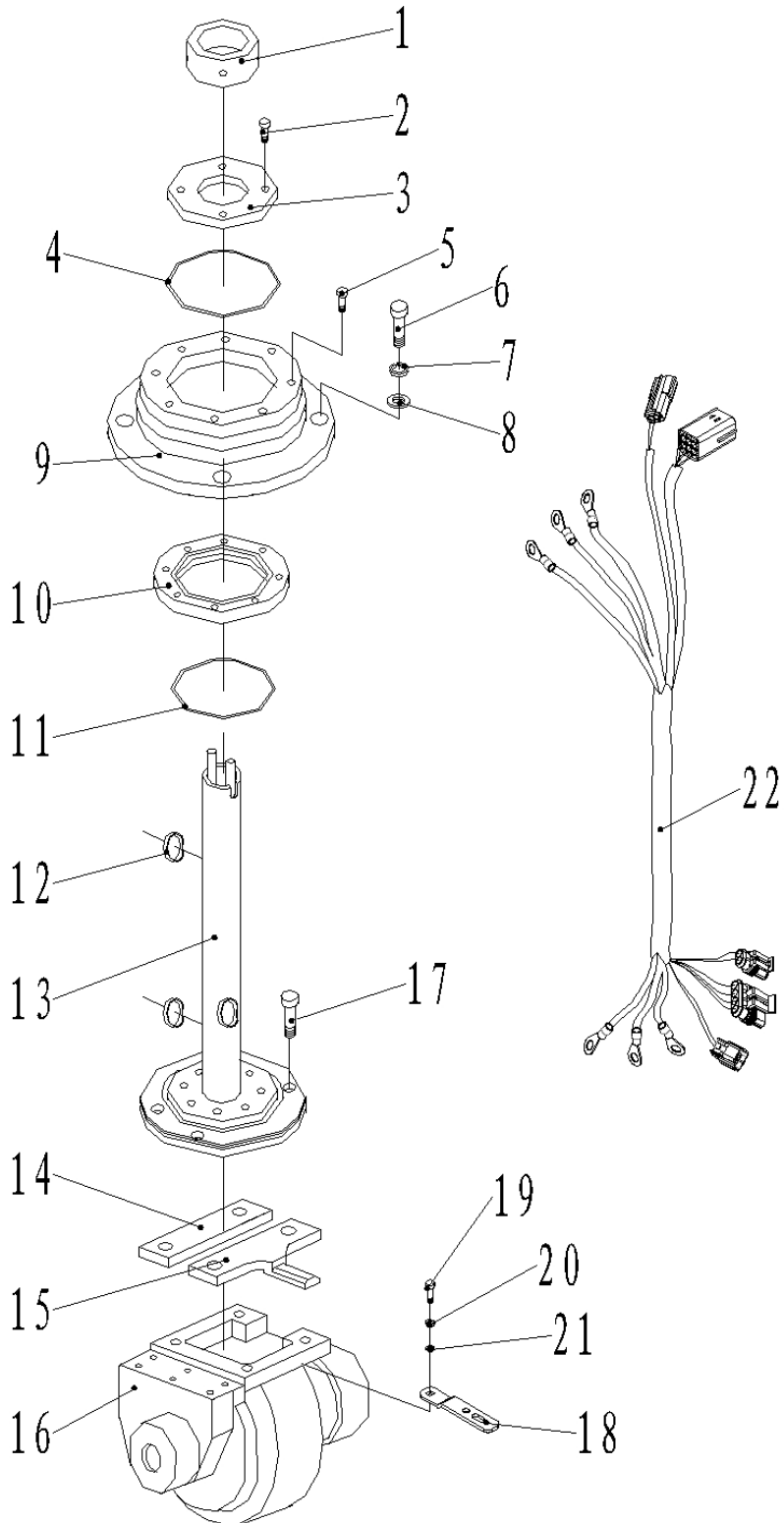


Fig.8 Driving system

No.	Art No.	Description	Qty.	Note	Standard
1	1010213001	Bushing	1		
2	0000023020	Screw	4	M6X20	GB/T70.1=ISO4762
3	1000207001	Cover for bearing	1		
4	0000022001	O-ring	1	105x5.7	GB1235
5	0000023030	Screw	4	M6X25	GB/T70.1=ISO4762
6	0000023034	Screw	4	M10X20	GB/T70.1=ISO4762
7	0000025002	Washer	4	10	GB/T95
8	0000023006	Washer	4	10	GB/T93
9	1000205002	Bearing seat	1		
10	1000227001	Bearing	1		
11	1000225001	Bearing washer	2		
12	1000218001	Rubber bushing	2		
13	9000008164	Long shaft assembly	1		
14	1000204001	Linking plate	1		
15	9000008883	Locating block	1		
16	9000007772	AC driving assembly	1		
17	0000023029	Screw	4	M10X35	GB/T70.1=ISO4762
18	9000009890	Connector seat	1		
19	0000023059	Screw	2	M4X8	GB/T70.1=ISO4762
20	0000025018	Washer	2	4	GB/T93
21	0000025019	Washer	2	4	GB/T95
22	9000008397	Drive motor wiring harness	1		

Fig.9 Drive wheel

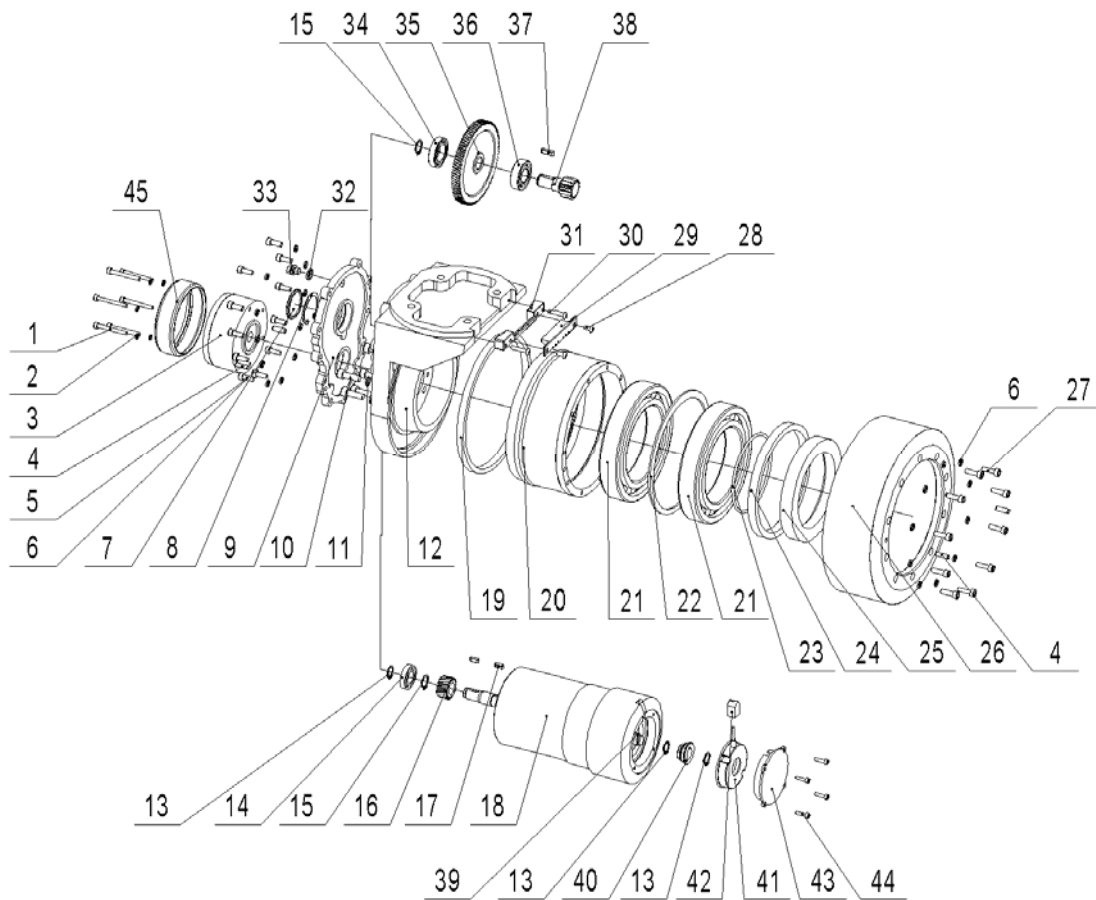


Fig.9 Drive wheel

No.	Art No.	Description	Qty.	Note	Standard
1	0090000101	Screw	6	M5x45	GB/T70.1=ISO4762
2	0000025015	Washer	6	5	GB/T93
3	9000009457	Brake	1		
4	0000028177	Roll pin	4	6x20	GB/T119.1
5	0000023040	Screw	11	M6x16	GB/T70.1=ISO4762
6	0000025010	Washer	21	6	GB/T93
7	9000008857	Cover	1		
8	0000026007	Retainer ring for hole	1	55	GB/T893.1
9	9000008847	Box cover	1		
10	0000023047	Screw	5	M8x25	GB/T70.1=ISO4762
11	0090000501	Copper pad	5	8	JB/T1002
12	9000009458	Box	1		
13	0000026004	Retainer ring for axle	1	15	GB/T894.1

14	0000022232	Oil seal	1	17x35x7	GB/T9877
15	0000026005	Retainer ring for axle	2	17	GB/T894.1
16	9000008849	Small gear	1		
17	0090000498	Flat key	2	5x14	GB/T1096
18	9000009459	Motor	1		
19	0000022007	Oil seal	1	188x202x10	GB/T9877
20	9000009460	Internal gear	1		
21	0000027010	Bearing	2	6022	GB/T276=ISO3290
22	0000026006	Retainer ring for hole	1	170	GB/T893.1
23	0000022008	O seal ring	1	110x3.55	GB/T3452.1=ISO3601
24	0000022009	Oil seal	1	148x165x12	GB/T9877
25	9000009461	Oil seal seat	1		
26	9000009462	Drive wheel	1		
27	0000023020	Screw	10	M6x20	GB/T70.1=ISO4762
28	0090000041	Screw	2	M5x10	GB/T70.2=ISO7380
29	9000008863	Upper wire holder	1		
30	0000023679	Screw	2	M5x25	GB/T70.1=ISO4762
31	9000008862	Down wire holder	1		
32	0000025021	Combination washer	1	10	JB/T982
33	2000303001	Vent plug	1	10	
34	0000027009	Bearing	1	16006	GB/T276=ISO3290
35	9000008856	Big gear	1		
36	0000027067	Bearing	1	6304	GB/T276=ISO3290
37	0000036001	Flat key	1	6x16	GB/T1096
38	9000008855	Gear shaft	1		
39	0090000475	Flat key	1	5x10	GB/T1096
40	9000008851	Shaft sleeve	1		
41	9000008852	Sensor components	1		
42	9000008854	Bushing	1		
43	9000008853	Protective cover	1		
44	0000023853	Screw	4	M4x16	GB/T70.1=ISO4762
45	9000009463	Dust cover	1		

Fig.10 Spare parts for steering wheel

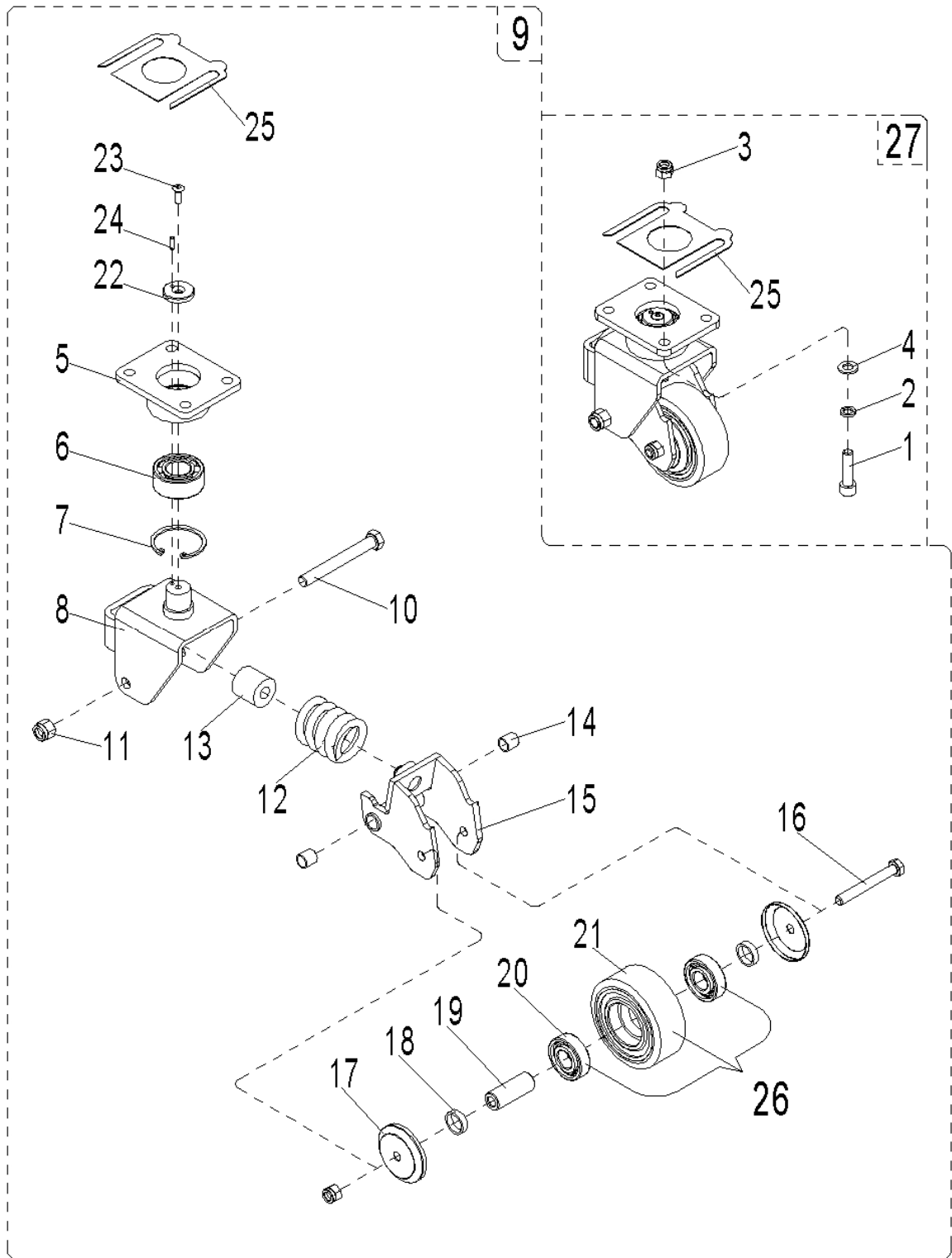


Fig.10 Spare parts for steering wheel

No.	Art No.	Description	Qty.	Note	Standard
1	0000023025	Screw	8	M10×40	GB/T70.1=ISO4762
2	0000023006	Spring washer	8	10	GB/T93
3	0000023005	Locking nut	10	M10	GB/T889.1=ISO7040
4	0000025002	Flat washer	8	10	GB/T95
5	1000401007	Linking plate	2		
6	0000027002	Bearing	2	3056205	GB/T296
7	0000026002	Retaining ring for hole	2	52	GB/T893.1
8	1000401006	Wheel frame	2		
9	1000400005	Steering wheel	2		
10	1000423004	Screw	2	M12×100	
11	0000024006	Locking nut	2	M12	GB/T889.1=ISO7040
12	1000431001	Spring	2	∅9 L62	
13	1000419001	Polyurethane spring	2		
14	1000413002	Bushing	4	12×15×15	
15	1000401008	Rotating arm	2		
16	0000023035	Bolt	2	M10×80	GB/T5782=ISO4014
17	1000404023	Dust cover	4		
18	1000425003	Washer	4		
19	1000402005	Shaft sleeve	2		
20	0000027001	Bearing	4	6204	GB/T276=ISO3290
21	1000403008	Castor	2	100×40	
22	1000426001	Shaft end retaining ring	2		
23	1000523002	Screw	2	M6×14	
24	0000028004	Cylindrical pin	2	4×14	GB/T119.2=ISO2338
25	1000404031	Adjusting washer		1mm	
	1000404032	Adjusting washer		0.5mm	
26	9000008903	Load wheel kit	2		
27	9000010423	Steering wheel accessories	2		

Fig.11 Load roller

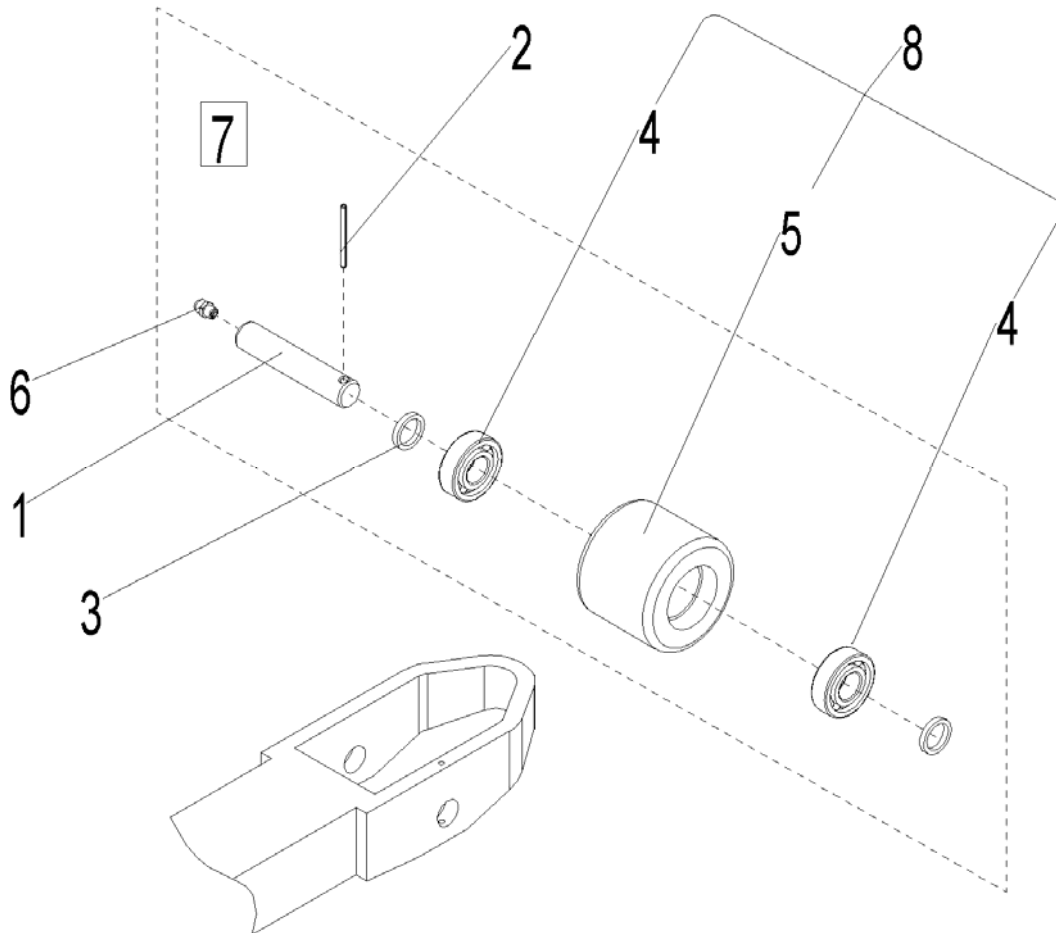


Fig. 11 Load roller

No.	Art No.	Description	Qty.	Note	Standard
1	2100607001	Shaft for load roller	2		
2	0000028013	Elastic cylindrical pin	2	4x50	GB/T879.1=ISO8752
3	2020425001	Washer	4	4	
4	0000027001	Bearing	4	6204	GB/T276=ISO3290
5	1000507011	Load wheel	2	84x70	
6	0000030004	Oil cup	2	8	JB/T7940.4
7	9000008952	Load wheel assembly	2		
8	9000010429	Load wheel kit	2		

Fig.12 Tiller arm

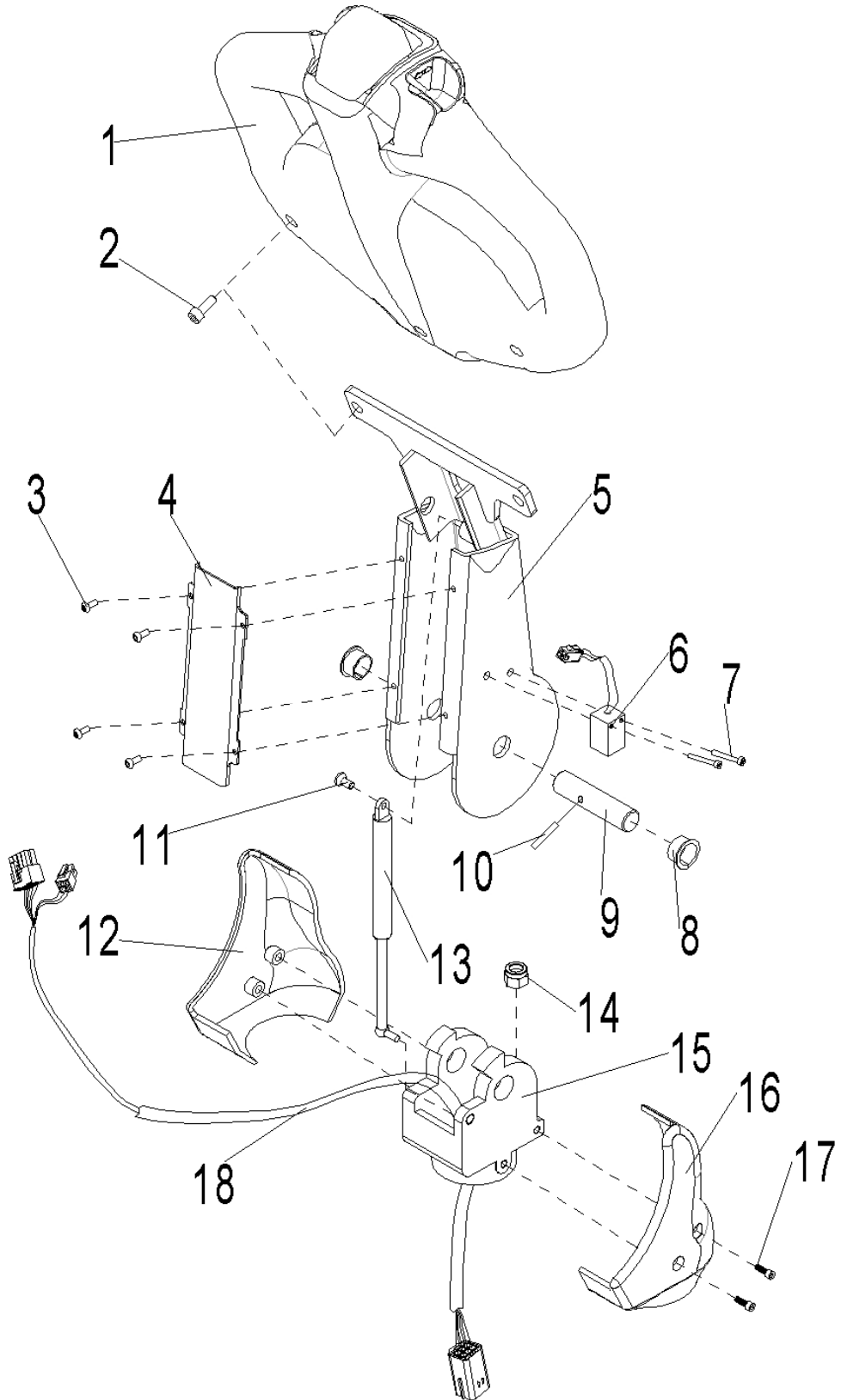


Fig 12 Tiller arm

No.	Art No.	Description	Qty.	Note	Standard
1	1100100001	Canbus handle	1		
2	0000023232	Screw	2	M8 × 25	GB/T5783=ISO4017
3	1000123003	Screw	4	M4 × 8	GB/T70.2=ISO7380
4	9000009961	Long cover board	1		
5	9000009962	Long welded tiller	1		
6	9000002319	Proximity switch	1		
7	0000023075	Screw	2	M3 × 20	GB/T70.1=ISO4762
8	1000113001	Shoulder harness	2	∅ 17 × ∅ 19 × 11	
9	9000007928	Tiller shaft	1		
10	0000028003	Elastic cylindrical pin	1	4 × 24	GB/T879.1=ISO8752
11	0000023044	Screw	1	M8 × 20	GB/T70.1=ISO4762
12	9000007930	Left cover	1		
13	1010121001	Air spring	1	400N	
14	0000023005	Lock nut	2	M10	GB/T889.1=ISO7040
15	9000007929	Tiller base	1		
16	9000007931	Right cover	1		
17	0000023519	Screw	4	M6 × 10	GB/T70.2=ISO7380
18	9000008380	Handle control wiring harness	1		

Fig.13 Tiller

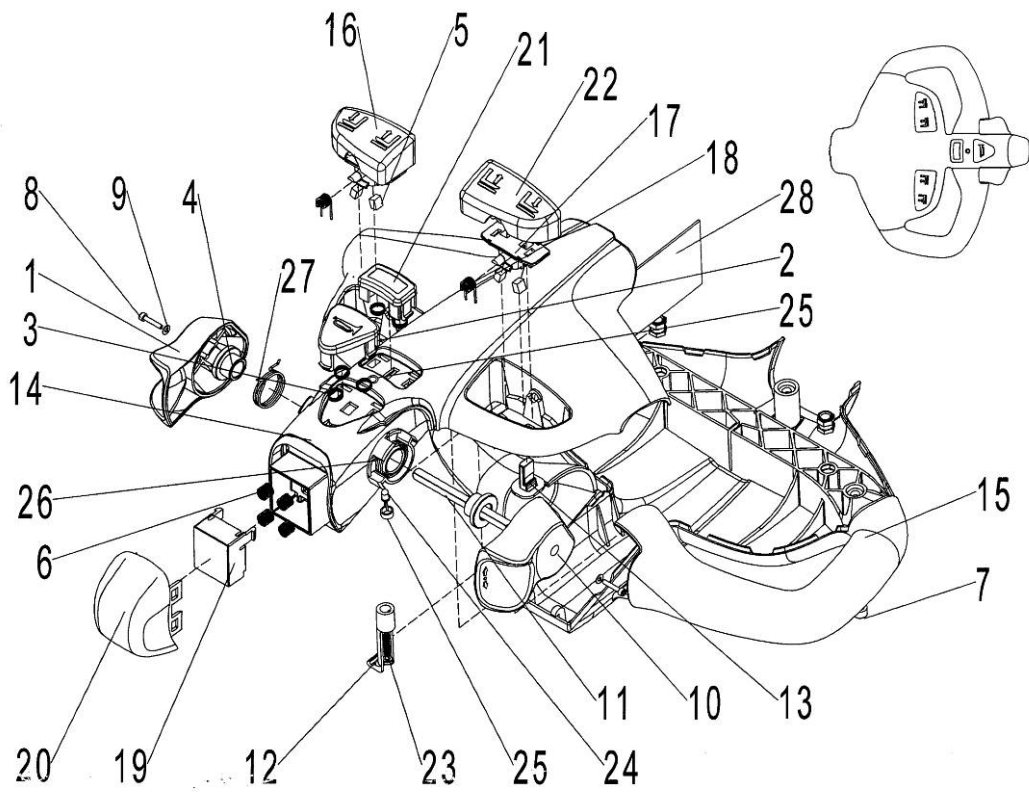


Fig.13 Tiller

No.	Art No.	Description	Qty.	Note	Standard
1	1010114001	Left drive knob	1		
2	1000114015	Horn button	1		
3	1000131009	Horn button spring	5		
4	1000113004	Camshaft bushing	2		
5	1000137001	Magnetic body	4		
6	1000131010	Spring	4		
7	0000023058	Screw	3	M6×10	GB/T70.1=ISO4762
8	0000023057	Screw	2	M3×16	GB/T70.1=ISO4762
9	0000025017	Washer	2	3	GB/T95
10	1010114003	Right drive knob	1		
11	1000107002	Shaft for drive knob	1		
12	1000137002	PCB clip	1		
13	1000134005	Sensor	2		
14	1000103012	Upper part of handle	1		
15	1000103013	Lower part of handle	1		
16	1000114017	Left button	1		
17	1000137003	Fixed seat for magnet	2		
18	1000131011	Torsional spring	2		
19	1000114018	Emergency changeover seat	1		
20	1000114020	External cover for emergency changeover	1		
21	1000114021	External cover for option switch	1		
22	1000114022	Right button	1		
23	0000023060	Screw	1	ST4.2× 25	
24	1000134006	LED bi-colour light	1		
25	1000103014	LED bi-colour light seat	1		
26	1000131012	Right driving knob torsional spring	1		
27	1000131013	Left driving knob torsional spring	1		
28	1100135001	PCB	1		

Fig.14 Pipeline system

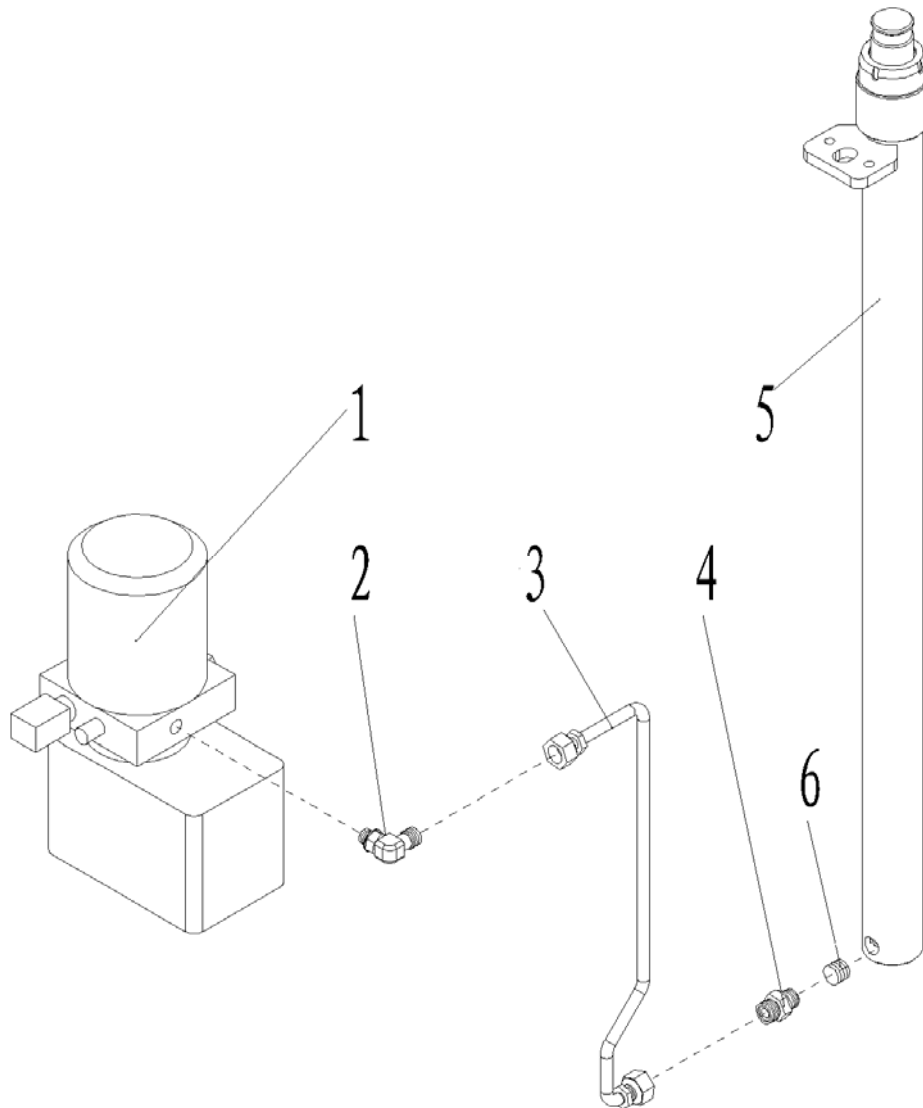


Fig.14 Pipeline system

No.	Art No.	Description	Qty.	Note	Standard
1	2100300006	DC power unit	1		
2	9000007836	G steering joint	1		
3	9000008176	Steel tube assembly	1		
4	9000007842	Straight joints	1		
5	2100337001	Cylinder	1	2000	
	2100337002	Cylinder	1	1600	
	2100337003	Cylinder	1	800	
6	2000337001	Safety explosion-proof valve	1		

Fig.15 Cylinder

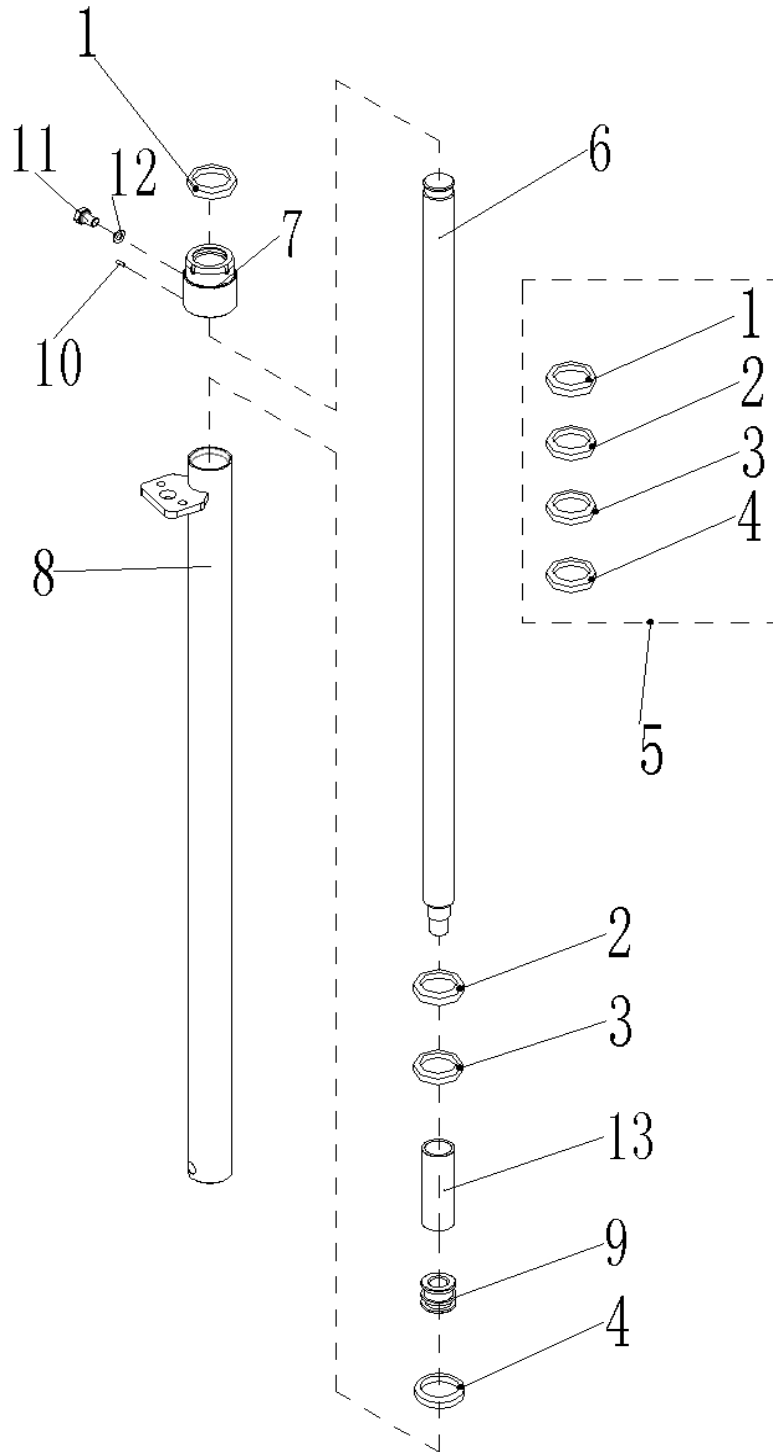


Fig.15 Cylinder

No.	Art No.	Description	Qty.	Note	Standard
1	2100322003	Dust ring	1	35×43-5/6.5	
2	0000022153	O-ring	1	40x3.1	GB1235
3	2230313003	Supporting ring for hole	1	40X15-2	
4	2100322002	Y seal ring	1	40×30-6	
5	9000010022	Seal kit	1		
6	9000011315	Piston rod	1		
	9000011319	Piston rod	1		
	9000011321	Piston rod	1		
7	9000011316	Cover	1		
8	9000011317	Cover	1		
	9000011320	Cover	1		
	9000011322	Cover	1		
9	9000011318	Piston	1		
10	0090000672	Screw	1	M6x5	
11	0090000120	R1/8 Plug	1		
12	0000025021	Washer	1	10	
13	9000011323	Cover	1	Only 800	

Fig.16 Pump station system

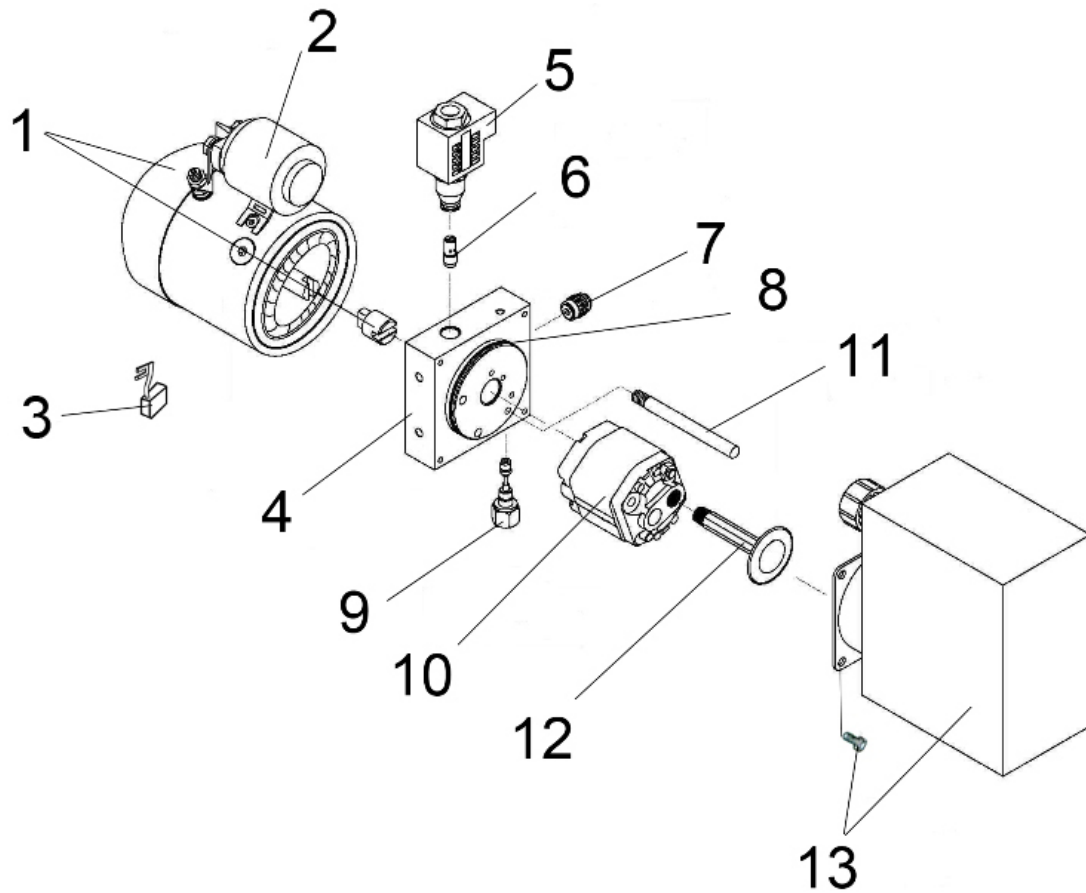


Fig.16 Pump station system

No.	Art No.	Description	Qty.	Note	Standard
1	2100300007	Motor	1		
2	2100334001	Starte relay	1		
3	2100335001	Carbon brush(assembly)	1		
4	2100315001	Valve	1		
5	2100337008	Electromagnetic valve	1		
6	2100337004	Throttling valve	1		
7	2100337005	Check valve	1		
8	2100322004	O-ring	1		
9	2100337006	Overflow valve	1		
10	2100300008	Gear pump	1		
11	2100317002	Oil return pipe	1		
12	2100317003	Oil suction pipe	1		
13	2100337007	Oil tank	1		

Fig.17 Chain assembly

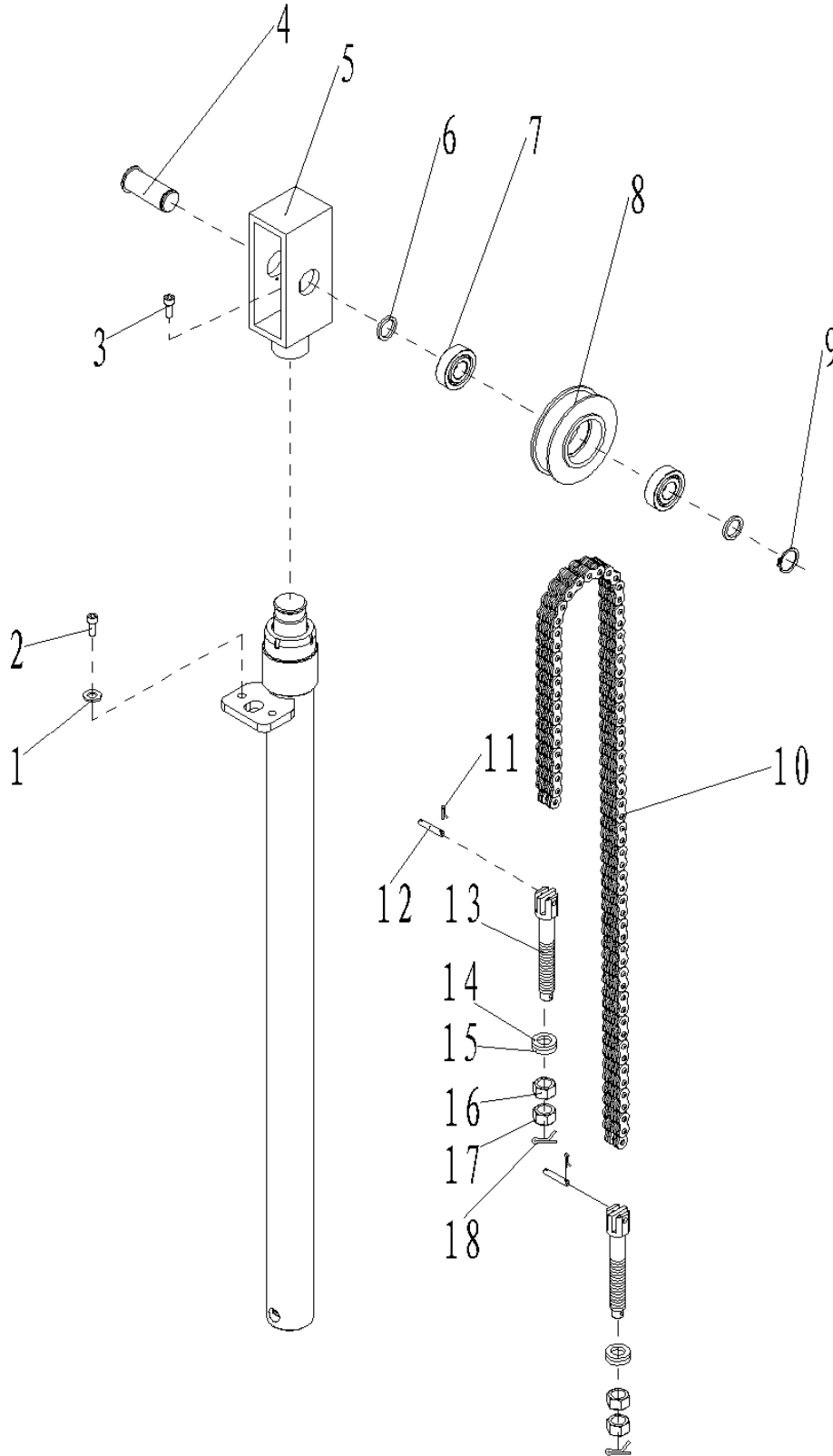


Fig.17 Chain assembly

No.	Art No.	Description	Qty.	Note	Standard
1	0000025001	Washer	2	8	GB/T93
2	0000023047	Screw	2	M8x25	GB/T70.1=ISO4762
3	0000023101	Bolt	1	M12x25	GB/T5783=ISO4017
4	3028002008	Chain wheel axle	1		
5	3028005002	Frame of chain wheel	1		
6	2240302001	Adjusting washer	2	2	
7	0000027011	Bearing	2	6205	GB/T276=ISO3290
8	3028002007	Chain wheel	1		
9	0000026013	Retainer ring for shaft	2	25	GB/T894.1
10	0090000585	Chain	1	LH1044x83	GB/T6074
	0090000586	Chain	1	LH1044x71	GB/T6074
	0090000587	Chain	1	LH1044x53	GB/T6074
11	0000028010	Split pin	2	2x20	GB/T91= ISO1234
12	0090000441	Pin roll	2	6x28	GB/T882
13	9000008177	Chain lever	2		
14	0000025099	Washer	2	16	GB/T850
15	0000025098	Washer	2	16	GB/T849
16	0000024042	Nut	2	M16x1.5	GB/T6171=ISO8673
17	0000024014	Nut	2	M16x1.5	GB/T6173=ISO8675
18	0000028070	Split pin	2	4x40	GB/T91= ISO1234

Fig.18 Controller parts

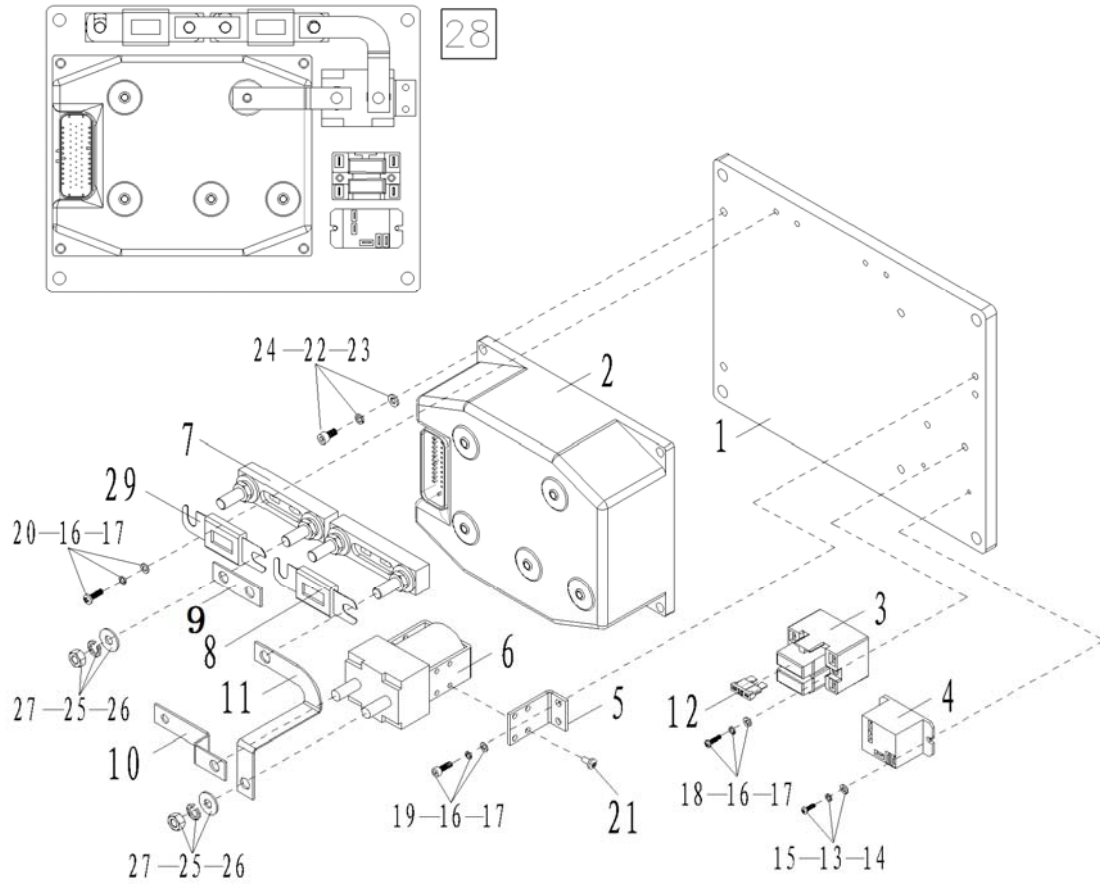


Fig.18 Controller parts

No.	Art No.	Description	Qty.	Note	Standard
1	9000008391	Controller assembly plate	1		
2	9000000235	Controller	1	CURTIS 1232E-2121	
3	9000008586	Fuse seat	1	BD-2×10A-1	
4	9000002322	Relay	1	ARP12F-1CDC24V	
5	9000008598	Main contactor assembly plate	1	▲	
6	1000434006	Traction motor contactor	1	C100/120 DC24V	
7	1000434007	Fuse seat	2	SY Y	
8	2210434004	Fuse	1	150A	
9	1020434003	Copper bar 1	1		
10	9000008388	Copper bar	1		
11	9000008387	Copper bar	1		
12	1000434040	Fuse	1	10A	
13	0000025018	Washer	8	4	GB/T93
14	0000025019	Washer	8	4	GB/T95
15	0000023071	Screw	4	M4×8	GB/T818=ISO7045
16	0000025009	Washer	2	4	GB/T93
17	0000025008	Washer	2	4	GB/T95
18	0000023019	Screw	2	M4×30	GB/T818=ISO7045
19	0000023023	Screw	2	M4×10	GB/T818=ISO7045
20	0000023211	Screw	2	M4×16	GB/T818=ISO7045
21	0000023727	Screw	2	M4×6	GB/T818=ISO7045
22	0000025010	Washer	4	6	GB/T93
23	0000023055	Washer	4	6	GB/T95
24	0000023478	Screw	4	M6×12	GB/T70.1=ISO4762
25	0000025001	Washer	10	8	GB/T93
26	0000025011	Washer	10	8	GB/T95
27	0000024086	Nut	10	M8	GB/T6170=ISO4032
28	9000008390	Controller components	1		
29	1010434005	Fuse	1	80A	

Fig.19 Main cable

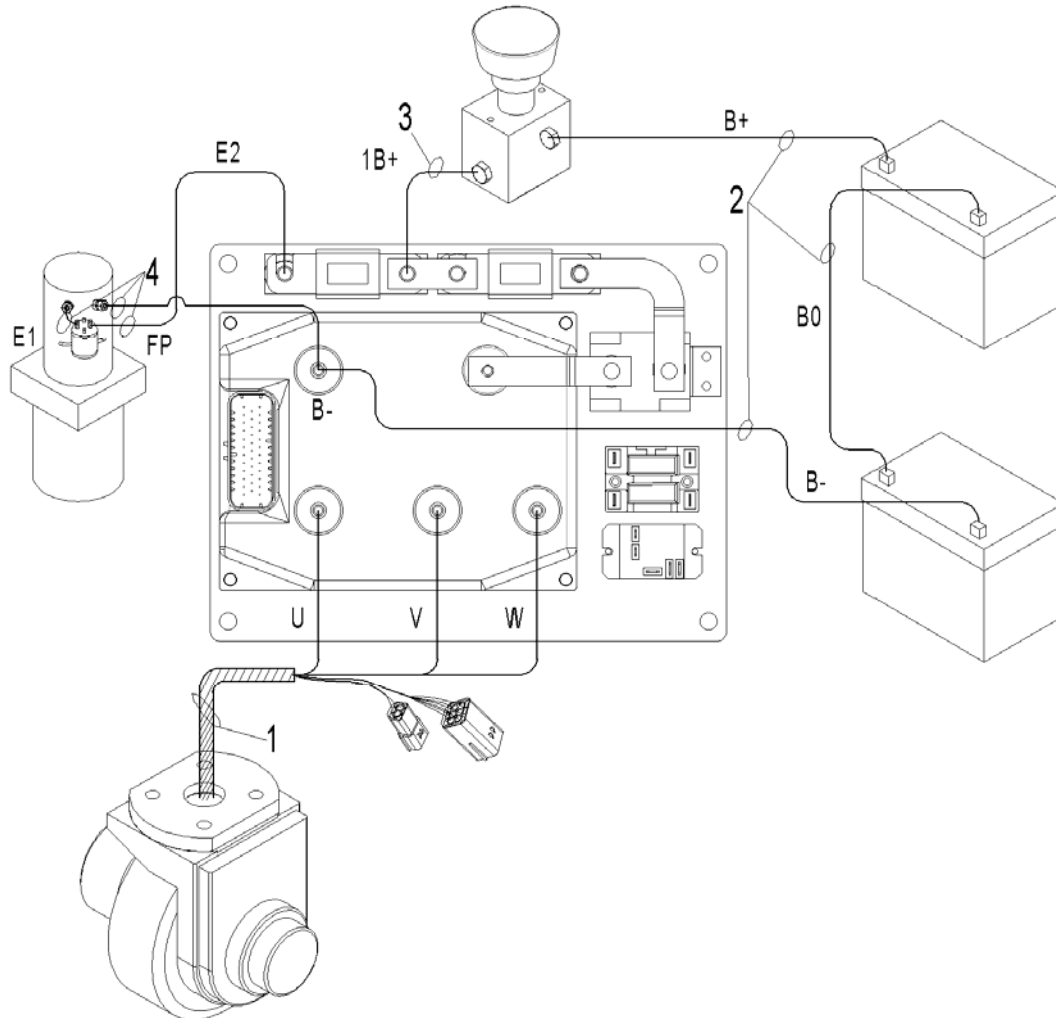


Fig.19 Main cable

No.	Art No.	Description	Qty.	Note	Standard
1	900008382	Drive motor cable	1		
2	900008384	Power supply cable	1		
3	900008385	FU+ cable	1		
4	900008383	Pump motor cable	1		

Fig.20 Pallet frame

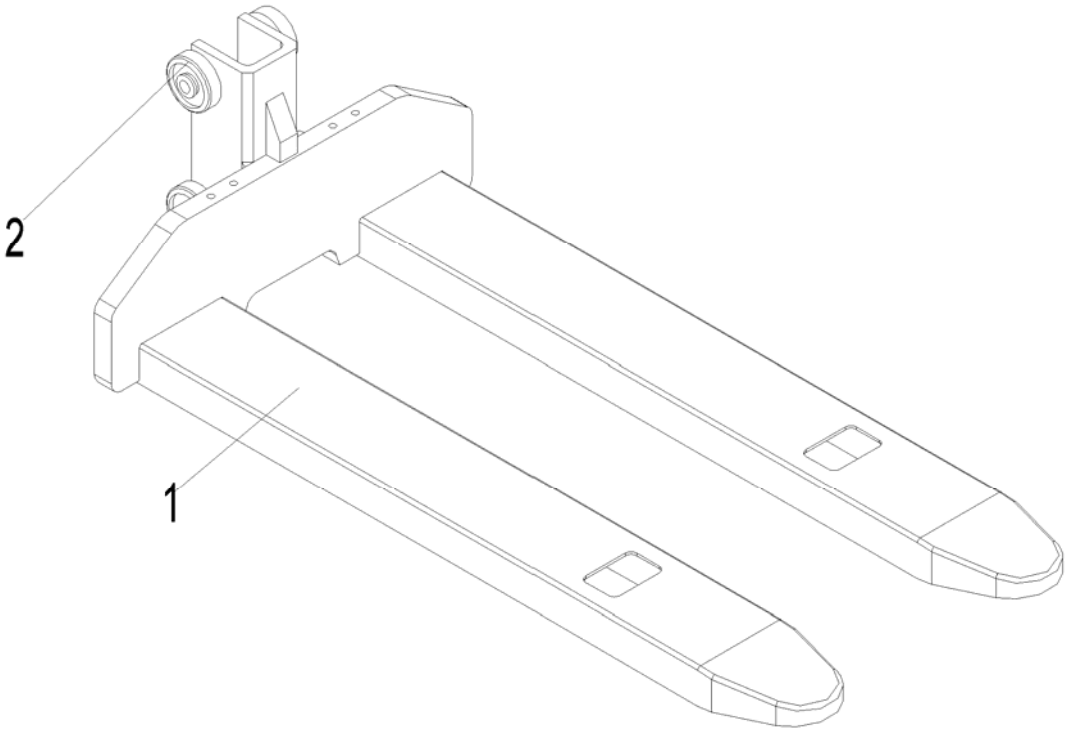


Fig.20 Pallet frame

No.	Art No.	Description	Qty.	Note	Standard
1	9000009822	Pallet frame	1	540x1150	
2	9000007760	Roller	4		

Fig.21 Pallet frame (straddle fork)

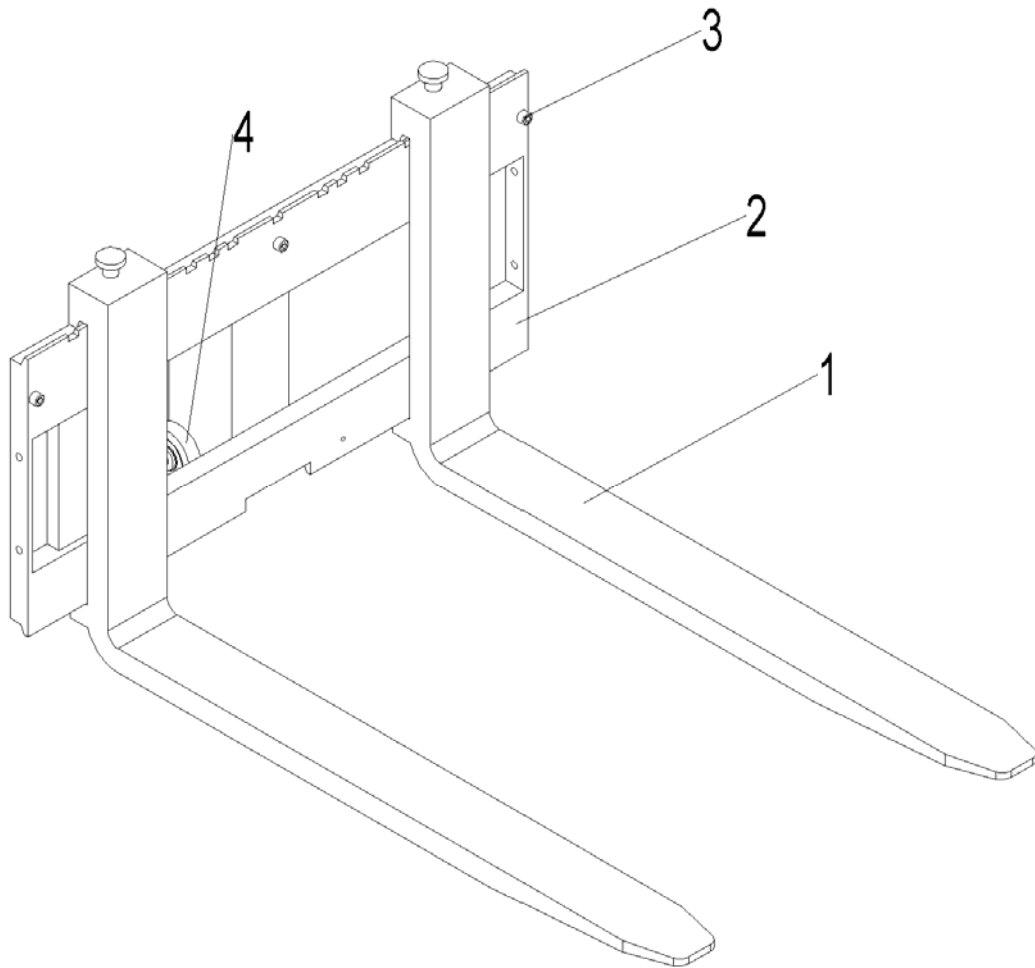


Fig.21 Pallet frame (straddle fork)

No.	Art No.	Description	Qty.	Note	Standard
1	2080501001	Fork	2	W100	
	2090501001	Fork	2	W100	
2	9000007256	Pallet fork backrest	1		
3	0000023088	Screw	3	M10x25	GB/T70.1=ISO4762
4	9000007760	Roller	4		

Fig.22 Backrest (option)

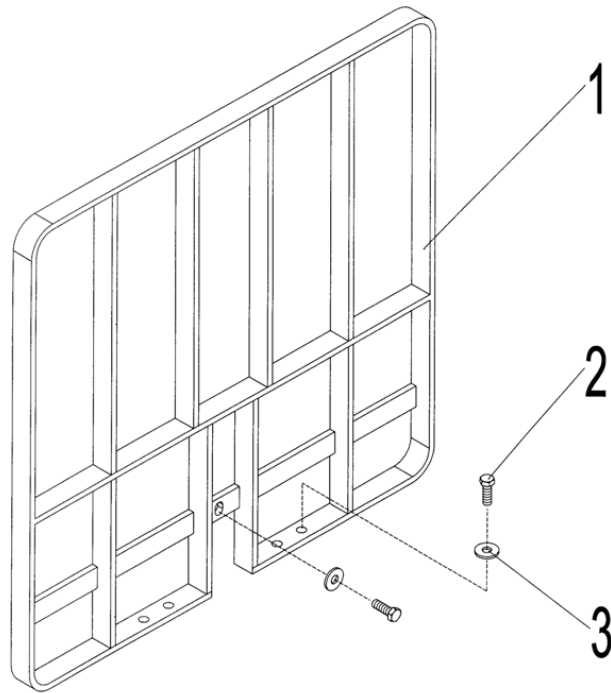


Fig.22 Backrest (option)

No.	Art No.	Description	Qty.	Note	Standard
1	2100501002	Backrest	1		
2	0000023034	Screw	4	M10×20	GB/T70.1=ISO4762
3	0000025002	Washer	5	10	GB/T95

Fig.23 Pallet frame (straddle fork option)

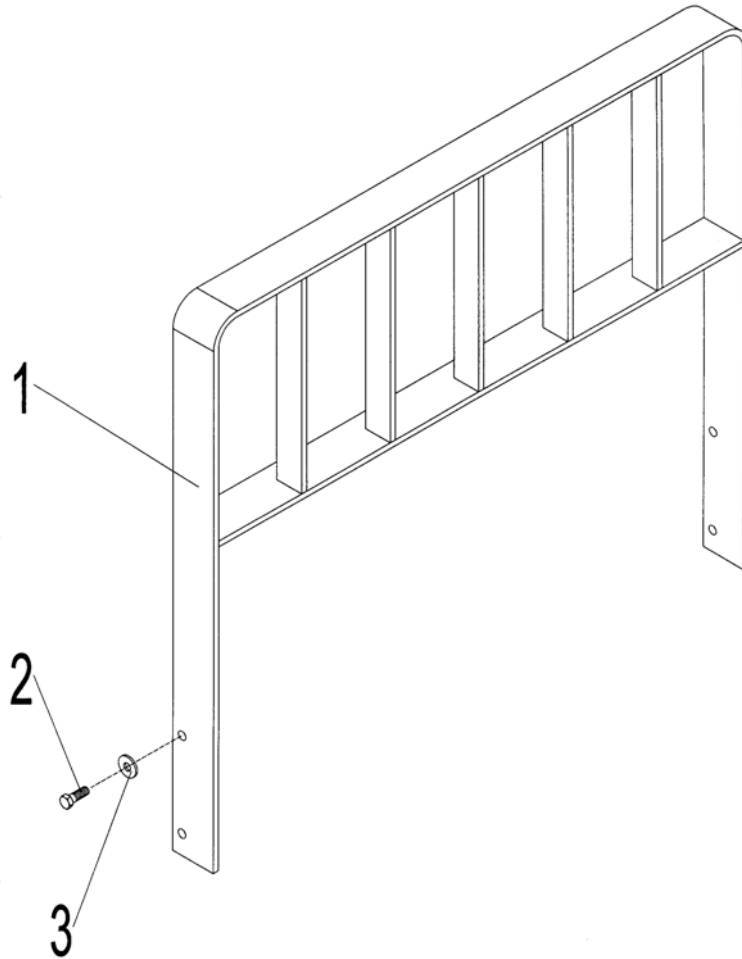


Fig.23 Pallet frame (straddle fork option)

No.	Art No.	Description	Qty.	Note	Standard
1	2100501004	Backrest	1		
2	0000023034	Screw	4	M10x20	GB/T70.1=ISO4762
3	0000025002	Washer	4	10	GB/T95

Easy worn parts list

No.	Art No.	Description	Qty.	Fig./Position	Note
1	2000435003	Magnetic switch	1	Fig.47	Chassis
2	1010434008	Fuse1A	1	Fig.7/29	Electrical components
3	0000022001	O-ring 105x5.7	1	Fig.8/4	Drive wheel
4	1000413002	Bushing $\varnothing 12 \times \varnothing 15 \times 15$	4	Fig.10/14	Steering wheel
5	9000008903	Load wheel kit	2	Fig.10/26	
6	9000010423	Steering wheel accessories	2	Fig.10/27	
7	9000008952	Load roller	2	Fig.11/7	Load wheel
8	9000010429	Load wheel kit	2	Fig.11/8	
9	1000113001	Shoulder harness $\varnothing 17 \times \varnothing 19 \times 11$	2	Fig.12/8	Tiller arm
10	1010121001	Air spring	1	Fig.12/13	
11	2100322003	Dust cover $35 \times 43-5/6.5$	1	Fig.15/1	Cylinder
12	2100322004	O seal ring 40x3.1	1	Fig.15/2	
13	2230313003	Supporting ring for hole 40X15-2	1	Fig.15/3	
14	2100322002	Y seal ring $40 \times 30-6$	1	Fig.15/4	
15	9000010022	Seal kit	1	Fig.15/5	
16	2210434004	Fuse 150A	1	Fig.18/8	Controller parts
17	1000434040	Fuse 10A	1	Fig.18/12	
18	1010434005	Fuse 80A	1	Fig.18/29	