

LPT20_22_25-BPT-005_EN



Parts & Components Manual

LPT20/LPT22/LPT25 POWER PALLET TRUCK

Date:2014.11

CONTENT

| | | |
|--------|--|------------|
| FIG. 1 | SPARE PARTS FOR FRAME WITH 85MM..... | 2 |
| FIG.2 | SPARE PARTS FOR FRAME WITH 75MM HEIGHT | 5 |
| FIG.3 | SPARE PARTS FOR LOAD WHEEL WITH 85MM HEIGHT | 7 |
| FIG.4 | SPARE PARTS FOR LOAD WHEEL WITH 75MM HEIGHT | 9 |
| FIG.5 | PARTS FOR NORMAL HANDLE AXLE..... | 11 |
| FIG.6 | PARTS FOR ROTATABLE HANDLE AXLE | 12 |
| FIG.7 | SPARE PARTS FOR CHASSIS..... | 14 |
| FIG.8 | SPARE PARTS FOR STEERING WHEEL | 16 |
| FIG.9 | SPARE PARTS FOR DISTRIBUTION BOX | 19 |
| FIG.10 | SPARE PARTS FOR ELECTRICITY | 21 |
| FIG.11 | LINKING PARTS FOR ELECTRICITY FOR NOBLELIFT HANDLE AND REMA HANDLE | 23 |
| FIG.12 | LINKING PARTS FOR ELECTRICITY FOR CANBUS HANDLE..... | 25 |
| FIG.13 | LINKING PARTS FOR ELECTRICITY FOR NOBLELIFT HANDLE AND REMA HANDLE FOR LPT22..... | 27 |
| FIG.14 | LINKING PARTS FOR ELECTRICITY FOR CANBUS HANDLE FOR LPT22..... | 29 |
| FIG.15 | SPARE PARTS FOR PUMP | 31 |
| FIG.16 | SPARE PARTS FOR PUMP STATION | 33 |
| FIG.17 | SPARE PARTS FOR NOBLELIFT HANDLE..... | 35 |
| FIG.18 | SPARE PARTS FOR CAN-BUS HANDLE | 37 |
| FIG.19 | SPARE PARTS FOR CANBUS HAND KNOB FOR CAN-BUS | 39 |
| FIG.20 | SPARE PARTS FOR REMA HANDLE | 41 |
| FIG.21 | SPARE PARTS FOR REMA HANDLE KNOB..... | 43 |
| FIG.22 | SPARE PARTS FOR DRIVING WHEEL (6EL-DC-A) | 45 |
| FIG.23 | SPARE PARTS FOR DRIVING WHEEL (6EL-DC-JB) | 48 |
| FIG.24 | SPARE PARTS FOR DRIVING WHEEL (7EL-AC-1.5) | 49 |
| FIG.25 | FOOT PEDAL..... | 53 |
| FIG.26 | PROTECTIVE ARM | 54 |
| FIG.27 | LPT20/25 MAIN WIRING HARNESS | 55 |
| FIG.28 | LPT20/25 CONTROL WIRING HARNESS FOR HANDLE | 56 |
| FIG.29 | LPT22 MAIN WIRING HARNESS | 错误! 未定义书签。 |
| FIG.30 | LPT22 CONTROL WIRING HARNESS FOR HANDLE | 57 |

Fig. 1 Spare parts for frame with 85mm

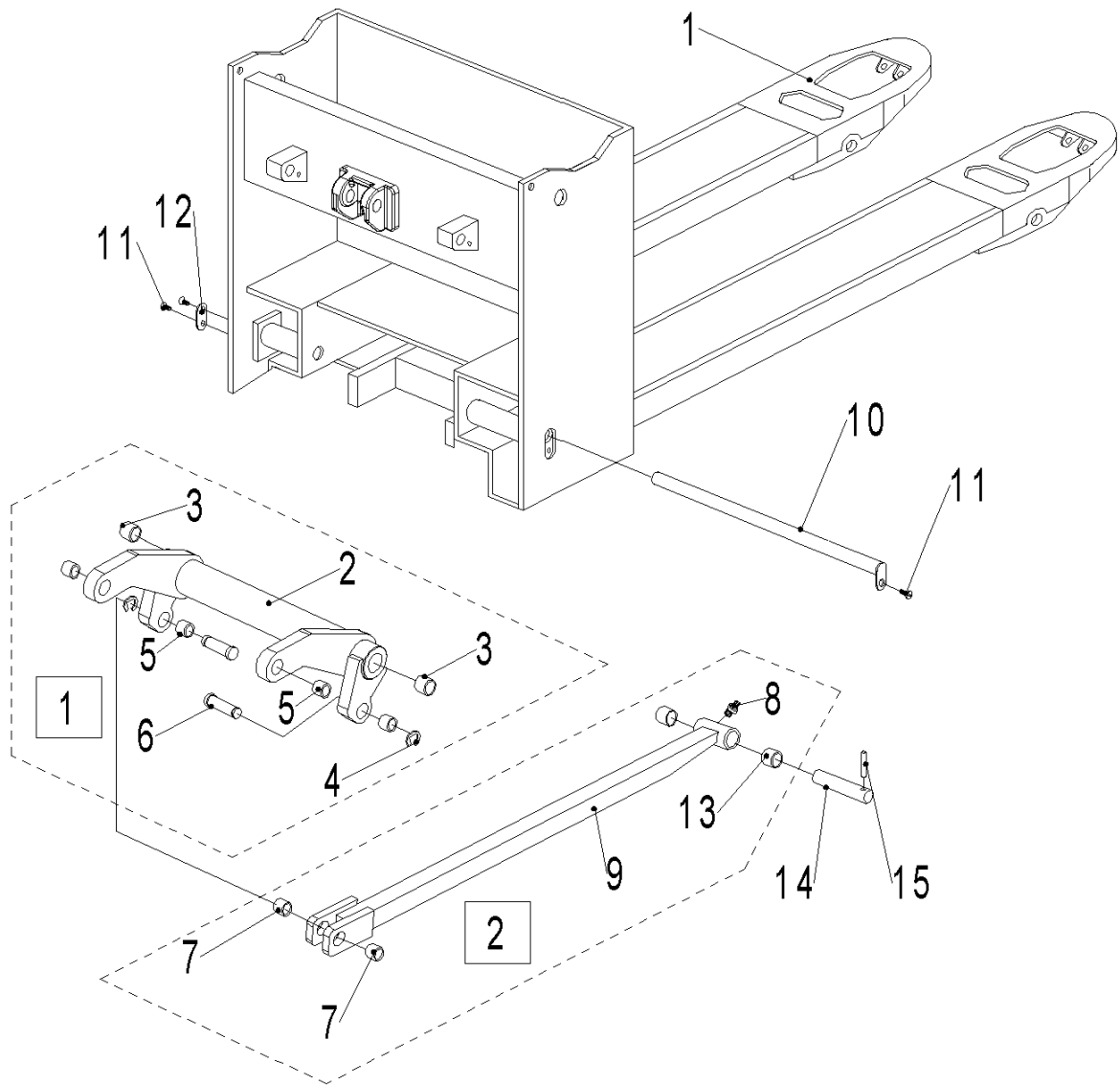


Fig. 1 Spare parts for frame with 85mm

| No. | Part Number | Item | Quantity | Remarks |
|-----|-------------|----------------------|----------|---------------|
| 1 | 1020501004 | Frame | 1 | 540X900 |
| 1 | 1020501002 | Frame | 1 | 540X1150 |
| 1 | 1020501003 | Frame | 1 | 540X1220 |
| 1 | 1020501005 | Frame | 1 | 540X1370 |
| 1 | 1020501009 | Frame | 1 | 665X1150 |
| 1 | 1020501008 | Frame | 1 | 685X800 |
| 1 | 1020501006 | Frame | 1 | 685X1150 |
| 1 | 1020501007 | Frame | 1 | 685X1220 |
| 1 | 1020501026 | Frame | 1 | 685X1500 |
| 1 | 1020501027 | Frame | 1 | 685X1800 |
| 1 | 1020501028 | Frame | 1 | 685X2000 |
| 2 | 9000010266 | Rock arm | 1 | 540 |
| 2 | 1020501017 | Rock arm | 1 | 665 |
| 2 | 9000010260 | Rock arm | 1 | 685 |
| 3 | 0000027006 | Bushing | 2 | |
| 4 | 0000026001 | Split retaining ring | 2 | |
| 5 | 0000013001 | Bushing | 4 | |
| 6 | 1000507019 | Connecting shaft | 2 | |
| 7 | 0000027005 | Bushing | 4 | |
| 8 | 0000030002 | Greasing cup | 2 | |
| 9 | 9000010264 | Pushing rod | 2 | L=800 |
| 9 | 9000010263 | Pushing rod | 2 | L=900 |
| 9 | 9000010261 | Pushing rod | 2 | L=1150 |
| 9 | 9000010262 | Pushing rod | 2 | L=1220 |
| 9 | 1020501032 | Pushing rod | 2 | L=1150(LPT25) |
| 9 | 1020501033 | Pushing rod | 2 | L=1220(LPT25) |
| 9 | 9000010265 | Pushing rod | 2 | L=1370 |
| 9 | 9000010573 | Pushing rod | 2 | L=1500 |
| 9 | 9000010575 | Pushing rod | 2 | L=1800 |
| 9 | 9000010576 | Pushing rod | 2 | L=2000 |
| 10 | 1020501001 | Shaft for rock arm | 1 | |
| 11 | 1000523002 | Screw | 3 | |
| 12 | 1000504001 | Fixed plate | 1 | |

| | | | | |
|----|------------|-------------------------|---|---------------|
| 13 | 0000027008 | Bushing | 4 | |
| 14 | 1000507020 | Shaft for pushing rod | 2 | |
| 15 | 0000028002 | Elastic pin | 2 | |
| ① | 9000010570 | Rock arm assembly (540) | 1 | 540 |
| ① | 1020500018 | Rock arm assembly (665) | 1 | 665 |
| ① | 9000010571 | Rock arm assembly (685) | 1 | 685 |
| ② | 9000010276 | Pushing rod assembly | 2 | L=800 |
| ② | 9000010275 | Pushing rod assembly | 2 | L=900 |
| ② | 9000010273 | Pushing rod assembly | 2 | L=1150 |
| ② | 9000010274 | Pushing rod assembly | 2 | L=1220 |
| ② | 1020500023 | Pushing rod assembly | 2 | L=1150(LPT25) |
| ② | 1020500024 | Pushing rod assembly | 2 | L=1220(LPT25) |
| ② | 9000010277 | Pushing rod assembly | 2 | L=1370 |
| ② | 9000010574 | Pushing rod assembly | 2 | L=1500 |
| ② | 9000010577 | Pushing rod assembly | 2 | L=1800 |
| ② | 9000010578 | Pushing rod assembly | 2 | L=2000 |

Fig.2 Spare parts for frame with 75mm height

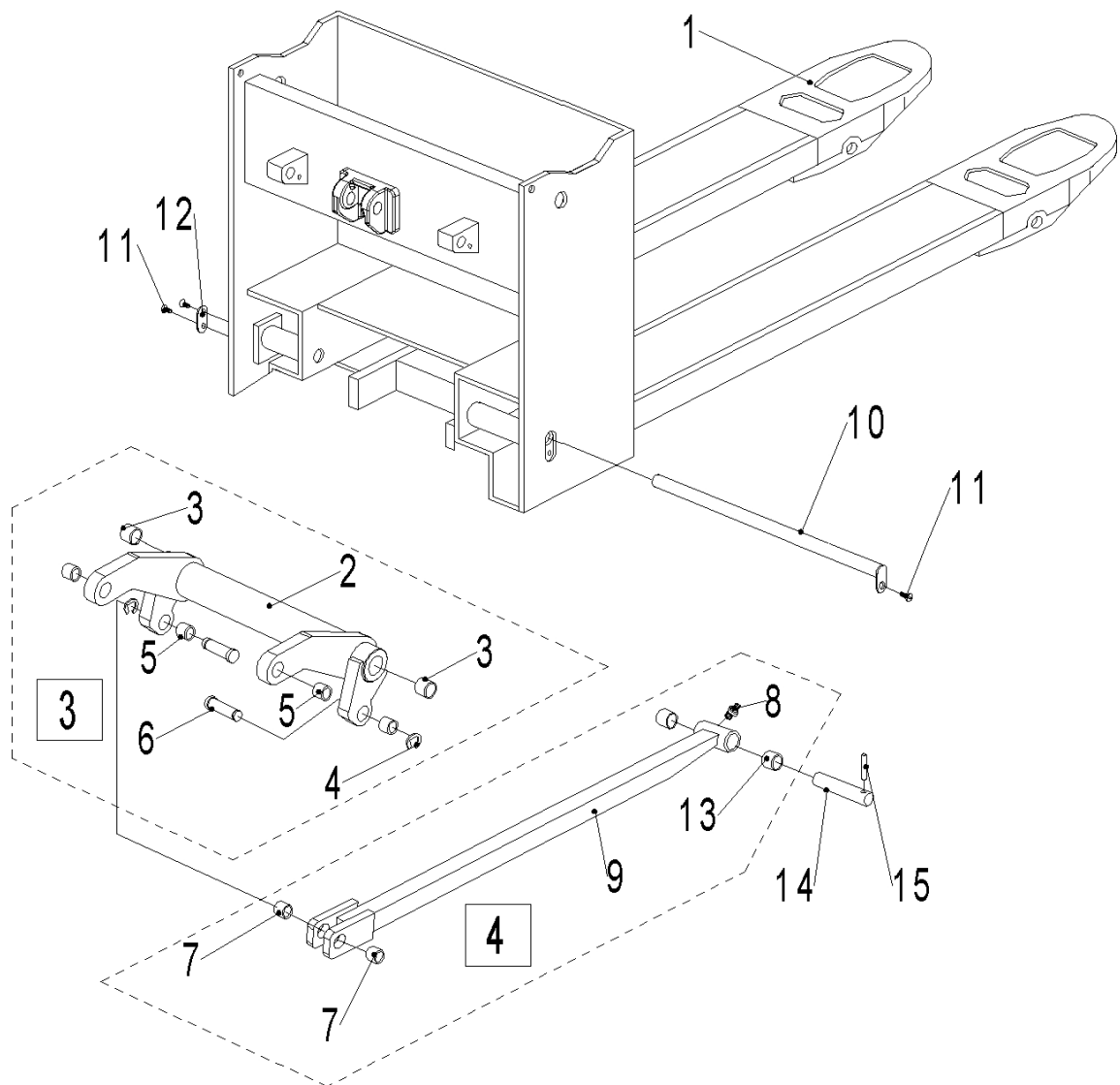


Fig.2 Spare parts for frame with 75mm height

| No. | Part Number | Item | Quantity | Remarks |
|-----|-------------|-------------------------|----------|----------|
| 1 | 1020501010 | Frame | 1 | 540X1150 |
| 1 | 1020501011 | Frame | 1 | 540X1220 |
| 1 | 1020501014 | Frame | 1 | 620X1150 |
| 1 | 1020501012 | Frame | 1 | 685X1150 |
| 1 | 1020501013 | Frame | 1 | 685X1220 |
| 2 | 9000010266 | Rock-arm | 1 | 540 |
| 2 | 1020501016 | Rock-arm | 1 | 620 |
| 2 | 9000010260 | Rock-arm | 1 | 685 |
| 3 | 0000027006 | Bushing | 2 | |
| 4 | 0000026001 | Split retaining ring | 2 | |
| 5 | 0000013001 | Bushing | 4 | |
| 6 | 1000507019 | Connecting shaft | 2 | |
| 7 | 0000027005 | Bushing | 4 | |
| 8 | 0000030002 | Greasing cup | 2 | |
| 9 | 9000010258 | Pushing rod | 2 | L=1150 |
| 9 | 9000010259 | Pushing rod | 2 | L=1220 |
| 10 | 1020501001 | Shaft for pushing rod | 1 | |
| 11 | 1000523002 | Screw | 3 | |
| 12 | 1000504001 | Fixed plate | 1 | |
| 13 | 0000027008 | Bushing | 4 | |
| 14 | 1000507004 | Shaft for pushing rod | 2 | |
| 15 | 0000028009 | Elastic pin | 2 | |
| ③ | 9000010570 | Rock arm assembly (540) | 1 | 540 |
| ③ | 1020500020 | Rock arm assembly (620) | 1 | 620 |
| ③ | 9000010571 | Rock arm assembly (685) | 1 | 685 |
| ④ | 9000010270 | Pushing rod assembly | 2 | L=1150 |
| ④ | 9000010271 | Pushing rod assembly | 2 | L=1220 |

Fig.3 Spare parts for load wheel with 85mm height

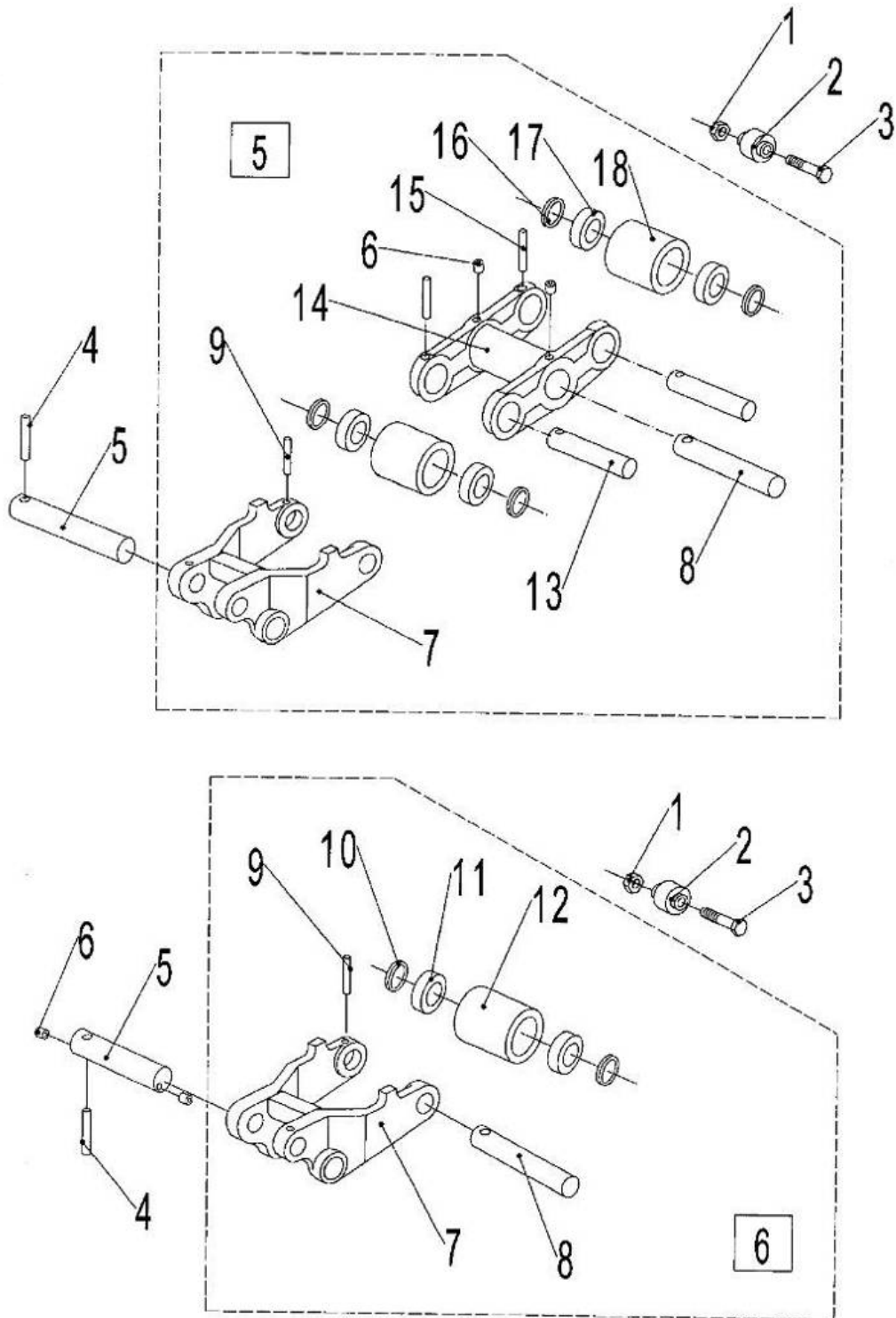


Fig.3 Spare parts for load wheel with 85mm height

| No. | Part Number | Item | Quantity | Remarks |
|-----|-------------|------------------------------|----------|-----------------|
| 1 | 0000024097 | Locking nut | 2 | |
| 2 | 1000516001 | Enter roller | 2 | |
| 3 | 0000023004 | Bolt | 2 | |
| 4 | 0000028009 | Elastic pin | 2 | |
| 5 | 1000507003 | Shaft for bracket | 2 | |
| 6 | 0000030001 | Greasing cup | 4/8 | Single roller 4 |
| 7 | 1000505001 | Frame of Roller | 2 | |
| 8 | 1000507010 | Shaft for load roller | 2 | |
| 9 | 0000028002 | Elastic pin | 2 | Single roller |
| 10 | 1000525001 | Washer | 4 | Single roller |
| 11 | 0000027001 | Bearing | 4 | Single roller |
| 12 | 1000516002 | Load roller | 2 | Single roller |
| 13 | 1000507012 | Shaft for load roller | 4 | Double roller |
| 14 | 1000505007 | Linking plate | 2 | Double roller |
| 15 | 0000028006 | Elastic pin | 4 | Double roller |
| 16 | 1000525001 | Washer | 8 | Double roller |
| 16 | 1000525001 | Washer | 8 | Double roller |
| 16 | 1000525001 | Washer | 8 | Double roller |
| 17 | 0000027003 | Bearing | 8 | Double roller |
| 18 | 1000507011 | Load roller | 4 | Double roller |
| 5 | 1000500015 | Assembly for Frame of roller | 2 | Double roller |
| 6 | 1000500016 | Assembly for Frame of roller | 2 | Single roller |

Fig. 4 Spare parts for load wheel with 75mm height

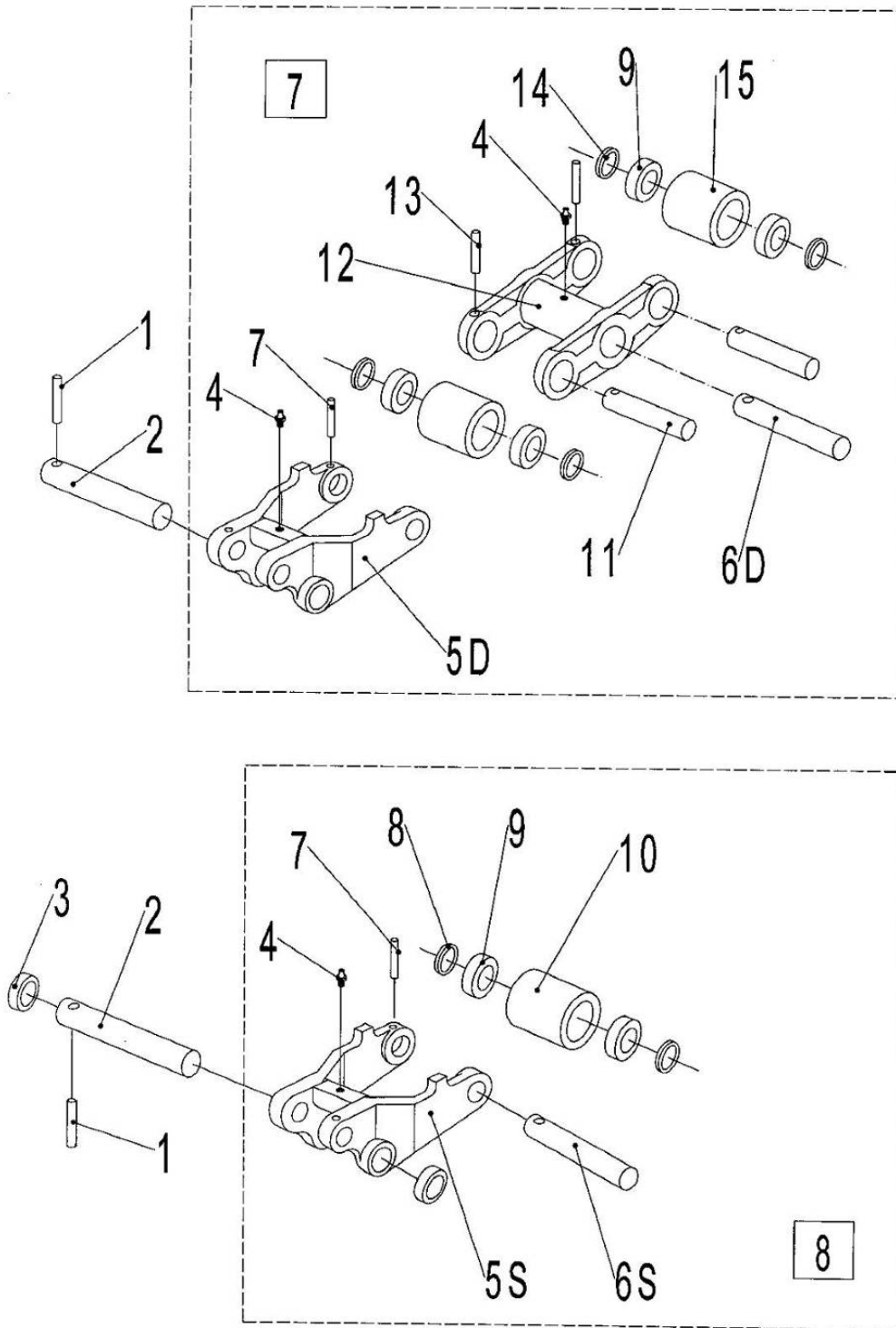


Fig. 4 Spare parts for load wheel with 75mm height

| No. | Part Number | Item | Quantity | Remarks |
|-----|-------------|------------------------------|----------|--------------------|
| 1 | 0000028009 | Elastic pin | 2 | |
| 2 | 1000507003 | Shaft for frame of roller | 2 | |
| 3 | 1000525001 | Washer | 8 | |
| 4 | 0000030002 | Greasing cup | 2/4 | Single roller:2pcs |
| 5S | 1020505001 | Frame of roller | 2 | Single roller |
| 5D | 1020505002 | Frame of roller | 2 | Double roller |
| 6S | 1000507013 | Shaft for load roller | 2 | Single roller |
| 6D | 1000507014 | Linking shaft | 2 | Double roller |
| 7 | 0000028002 | Elastic pin | 2 | |
| 8 | 1000525001 | Washer | 4 | Single roller |
| 9 | 0000027001 | Bearing | 4 | Single roller |
| 9 | 0000027001 | Bearing | 8 | Double roller |
| 10 | 1000516003 | Load roller | 2 | Single roller |
| 11 | 1000507015 | Shaft for load roller | 4 | Double roller |
| 12 | 1000505008 | Double wheel carrier | 2 | Double roller |
| 13 | 0000028007 | Elastic pin | 4 | Double roller |
| 14 | 1000525001 | Washer | 8 | Double roller |
| 14 | 1000525001 | Washer | 8 | Double roller |
| 15 | 1000516004 | Load roller | 4 | Double roller |
| 7 | 1020500021 | Assembly for Frame of roller | 2 | Double roller |
| 8 | 1020500022 | Assembly for Frame of roller | 2 | Single roller |

Fig5 Parts for normal handle axle

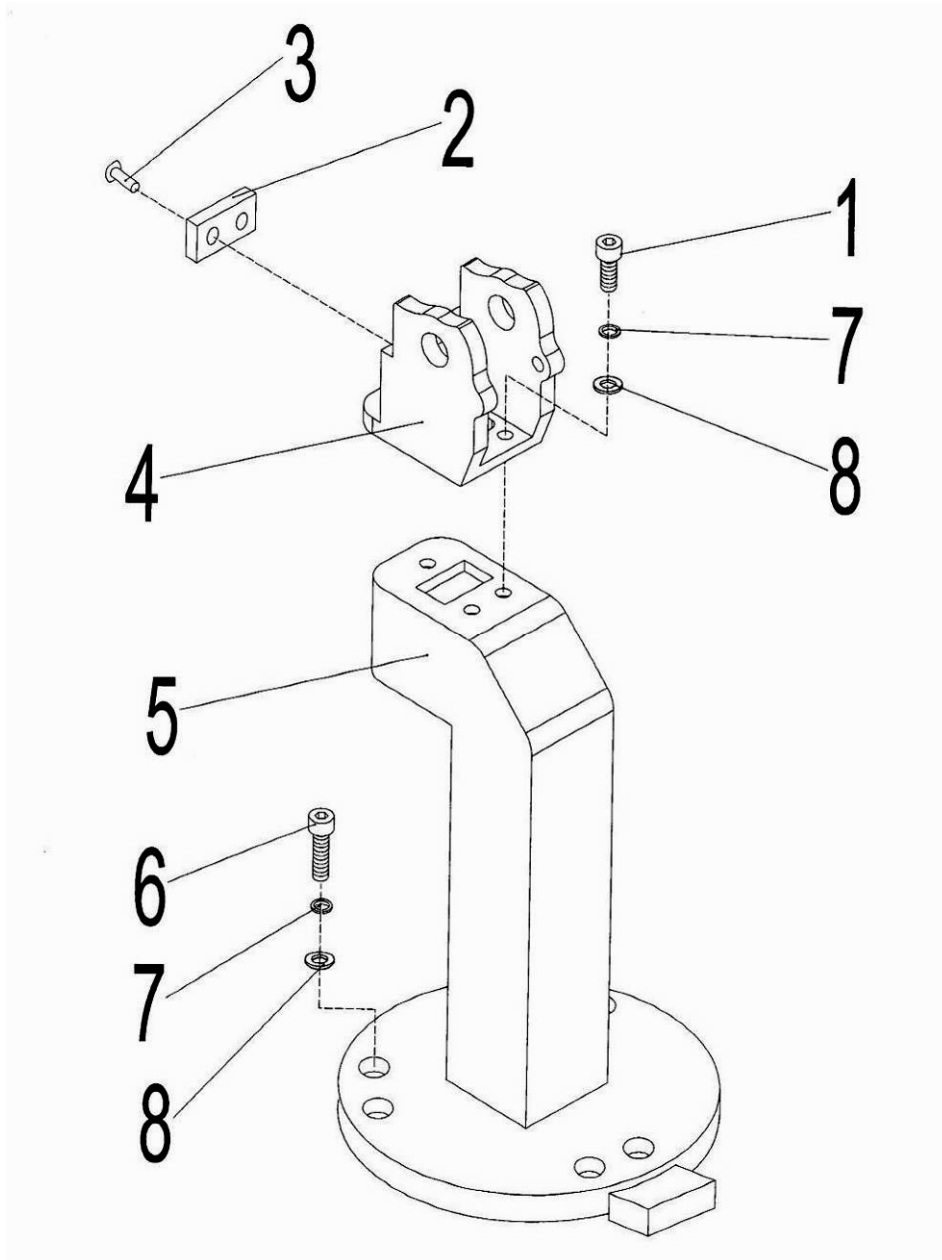


Fig 5 Parts for normal handle axle

| No. | Part Number | Item | Quantity | Remarks |
|-----|-------------|--------------------------|----------|---------|
| 1 | 0000023044 | Screw | 3 | |
| 2 | 1020119001 | Antivibration pad | 1 | |
| 3 | 0000023042 | Screw | 2 | |
| 4 | 1020137001 | Linking joint for handle | 1 | |
| 5 | 1020101001 | Handle Axle assembly | 1 | |
| 6 | 0000023172 | Screw | 6 | |
| 7 | 0000025001 | Spring washer | 9 | |
| 8 | 0000025011 | Flat washer | 9 | |

Fig 6 Parts for rotatable handle axle

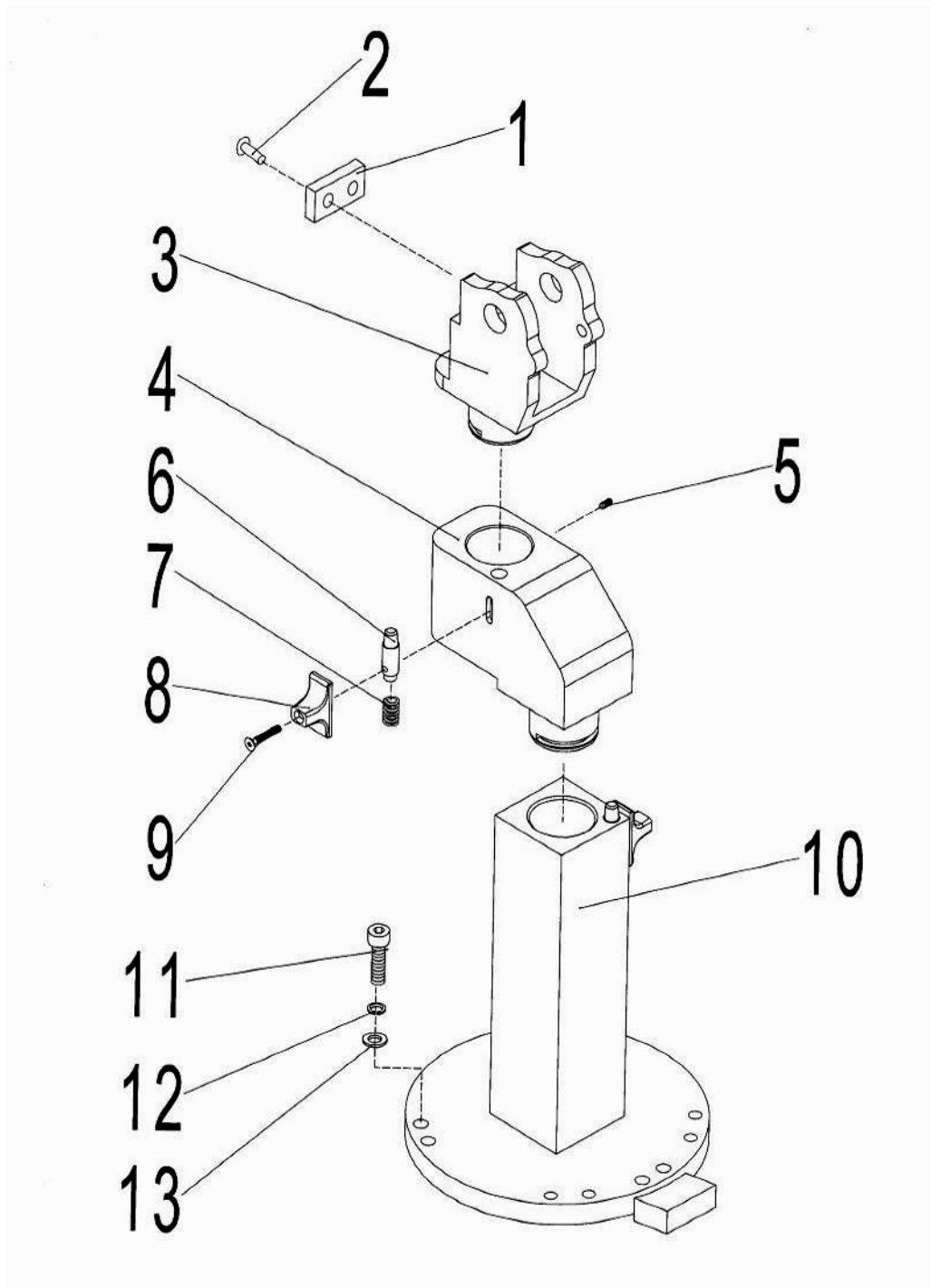


Fig 6 Parts for rotatable handle axle

| No. | Part Number | Item | Quantity | Remarks |
|------------|--------------------|--------------------------|-----------------|----------------|
| 1 | 1020119001 | Antivibration pad | 1 | |
| 2 | 0000023042 | Screw | 2 | |
| 3 | 1020137003 | Linking joint for handle | 1 | |
| 4 | 1020137002 | Head of handle axle | 1 | |
| 5 | 0000023173 | Screw | 2 | |
| 6 | 1020102001 | sliding pin | 2 | |
| 7 | 1020131001 | Spring | 2 | |
| 8 | 1020114001 | Button | 2 | |
| 9 | 0000023174 | Screw | 2 | |
| 10 | 1020101002 | Handle Axle assembly | 1 | |
| 11 | 0000023172 | Screw | 6 | |
| 12 | 0000025001 | Spring washer | 6 | |
| 13 | 0000025011 | Flat washer | 6 | |

Fig 7 Spare parts for chassis

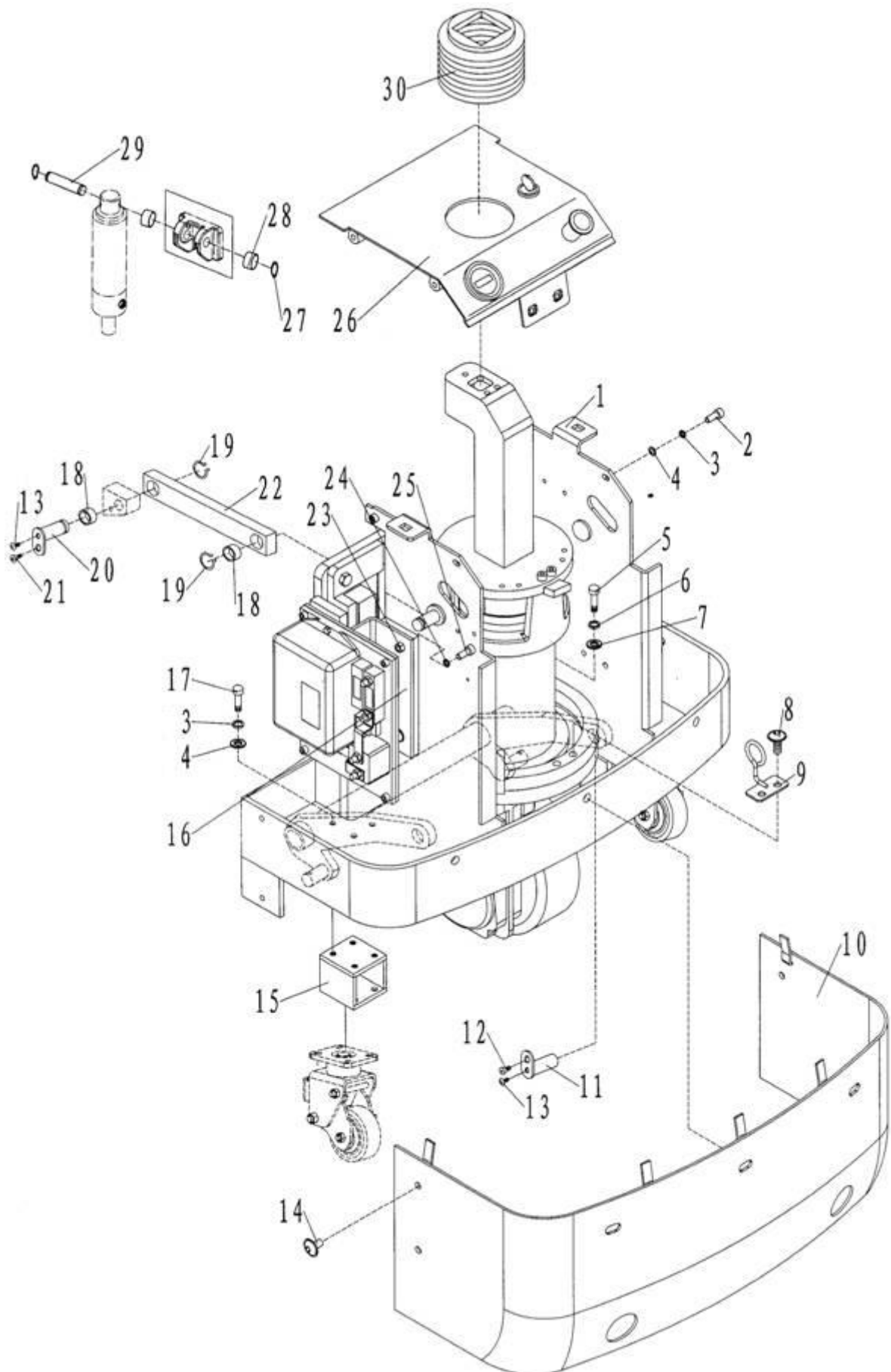


Fig 7 Spare parts for chassis

| No. | Part Number | Item | Quantity | Remarks |
|-----|-------------|--------------------------------|----------|---------------|
| 1 | 1020401005 | distribution box | 1 | 540X85mm |
| 1 | 1020401006 | distribution box | 1 | 685(665)X85mm |
| 1 | 1020401010 | distribution box | 1 | 540X75mm |
| 1 | 1020401011 | distribution box | 1 | 685(620)X75mm |
| 2 | 0000023044 | Screw | 4 | |
| 3 | 0000025001 | Spring washer | 12 | |
| 4 | 0000025011 | Flat washer | 12 | |
| 5 | 0000023171 | Bolt | 4 | |
| 6 | 0000023006 | Spring washer | 4 | |
| 7 | 0000025002 | Flat washer | 4 | |
| 8 | 1000423003 | Screw | 2 | |
| 9 | 1020202001 | Wiring holder | 1 | |
| 10 | 1020401008 | coaming | 1 | |
| 11 | 1000401010 | Fixed axle assembly | 2 | |
| 12 | 0000023042 | Screw | 2 | |
| 13 | 0000023027 | set screw | 4 | |
| 14 | 1010423001 | Screw | 4 | |
| 15 | 1020401004 | Load roller motherboard | 2 | |
| 16 | 2040401003 | Controller motherboard | 1 | |
| 17 | 0000023047 | Screw | 8 | |
| 18 | 1000413001 | Bushing | 4 | |
| 19 | 0000026001 | Split retaining ring | 4 | |
| 20 | 1020401007 | Fixed axle assembly | 2 | |
| 21 | 1000523002 | Screw | 2 | |
| 22 | 1000404007 | Linking plate | 2 | |
| 23 | 0000024013 | Nut | 2 | |
| 24 | 0000023006 | Spring washer | 2 | |
| 25 | 0000023158 | Screw | 2 | |
| 26 | 1020401009 | Switch board | 1 | |
| 27 | 0000026003 | Spring retaining ring for axle | 2 | |
| 28 | 0000013001 | Bushing | 2 | |
| 29 | 1020407001 | Pin for pump body | 1 | |
| 30 | 1020118001 | Protective bushing | 1 | |

Fig 8 Spare parts for steering wheel

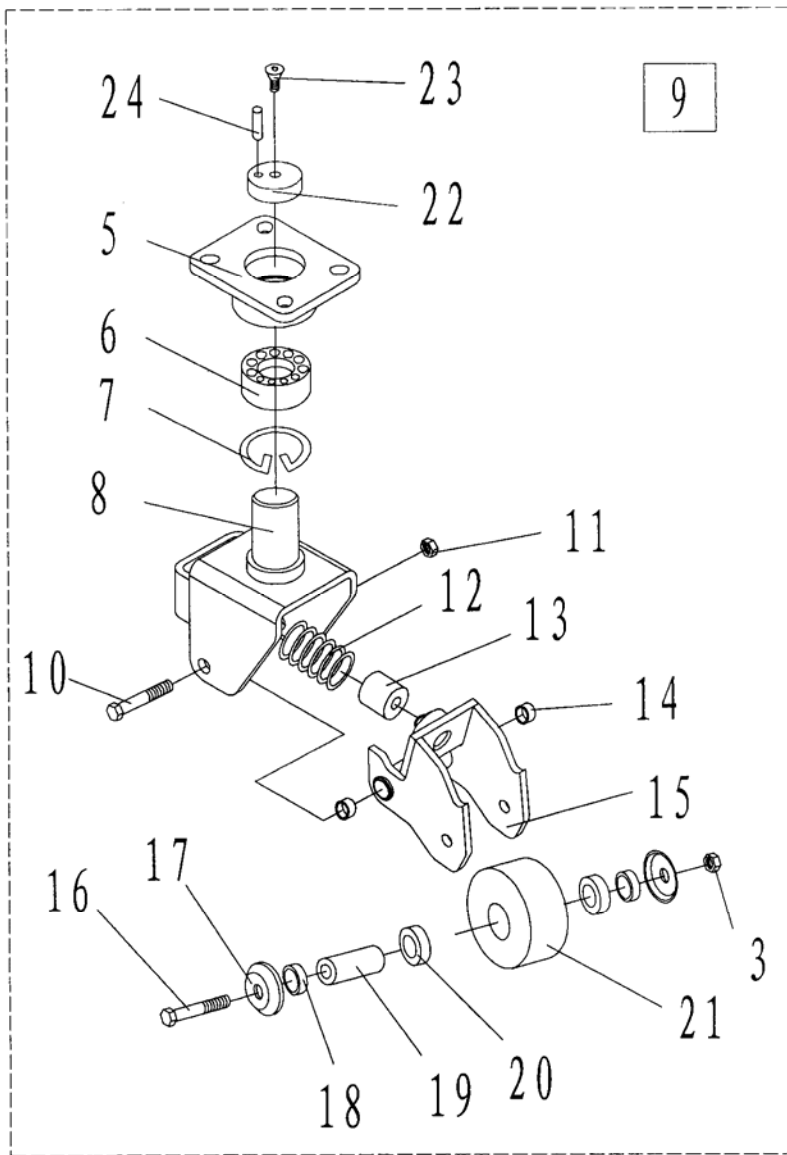
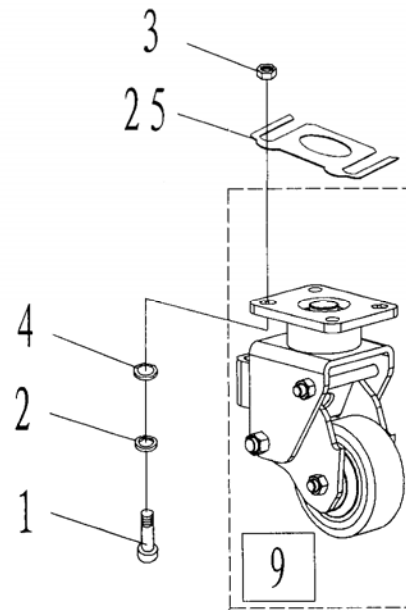


Fig 8 Spare parts for steering wheel

| No. | Part Number | Item | Quantit | Remarks |
|-----|-------------|--------------------------|---------|---------|
| 1 | 0000023025 | Screw | 8 | |
| 2 | 0000023006 | Spring washer | 8 | |
| 3 | 0000023005 | Locking nut | 10 | |
| 4 | 0000025002 | Flat washer | 8 | |
| 5 | 1000401007 | Linking plate | 2 | |
| 6 | 0000027002 | Bearing | 2 | |
| 7 | 0000026002 | Retaining ring for hole | 2 | |
| 8 | 1000401006 | Steering wheel carrier | 2 | |
| 9 | | | | |
| 10 | 1000423004 | Bolt | 2 | |
| 11 | 0000024006 | Locking nut | 2 | |
| 12 | 1000431001 | Spring | 2 | |
| 13 | 1000419001 | Polyurethane spring | 2 | |
| 14 | 1000413002 | Bushing | 4 | |
| 15 | 1000401008 | Rotating arm | 2 | |
| 16 | 0000023035 | Bolt | 2 | |
| 17 | 1000404023 | Dust cover | 4 | |
| 18 | 1000425003 | Washer | 4 | |
| 19 | 1000402005 | Shaft sleeve | 2 | |
| 20 | 0000027001 | Bearing | 4 | |
| 21 | 1000403008 | Steering wheel | 2 | |
| 22 | 1000426001 | Shaft end retaining ring | 2 | |
| 23 | 1000523002 | Screw | 2 | |
| 24 | 0000028004 | Cylindrical pin | 2 | |
| 25 | 1000404031 | Adjusting washer (1mm) | N | |
| | 1000404032 | Adjusting washer (0.5mm) | N | |
| 9 | 1000400005 | Steering wheel assembly | 2 | |

Fig 9 Spare parts for distribution box

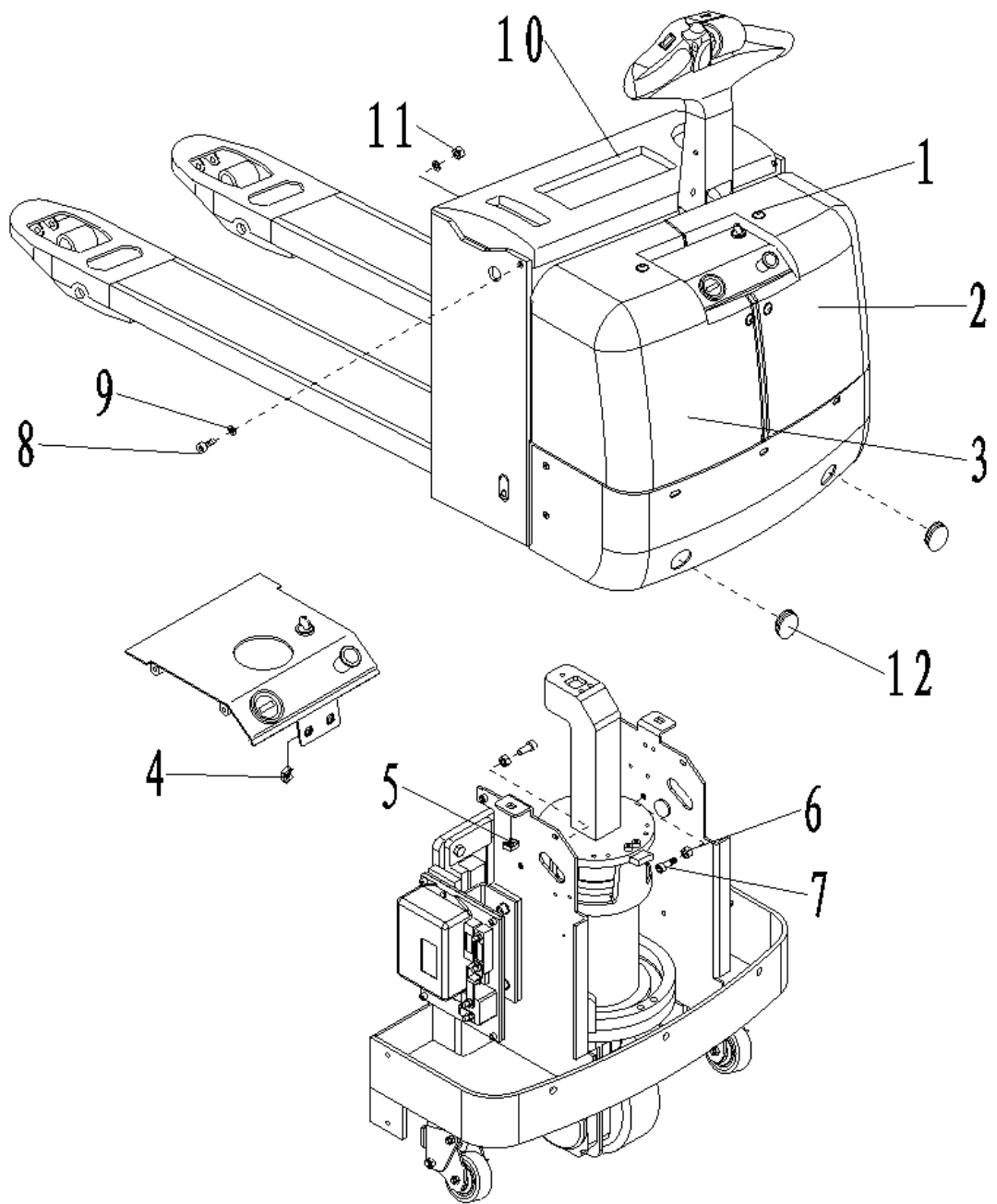


Fig 9 Spare parts for distribution box

| No. | Part Number | Item | Quantity | Remarks |
|------------|--------------------|---------------------------|-----------------|----------------|
| 1 | 1000423001 | Screw with washer | 4 | |
| 2 | 2000403003 | Right cover | 1 | |
| 3 | 2000403002 | Left cover | 1 | |
| 4 | 1000424001 | Flexible nut | 2 | |
| 5 | 2040424001 | Flexible nut | 2 | |
| 6 | 0000024013 | Nut | 2 | |
| 7 | 0000023025 | Screw | 2 | |
| 8 | 0000023076 | Screw | 2 | |
| 9 | 0000025014 | Flat washer | 4 | |
| 10 | 1020503001 | Cover of distribution box | 1 | |
| 11 | 0000024007 | Locking nut | 2 | |
| 12 | 1020418001 | Sheath | 2 | |

Fig 10 Spare parts for electricity

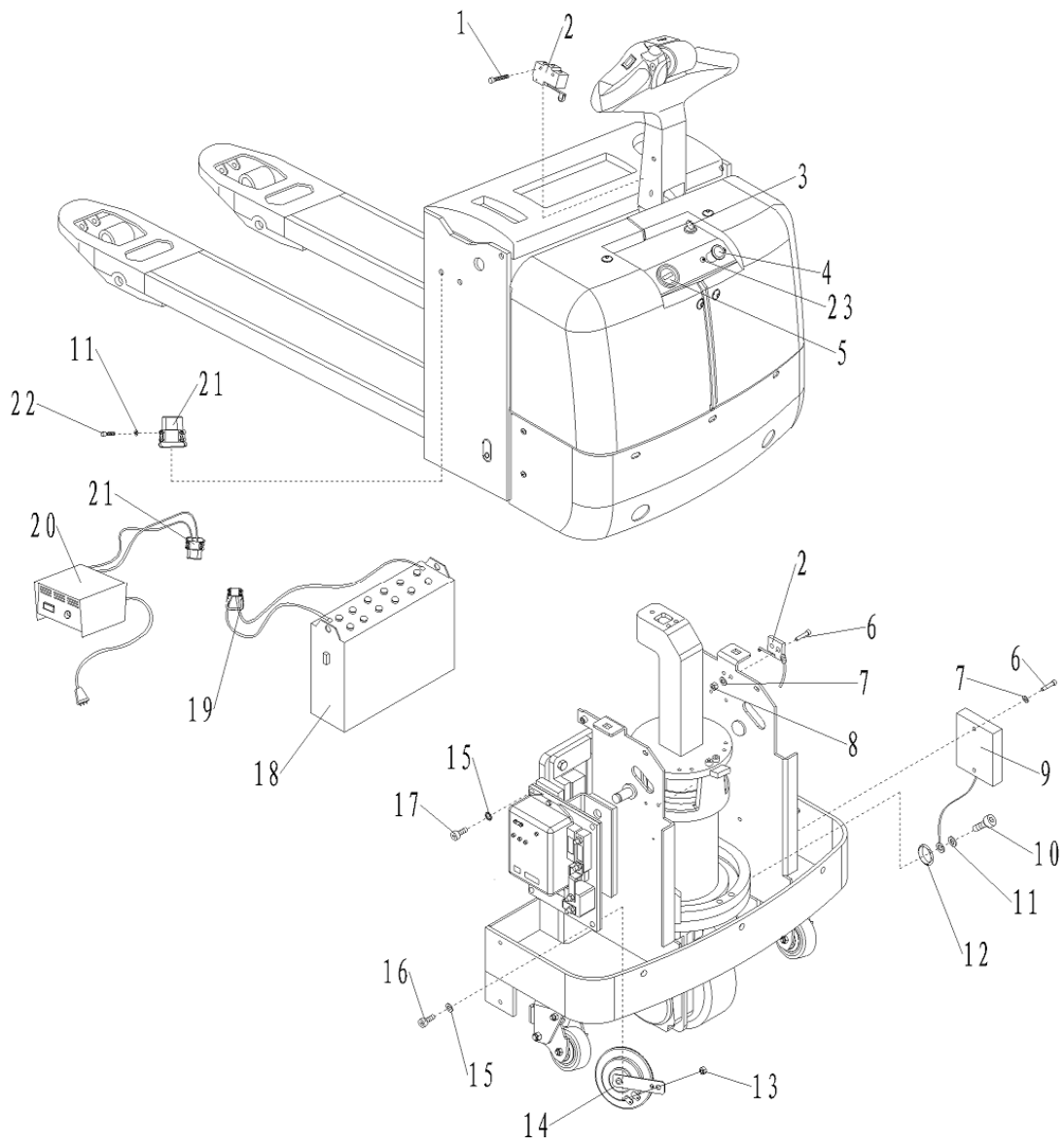


Fig 10 Spare parts for electricity

| No. | Part Number | Item | Quantity | Remarks |
|-----|-------------|--------------------|----------|---------------|
| 1 | 0000023050 | Screw | 2 | |
| 2 | 1000134001 | Micro-switch | 2 | |
| 3 | 1010434002 | Key switch | 1 | |
| 4 | 2240434001 | DC power switch | 1 | |
| 5 | 1000434025 | Battery indicator | 1 | |
| 6 | 0000023041 | Screw | 4 | |
| 7 | 0000025019 | Flat washer | 4 | |
| 8 | 0000024004 | Locking nut | 2 | |
| 9 | 1020434005 | Discharging module | 1 | LPT22AC |
| 10 | 0000023042 | Screw | 1 | LPT22AC |
| 11 | 0000023055 | Flat washer | 3 | LPT22AC |
| 12 | 1000425002 | Grounding washer | 1 | LPT22AC |
| 13 | 0000024003 | Nut | 1 | |
| 14 | 1000434015 | Horn | 1 | |
| 15 | 0000025001 | Spring washer | 4 | |
| 16 | 0000023047 | Screw | 1 | |
| 17 | 0000023067 | Screw | 3 | |
| 18 | 2000400001 | Battery | 1 | Welding |
| | 2000400002 | Battery | 1 | Removable |
| 19 | 2000434002 | Socket | 1 | |
| 20 | 1020400006 | Charger 24V/30A | 1 | Asian Chinese |
| | 1020400007 | Charger 24V/30A | 1 | Asian English |
| | 1020400008 | Charger 24V/30A | 1 | European |
| | 1020400009 | Charger 24V/30A | 1 | American |
| | 1020400010 | Charger 24V/30A | 1 | Australian |
| | 1020400011 | Charger 24V/30A | 1 | British |
| 21 | 2000434001 | Plug | 2 | |
| 22 | 0000023177 | Screw | 2 | |
| 23 | 0000023126 | Screw | 2 | |

Fig 11 Linking parts for electricity for Noblelift handle and REMA handle

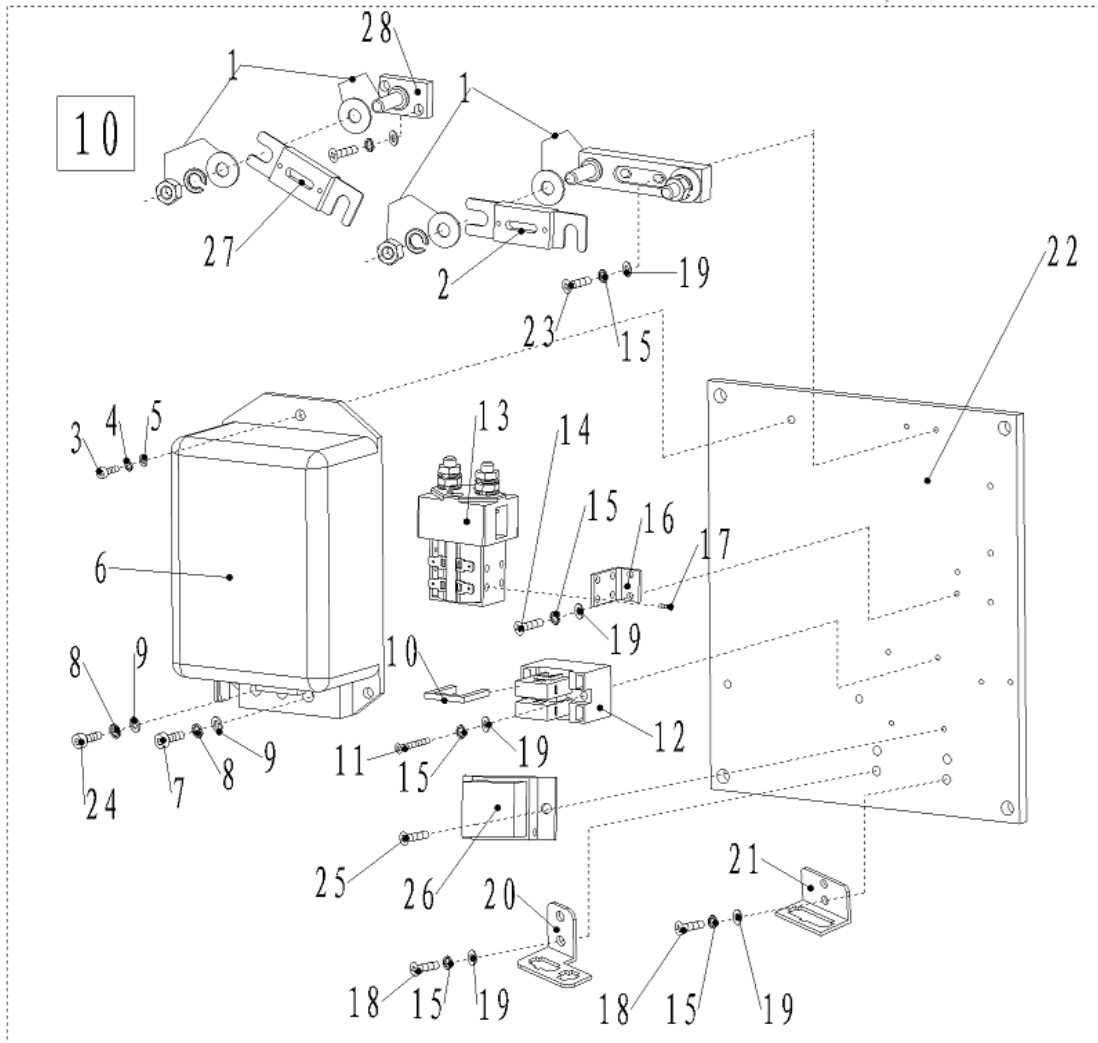


Fig 11 Linking parts for electricity for Noblelift handle and REMA handle

| No. | Part Number | Item | Quantity | Remarks |
|-----|-------------|--------------------------|----------|---------|
| 1 | 1000434007 | Fuse seat | 1 | |
| 2 | 2210434003 | Fuse 130A | 1 | |
| 3 | 0000023040 | Screw | 3 | |
| 4 | 0000025006 | Spring washer | 3 | |
| 5 | 0000025007 | Flat washer | 3 | |
| 6 | 1000434002 | Controller 1243-4220 | 1 | |
| 7 | 0000023012 | Screw | 2 | |
| 8 | 0000025004 | Spring washer | 3 | |
| 9 | 0000025005 | Flat washer | 3 | |
| 10 | 1000434040 | Fuse 10A | 1 | |
| 11 | 0000023019 | Screw | 2 | |
| 12 | 1000434009 | Fuse seat | 1 | |
| 13 | 1000434006 | Contactor | 1 | |
| 14 | 0000023016 | Screw | 4 | |
| 15 | 0000025009 | Spring | 12 | |
| 16 | 1000404022 | Main contactor holder | 1 | |
| 17 | 0000023017 | Screw | 2 | |
| 18 | 0000023023 | Screw | 4 | |
| 19 | 0000025008 | Flat washer | 12 | |
| 20 | 1000404005 | Contactor fixed support | 1 | |
| 21 | 1000404006 | Contactor fixed support | 1 | |
| 22 | 1020404001 | aluminium plate | 1 | |
| 23 | 0000023018 | Screw | 2 | |
| 24 | 0000023013 | Screw | 1 | |
| 25 | 0000023052 | Screw | 2 | |
| 31 | 1000434003 | Controller board | 1 | |
| 32 | 1010434005 | Fuse 80A | 1 | |
| 33 | 1020434002 | M8 wiring pole | 1 | |
| 10 | 1020400013 | Controller assembly (DC) | 1 | |

Fig 12 Linking parts for electricity for CANBUS handle

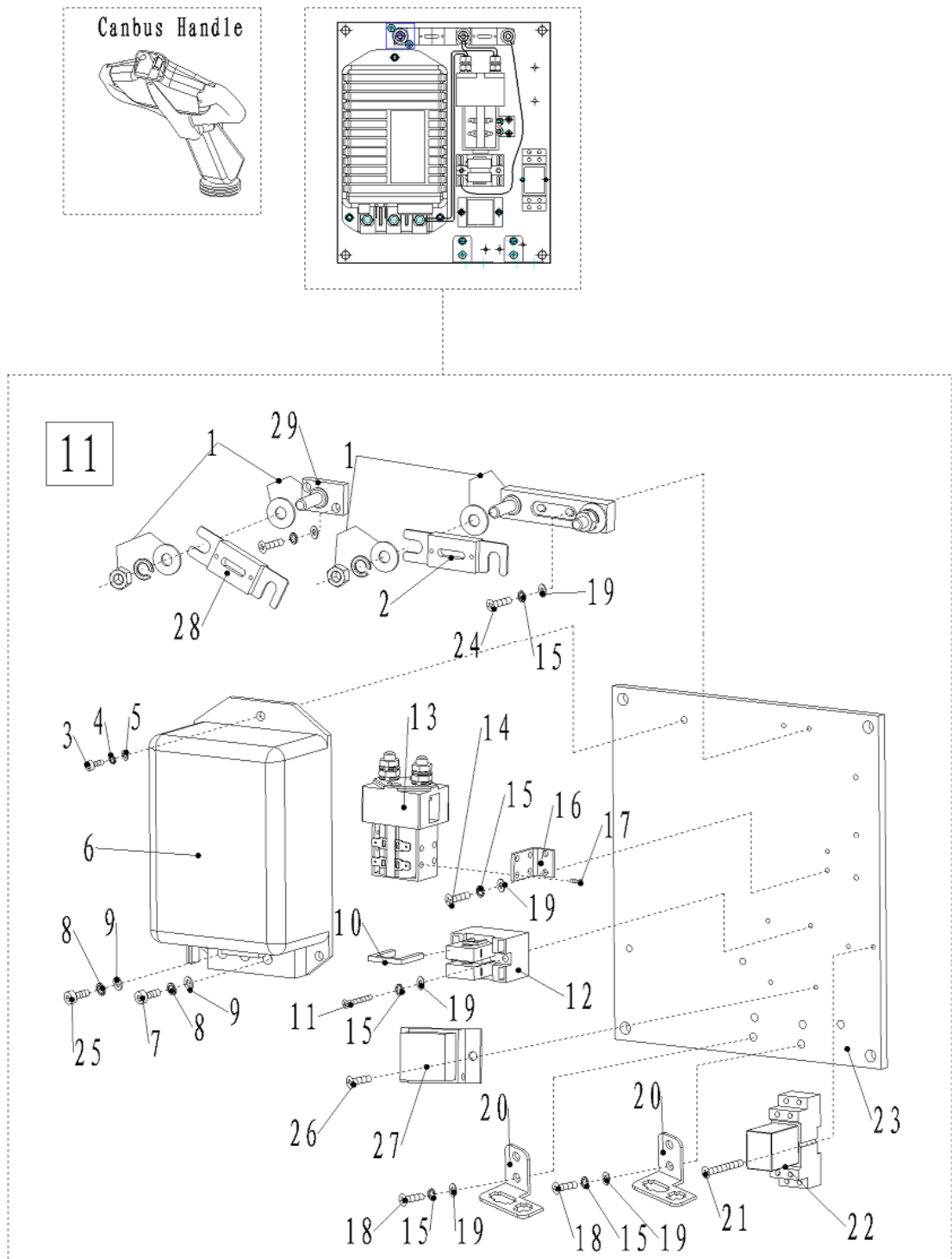


Fig 12 Linking parts for electricity for CANBUS handle

| No. | Part Number | Item | Quantity | Remarks |
|-----|-------------|----------------------------|----------|---------|
| 1 | 1000434007 | Fuse seat | 1 | |
| 2 | 2210434003 | Fuse130A | 1 | |
| 3 | 0000023040 | Screw | 3 | |
| 4 | 0000025006 | Spring washer | 3 | |
| 5 | 0000025007 | Flat washer | 3 | |
| 6 | 1000434010 | Controller 1243C-4381 | 1 | |
| 7 | 0000023012 | Screw | 2 | |
| 8 | 0000025004 | Spring washer | 3 | |
| 9 | 0000025005 | Flat washer | 3 | |
| 10 | 1000434040 | Fuse 10A | 1 | |
| 11 | 0000023019 | Screw | 2 | |
| 12 | 1000434009 | Fuse seat | 1 | |
| 13 | 1000434006 | Main contactor | 1 | |
| 14 | 0000023016 | Screw | 4 | |
| 15 | 0000025009 | Spring washer | 12 | |
| 16 | 1000404022 | Main contactor holder | 1 | |
| 17 | 0000023017 | Screw | 2 | |
| 18 | 0000023023 | Screw | 4 | |
| 19 | 0000025008 | Flat washer | 12 | |
| 20 | 1000404005 | socket connector holder | 2 | |
| 21 | 0000023054 | Screw | 2 | |
| 22 | 1000434014 | Relay | 1 | |
| 23 | 1020404001 | aluminium plate | 1 | |
| 24 | 0000023018 | Screw | 2 | |
| 25 | 0000023013 | Screw | 1 | |
| 26 | 0000023052 | Screw | 2 | |
| 27 | 1000434003 | Protective module | 1 | |
| 28 | 1010434005 | Fuse 80A | 1 | |
| 29 | 1020434002 | M8 wiring pole | 1 | |
| 11 | 1020400014 | Controller assembly (DC-C) | 1 | |

Fig 13 Linking parts for electricity for NOBLELIFT handle and REMA handle for LPT22

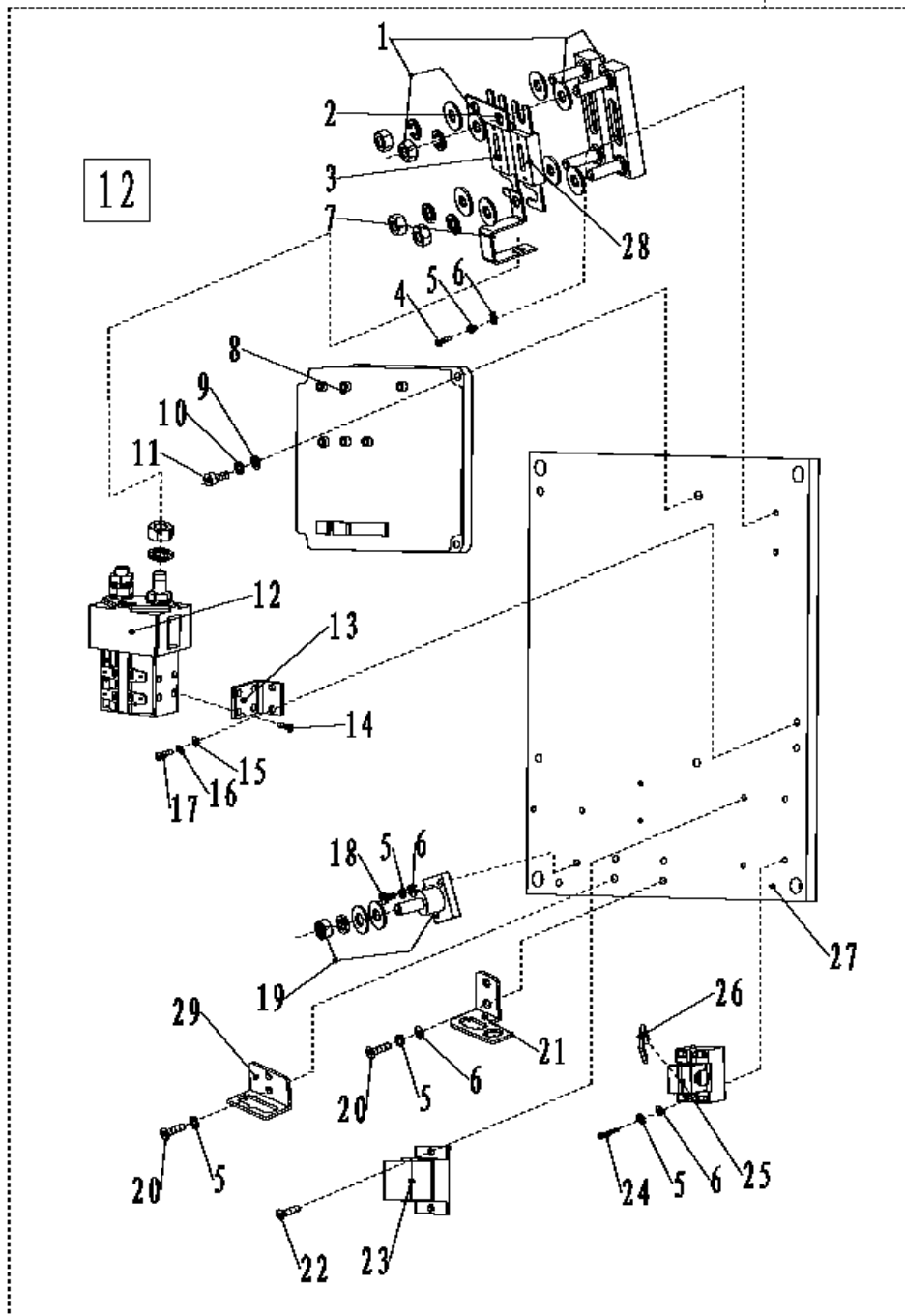
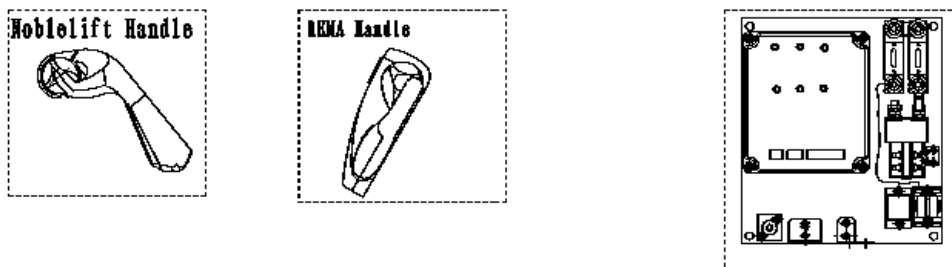


Fig 13 Linking parts for electricity for NOBLELIFT handle and REMA handle for LPT22

| No. | Part Number | Item | Quantity | Remarks |
|-----|-------------|--------------------------|----------|---------|
| 1 | 1000434007 | Fuse holder | 2 | |
| 2 | 1020434003 | Copper Bar I | 1 | |
| 3 | 1010434005 | Fuse 80A | 1 | |
| 4 | 0000023018 | Screw | 4 | |
| 5 | 0000025009 | Spring washer | 12 | |
| 6 | 0000025008 | Flat washer | 10 | |
| 7 | 1020434004 | Copper Bar II | 1 | |
| 8 | 1000434017 | Controller 1230-2402 | 1 | |
| 9 | 0000025007 | Flat washer | 4 | |
| 10 | 0000025006 | Spring washer | 4 | |
| 11 | 0000023020 | Screw | 4 | |
| 12 | 1000434006 | Contactor | 1 | |
| 13 | 1000404022 | Main contactor holder | 1 | |
| 14 | 0000023017 | Screw | 2 | |
| 15 | 0000023032 | Flat washer | 2 | |
| 16 | 0000025012 | Spring washer | 2 | |
| 17 | 0000023072 | Screw | 2 | |
| 18 | 0000023016 | Screw | 2 | |
| 19 | 1020434002 | M8 wiring pole | 1 | |
| 20 | 0000023023 | Screw | 4 | |
| 21 | 1000404005 | Connector fixing plate | 1 | |
| 22 | 0000023052 | Screw | 2 | |
| 23 | 1000434003 | Protective module | 1 | |
| 24 | 0000023019 | Screw | 2 | |
| 25 | 1000434009 | Fuse holder | 1 | |
| 26 | 1000434040 | Fuse 10A | 1 | |
| 27 | 1020404002 | aluminium plate | 1 | |
| 28 | 2210434004 | Fuse 150A | 1 | |
| 29 | 1000404006 | Contactor fixed support | 1 | |
| 12 | 1020400015 | Controller assembly (AC) | 1 | |

Fig 14 Linking parts for electricity for CANBUS handle for LPT22

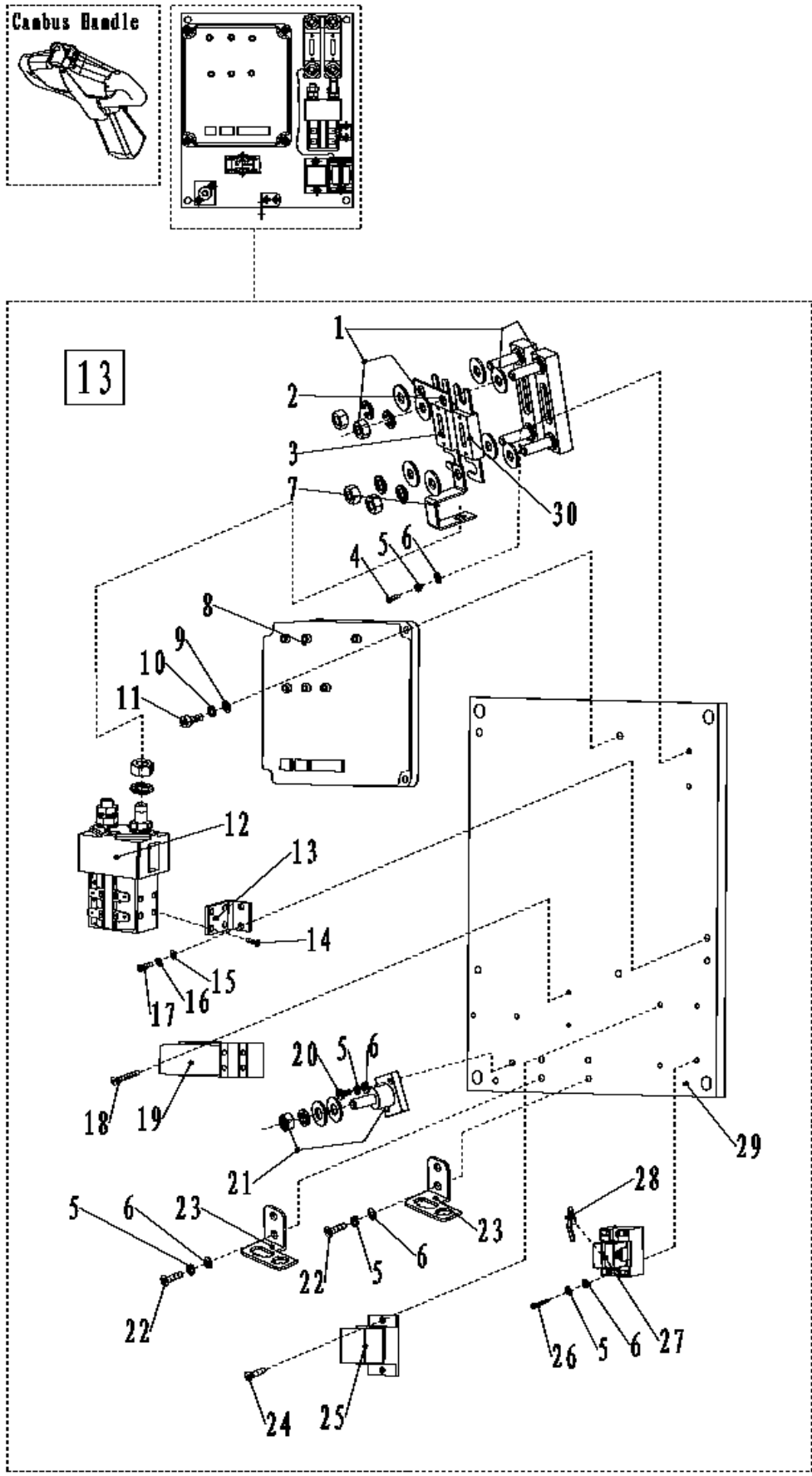


Fig 14 Linking parts for electricity for CANBUS handle for LPT22

| No. | Part Number | Item | Quantity | Remarks |
|-----|-------------|----------------------------|----------|---------|
| 1 | 1000434007 | Fuse holder | 2 | |
| 2 | 1020434003 | Copper Bar I | 1 | |
| 3 | 1010434005 | Fuse 80A | 1 | |
| 4 | 0000023018 | Screw | 4 | |
| 5 | 0000025009 | Spring washer | 12 | |
| 6 | 0000025008 | Flat washer | 12 | |
| 7 | 1020434004 | Copper Bar II | 1 | |
| 8 | 1000434022 | Controller 1230C-2405 | 1 | |
| 9 | 0000025007 | Flat washer | 4 | |
| 10 | 0000025006 | Spring washer | 4 | |
| 11 | 0000023020 | Screw | 4 | |
| 12 | 1000434006 | Contacto | 1 | |
| 13 | 1000404022 | Main contacto holder | 1 | |
| 14 | 0000023017 | Screw | 2 | |
| 15 | 0000023032 | Flat washer | 2 | |
| 16 | 0000025012 | Spring washer | 2 | |
| 17 | 0000023072 | Screw | 2 | |
| 18 | 0000023054 | Screw | 2 | |
| 19 | 1000434014 | Relay | 1 | |
| 20 | 0000023016 | Screw | 2 | |
| 21 | 1020434002 | M8 wiring pole | 1 | |
| 22 | 0000023023 | Screw | 4 | |
| 23 | 1000404005 | Connector fixing plate | 2 | |
| 24 | 0000023052 | Screw | 2 | |
| 25 | 1000434003 | Protective module | 1 | |
| 26 | 0000023019 | Screw | 2 | |
| 27 | 1000434009 | Fuse holder | 1 | |
| 28 | 1000434040 | Fuse 10A | 1 | |
| 29 | 1020404002 | aluminium plate | 1 | |
| 30 | 2210434004 | Fuse 150A | 1 | |
| 13 | 1020400016 | Controller assembly (AC-C) | 1 | |

Fig 15 Spare parts for Pump

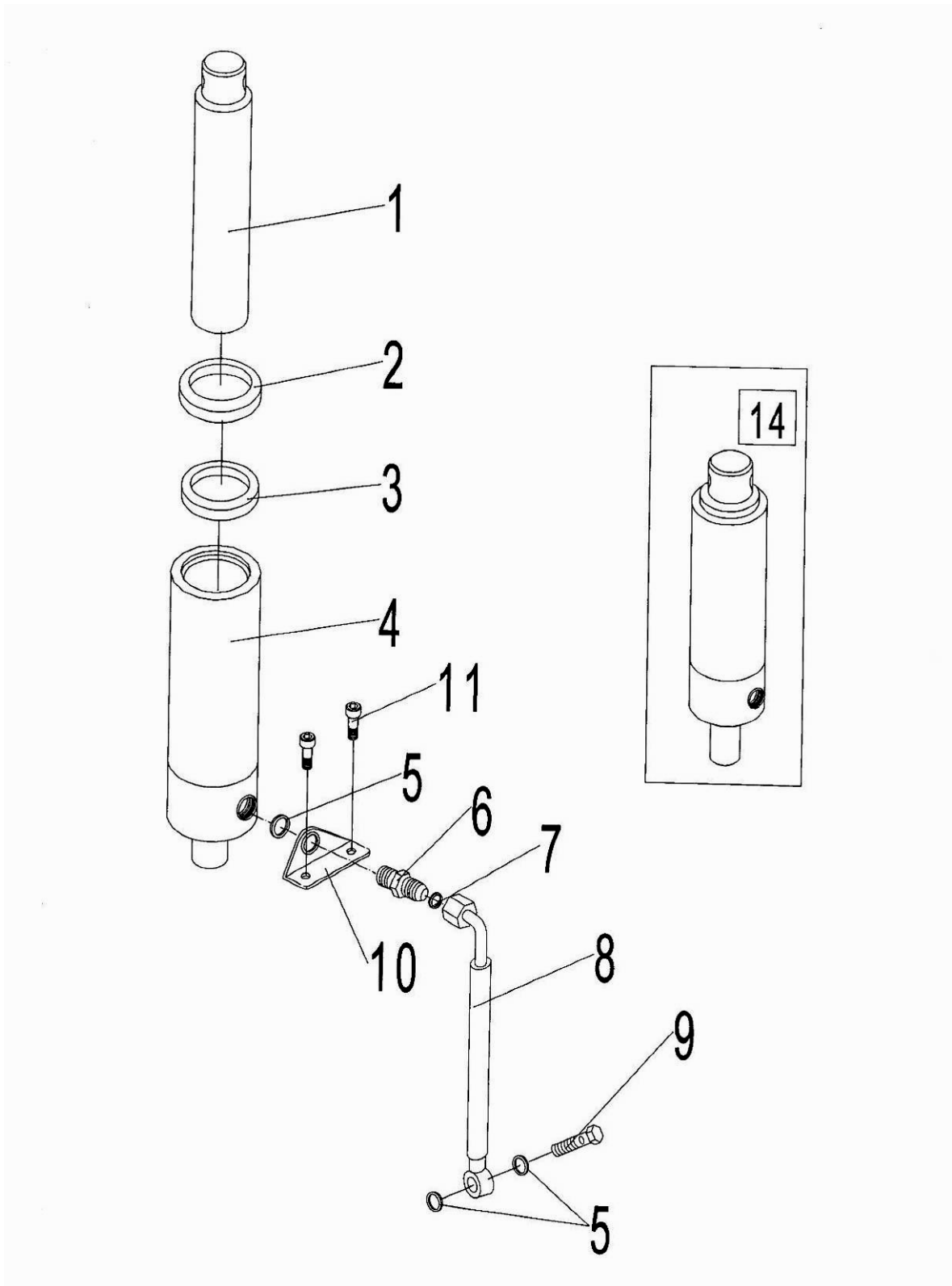


Fig 15 Spare parts for Pump

| No. | Part Number | Item | Quantity | Remarks |
|------------|--------------------|------------------------|-----------------|----------------|
| 1 | 1020300003 | Piston rod | 1 | |
| 2 | 0000022031 | Dust ring | 1 | |
| 3 | 0000022112 | Seal ring for shaft | 1 | |
| 4 | 1020301001 | Pump body | 1 | |
| 5 | 0000022005 | Seal washer | 3 | |
| 6 | 1000317002 | Joint | 1 | |
| 7 | 0000022002 | O-ring | 2 | |
| 8 | 1020317001 | High pressure oil tube | 1 | |
| 9 | 1020317002 | Bolt | 1 | |
| 10 | 1020404005 | Pump fixing frame | 1 | |
| 11 | 0000023053 | Screw | 2 | |
| 14 | 1020300001 | Pump assembly | 1 | |

Fig 16 Spare parts for Pump station

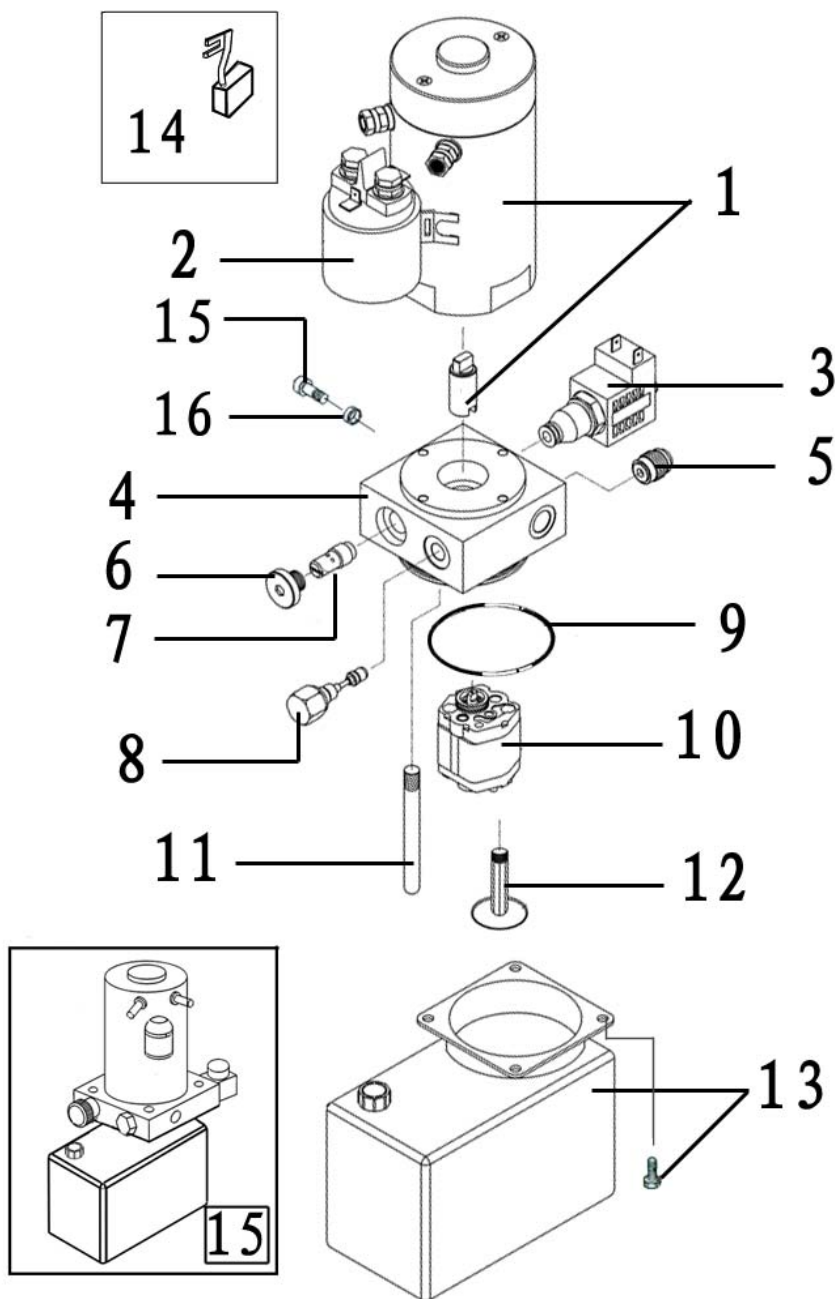


Fig 16 Spare parts for Pump station

| No. | Part Number | Item | Quantity | Remarks |
|-----|-------------|---------------------------|----------|---------|
| 1 | 1020334001 | Motor | 1 | |
| 2 | 1020334002 | Starter relay | 1 | |
| 3 | 1020334003 | Solenoid valve | 1 | |
| 4 | 1020315001 | Pump body | 1 | |
| 5 | 1020337001 | Check valve | 1 | |
| 6 | 1020323001 | Screw plug | 1 | |
| 7 | 1020337002 | Flow control valve | 1 | |
| 8 | 1020337003 | Overflow valve | 1 | |
| 9 | 1020322001 | O-ring | 1 | |
| 10 | 1020337004 | Gear pump | 1 | |
| 11 | 1020317003 | Oil return tube | 1 | |
| 12 | 1020317004 | Oil suction tube assembly | 1 | |
| 13 | 1020337005 | Oil tank assembly | 1 | |
| 14 | 1020337006 | Carbon brush assembly | 1 | |
| 15 | 0000023180 | Bolt | 2 | |
| 16 | 1020402001 | space ring | 2 | |
| 15 | 1020300002 | Pump station assembly | 1 | |

Fig. 17 Spare parts for Noblelift handle

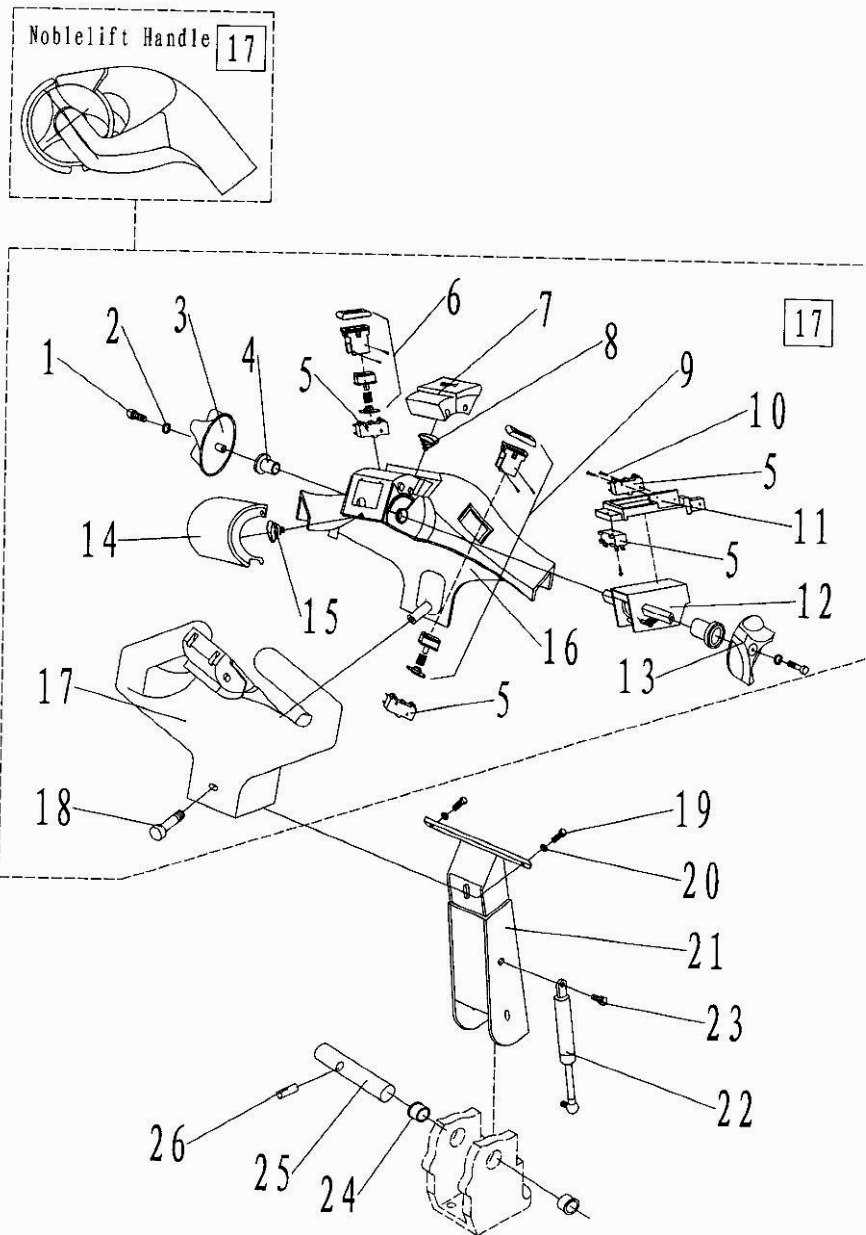


Fig 17 Spare parts for Noblelift handle

| No. | Part Number | Item | Quantity | Remarks |
|-----|-------------|------------------------------|----------|---------|
| 1 | 0000023008 | Screw | 2 | |
| 2 | 0000025003 | Spring washer | 2 | |
| 3 | 1000114004 | Left driving knob | 1 | |
| 4 | 1000113002 | Shaft sleeve | 2 | |
| 5 | 1000134002 | Micro-switch | 4 | |
| 6 | 1000100015 | Lifting button assembly | 1 | |
| 7 | 1000114001 | Horn button | 1 | |
| 8 | 1000131001 | Horn button spring | 1 | |
| 9 | 1000100016 | Lifting button assembly | 1 | |
| 10 | 0000023009 | Screw | 8 | |
| 11 | 1000103004 | Layer board | 1 | |
| 12 | 1000134003 | Accelerator | 1 | |
| 13 | 1000114003 | Right driving knob | 1 | |
| 14 | 1000114002 | Emergency stop button | 1 | |
| 15 | 1000131002 | Emergency stop button spring | 1 | |
| 16 | 1000103001 | Upper part of handle | 1 | |
| 17 | 1000103003 | Handle body | 1 | |
| 18 | 0000023053 | Screw | 3 | |
| 19 | 0000023046 | Bolt | 2 | |
| 20 | 0000025001 | Spring washer | 2 | |
| 21 | 2240101001 | Handle bar assembly | 1 | Normal |
| 21 | 2240101006 | Handle bar assembly (long) | 1 | Long |
| 22 | 2240121001 | Air spring | 1 | Normal |
| 22 | 1000121001 | Air spring | 1 | Long |
| 23 | 1000123001 | Screw | 1 | |
| 24 | 1000113001 | Shoulder harness | 2 | |
| 25 | 1000107001 | Shaft for handle | 1 | |
| 26 | 0000028003 | Elastic pin | 1 | |
| 17 | 1000100008 | Handle assembly | 1 | |

Fig 18 Spare parts for CAN-BUS handle

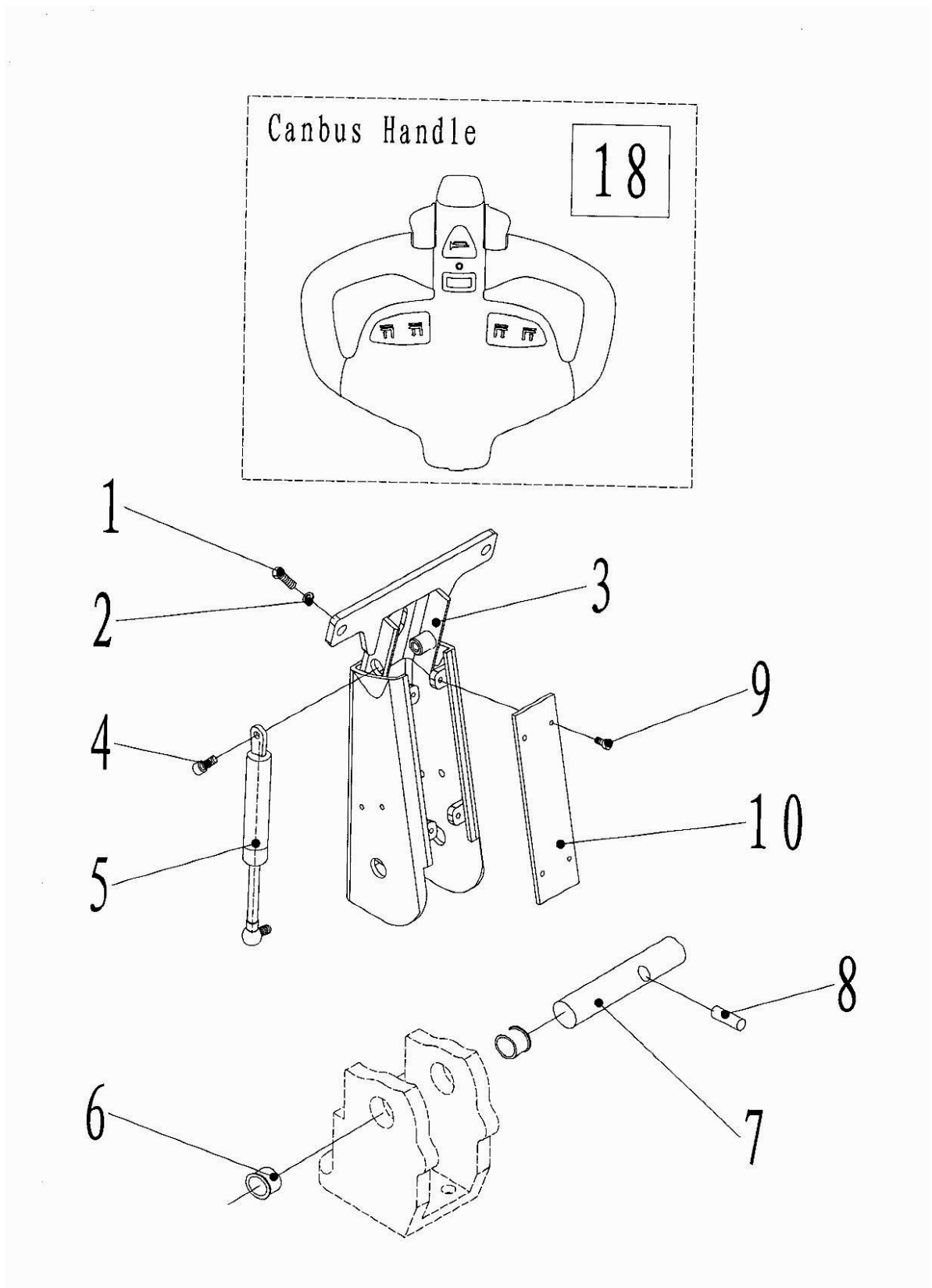


Fig 18 Spare parts for CAN-BUS handle

| No. | Part Number | Item | Quantity | Remarks |
|------------|--------------------|--------------------------|-----------------|----------------|
| 1 | 0000023047 | Screw | 2 | |
| 2 | 0000025001 | Spring washer | 2 | |
| 3 | 2240101002 | Handle bar assembly | 1 | Normal |
| 3 | 2240101003 | Long Handle bar assembly | 1 | Long |
| 4 | 1000123001 | Screw | 1 | |
| 5 | 1000121002 | Air spring | 1 | Normal |
| 5 | 1000121001 | Air spring | 1 | Long |
| 6 | 1000113001 | Shoulder harness | 2 | |
| 7 | 1000107001 | Handle shaft | 1 | |
| 8 | 0000028003 | Elastic pin | 1 | |
| 9 | 1000123003 | Screw | 4 | |
| 10 | 2240102001 | Cover plate | 1 | Normal |
| 10 | 1000104013 | Cover plate | 1 | Long |
| 18 | 1000100009 | New handle knob assembly | 1 | |

Fig 19 Spare parts for CANBUS Hand Knob for CAN-BUS

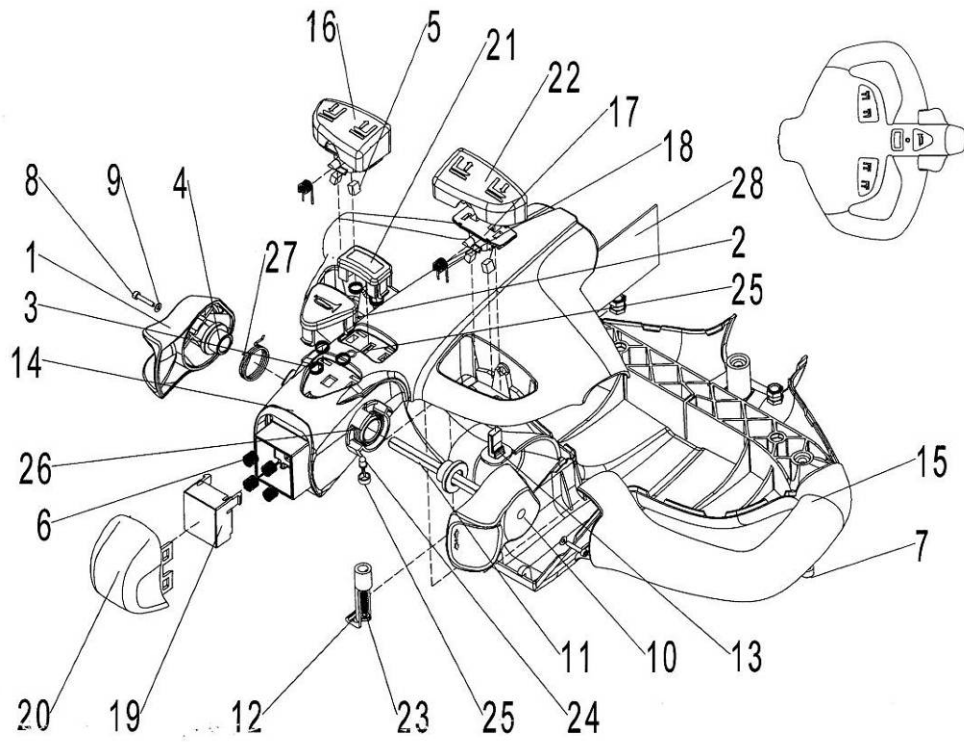


Fig 19 Spare parts for CANBUS Hand Knob for CAN-BUS

| No. | Part Number | Item | Quantity | Remarks |
|-----|-------------|----------------------------|----------|---------|
| 1 | 1000114014 | Left drive knob | 1 | |
| 2 | 1000114015 | Horn button | 1 | |
| 3 | 1000131009 | Horn button spring | 5 | |
| 4 | 1000113004 | Camshaft bush | 2 | |
| 5 | 1000137001 | Magnetic body | 4 | ▲ |
| 6 | 1000131010 | Emergency changeover | 4 | |
| 7 | 0000023058 | Screw | 3 | |
| 8 | 0000023057 | Screw | 2 | |
| 9 | 0000025017 | Flat washer | 2 | |
| 10 | 1000114016 | Right drive knob | 1 | |
| 11 | 1000107002 | Shaft for Right drive knob | 1 | |
| 12 | 1000137002 | PCB clip | 1 | |
| 13 | 1000134005 | Sensor | 2 | |
| 14 | 1000103012 | Upper part of handle | 1 | |
| 15 | 1000103013 | Lower part of handle | 1 | |
| 16 | 1000114017 | Left button | 1 | |
| 17 | 1000137003 | Fixed seat for Magnetic | 2 | |
| 18 | 1000131011 | torsional spring | 2 | |
| 19 | 1000114018 | Emergency changeover | 1 | |
| 20 | 1000114020 | External cover for | 1 | |
| 21 | 1000114021 | External cover for elector | 1 | |
| 22 | 1000114022 | Right button | 1 | |
| 23 | 0000023060 | Screw | 1 | |
| 24 | 1000134006 | LED bi-colour light | 1 | |
| 25 | 1000103014 | LED bi-colour light socket | 1 | |
| 26 | 1000131012 | Right driving knob torsion | 1 | |
| 27 | 1000131013 | Left driving knob torsion | 1 | |
| 28 | 1000134007 | PCB | 1 | |

Remarks: The parts with▲ can not be supplied separately.

Fig 20 Spare parts for REMA handle

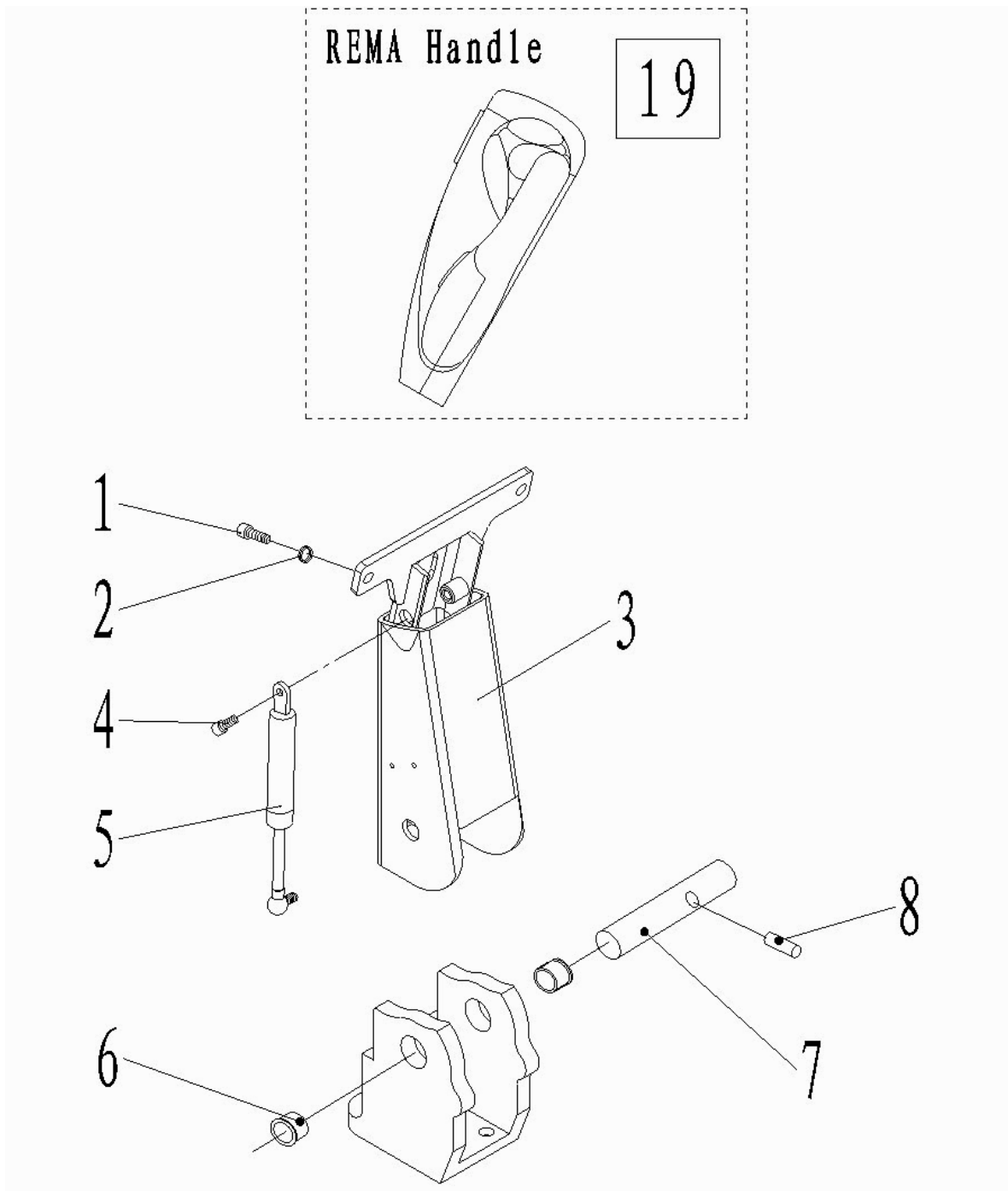


Fig 20 Spare parts for REMA handle

| No. | Part Number | Item | Quantity | Remarks |
|------------|--------------------|---------------------------|-----------------|----------------|
| 1 | 0000023046 | Bolt | 2 | |
| 2 | 0000025001 | Spring washer | 2 | |
| 3 | 2240101005 | Handle bar assembly | 1 | |
| 4 | 1000123002 | Screw | 1 | |
| 5 | 1000121002 | Air spring | 1 | |
| 6 | 1000113001 | Shoulder harness | 2 | |
| 7 | 1000107001 | Handle shaft | 1 | |
| 8 | 0000028003 | Elastic pin | 1 | |
| 19 | 1000100010 | REMA handle Knob assembly | 1 | |

Fig 21 Spare parts for REMA handle Knob

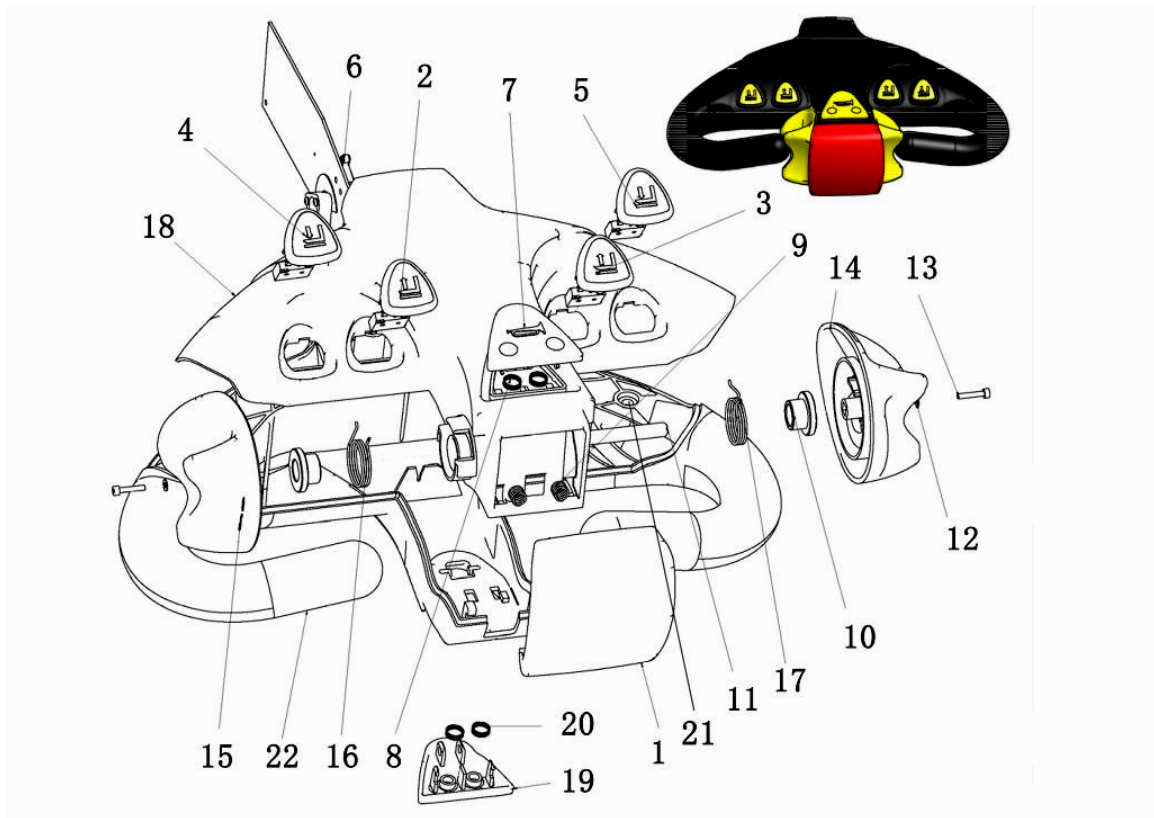


Fig 21 Spare parts for REMA handle Knob

| No. | Part Number | Item | Quantity | Remarks |
|------------|--------------------|--|-----------------|----------------|
| 1 | 1000114019 | Cover for emergency button | 1 | |
| 2 | 1000114007 | Lifting switch assembly (with 2 cores plug-in board) | 1 | |
| 3 | 1000114006 | Lifting switch assembly (with 4 cores plug-in board) | 1 | |
| 4 | 1000114008 | Lowering switch assembly(with 2 cores plug-in board) | 1 | |
| 5 | 1000114009 | Lowering switch assembly(with 4 cores plug-in board) | 1 | |
| 6 | 1000134004 | REMA circuit board | 1 | |
| 7 | 1000114010 | Cover for horn | 1 | |
| 8 | 1000131004 | Horn spring | 2 | |
| 9 | 1000131005 | Emergency switch spring | 2 | |
| 10 | 1000113003 | Pin bushing | 2 | |
| 11 | 1000128001 | Handle Pin | 1 | |
| 12 | 0000025017 | Flat washer | 2 | |
| 13 | 0000023057 | Screw | 2 | |
| 14 | 1000114011 | Right butterfly knob | 1 | |
| 15 | 1000114012 | Left butterfly knob | 1 | |
| 16 | 1000131006 | Left hinge joint spring | 1 | |
| 17 | 1000131007 | Right hinge joint spring | 1 | |
| 18 | 1000103010 | Upper cover | 1 | |
| 19 | 1000114013 | Cover for slow drive switch | 1 | |
| 20 | 1000131008 | Spring | 2 | |
| 21 | 0000023058 | Screw | 3 | |
| 22 | 1000103011 | Down cover | 1 | |

Fig 22 Spare parts for driving wheel (6EL-DC-A)

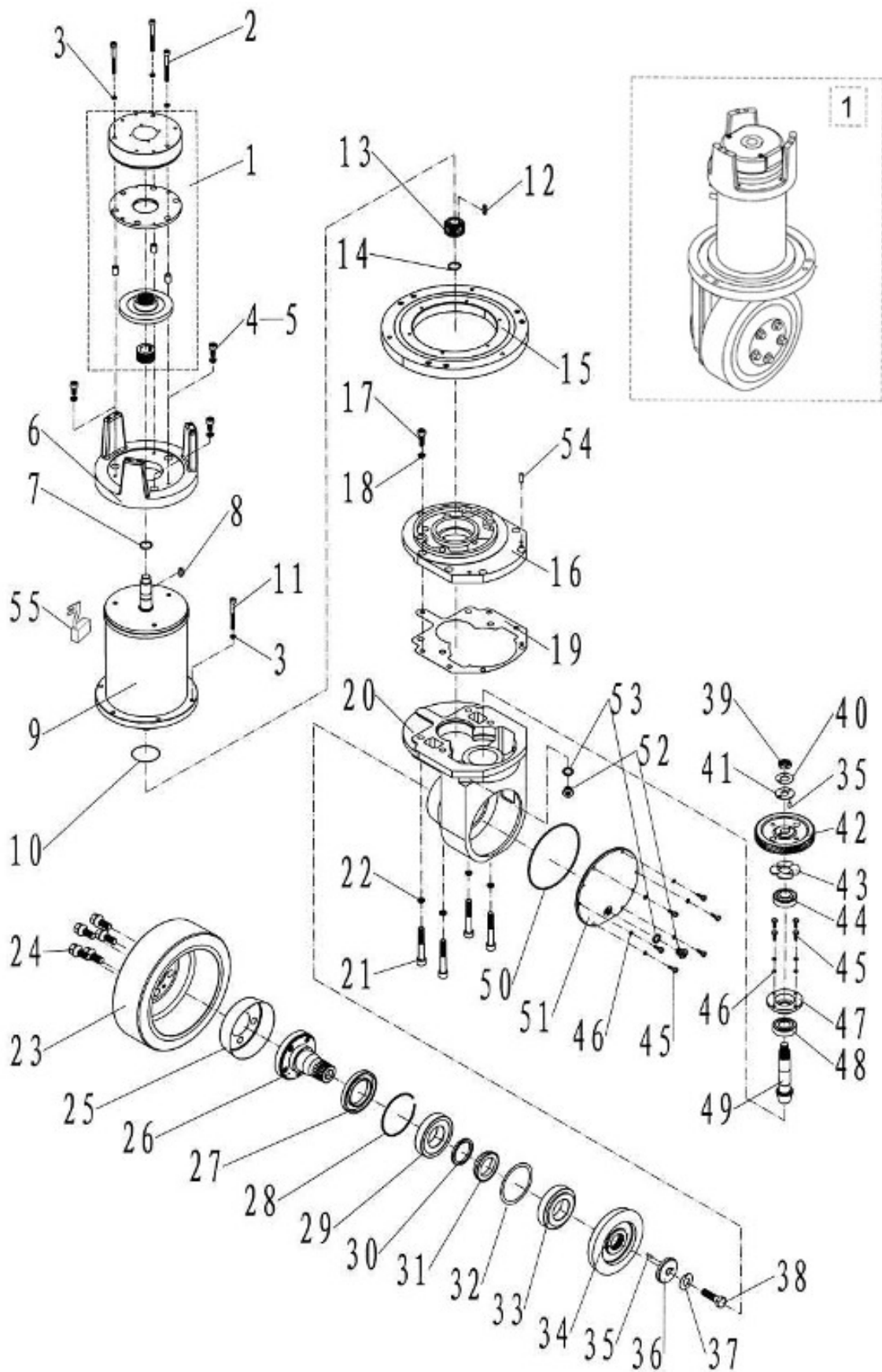


Fig 22 Spare parts for driving wheel (6EL-DC-A)

| No. | Part Number | Item | Quantity | Remarks |
|-----|-------------|-------------------------|----------|---------|
| 1 | 1020237001 | Brake | 1 | |
| 2 | 0000023196 | Bolt | 3 | |
| 3 | 0000025006 | Spring Washer | 9 | |
| 4 | 0000023202 | Screw | 4 | |
| 5 | 0000025004 | Spring washer | 4 | |
| 6 | 1020237002 | Bracket | 1 | |
| 7 | 0000026003 | Retaining ring for axle | 1 | |
| 8 | 0000036003 | Flat pin | 1 | |
| 9 | 1020237003 | Motor | 1 | |
| 10 | 0000022038 | O-ring | 1 | |
| 11 | 0000023193 | Screw | 6 | |
| 12 | 0000036011 | Flat pin | 1 | |
| 13 | 1020237004 | Small gear | 1 | |
| 14 | 0000026019 | Retaining ring for axle | 1 | |
| 15 | 1020237005 | rotation support | 1 | |
| 16 | 1020237006 | Upper cover | 1 | ▲▲▲ |
| 17 | 0000023061 | Screw | 7 | |
| 18 | 0000025004 | Spring washer | 7 | |
| 19 | 1020237007 | Paper washer | 1 | ▲▲▲ |
| 20 | 1020237008 | Box body | 1 | ▲▲▲ |
| 21 | 0000023203 | Screw | 4 | |
| 22 | 0000025065 | Spring washer | 4 | |
| 23 | 1020237009 | Driving wheel | 1 | |
| 24 | 1020237010 | Screw | 5 | |
| 25 | 1020237011 | Dust bushing | 1 | |
| 26 | 1020237012 | Driving shaft | 1 | ▲▲▲ |
| 27 | 1020237026 | Oil seal | 1 | |
| 28 | 1020237013 | Retaining ring | 1 | ▲▲▲ |
| 29 | 0000027032 | Bearing | 1 | |
| 30 | 1020237014 | Bushing | 1 | ▲▲▲ |
| 31 | 1020237015 | Adjusting washer | 1 | ▲▲▲ |
| 32 | 1020237016 | Adjusting washer | 2 | ▲▲▲ |
| 33 | 0000027031 | Bearing | 1 | |

| | | | | |
|----|------------|-------------------------|----|----------|
| 34 | 1020237017 | Gear | 1 | ▲▲▲ |
| 35 | 0000028028 | Round pin | 2 | |
| 36 | 1020237018 | Retaining ring for axle | 1 | ▲▲▲ |
| 37 | 0000025063 | Locking washer | 1 | ▲▲▲ |
| 38 | 0000023190 | Bolt | 1 | |
| 39 | 0000024126 | Nut | 1 | |
| 40 | 0000025066 | Locking washer | 1 | ▲▲▲ |
| 41 | 1020237019 | Washer | 1 | |
| 42 | 1020237024 | Big gear | 1 | ▲▲▲ |
| 43 | 1020237020 | Lubricating ring | 1 | ▲▲▲ |
| 44 | 0000027030 | Bearing | 1 | |
| 45 | 0000023204 | Screw | 10 | |
| 46 | 0000025012 | Spring washer | 10 | |
| 47 | 1020237021 | Bearing holder | 1 | ▲▲▲ |
| 48 | 0000027029 | Bearing | 1 | |
| 49 | 1020237022 | Gear | 1 | ▲▲▲ |
| 50 | 0000022037 | O-ring | 1 | |
| 51 | 1020237023 | Side cover | 1 | ▲▲▲ |
| 52 | 0000023189 | Plug screw | 3 | |
| 53 | 0000022036 | Seal washer | 3 | |
| 54 | 0000028027 | Round pin | 1 | |
| 55 | 1020237025 | Carbon brush for motor | 1 | |
| ① | 1020200003 | DC driving wheel | 1 | 6EL-DC-A |

1. The Item with ▲ is not supplied separately.

2. Gear fittings need to be supplied in pairs.

3. It is recommended to supply the gearbox with ▲▲▲ as a whole assembly.

Fig 23 Spare parts for driving wheel (6EL-DC-JB)

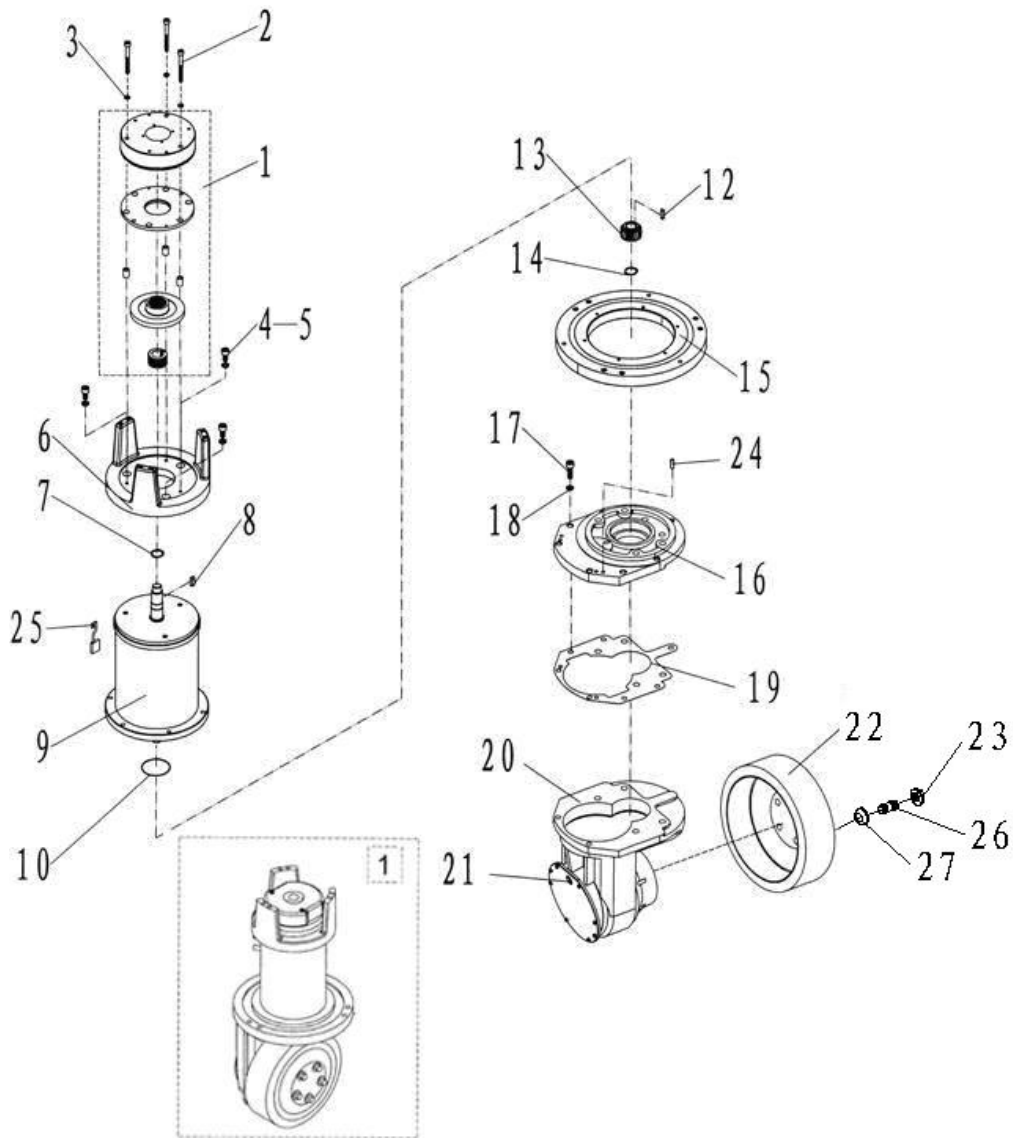


Fig 23 Spare parts for driving wheel (6EL-DC-JB)

| No. | Part Number | Item | Quantity | Remarks |
|-----|-------------|---------------|----------|---------|
| 1 | 1020237001 | Brake | 1 | |
| 2 | 0000023196 | Bolt | 3 | |
| 3 | 0000025006 | Spring washer | 3 | |
| 4 | 0000023202 | Screw | 4 | |
| 5 | 0000025004 | Spring washer | 4 | |

| | | | | |
|----|------------|-------------------------|---|-----------|
| 6 | 1020237002 | Bracket | 1 | |
| 7 | 0000026003 | Retaining ring for axle | 1 | |
| 8 | 0000036003 | Flat pin | 1 | |
| 9 | 1020237027 | Motor | 1 | |
| 10 | 0000022038 | O-ring | 1 | |
| 11 | | | | |
| 12 | 0000036004 | Pin | 1 | |
| 13 | 1020237028 | Small gear | 1 | |
| 14 | 0000026019 | Retaining ring | 1 | |
| 15 | 1020237029 | Rotating support | 1 | |
| 16 | 1020237030 | Upper cover | 1 | ▲▲▲ |
| 17 | 0000023061 | Screw | 8 | ▲▲▲ |
| 18 | 0000025004 | Spring washer | 8 | ▲▲▲ |
| 19 | 1020237031 | Paper washer | 1 | ▲▲▲ |
| 20 | 1020237032 | reduction gearbox | 1 | ▲▲▲ |
| 21 | 0000023206 | Plug screw | 2 | ▲▲▲ |
| 22 | 1020237009 | Driving wheel | 1 | |
| 23 | 9000000241 | Nut | 5 | |
| 24 | 0000028027 | Round pin | 1 | |
| 25 | 1020237025 | Carbon brush for motor | 1 | |
| 26 | 9000000243 | Wheel bolt | 5 | |
| 27 | 9000000242 | Spring clip | 5 | |
| 1 | 1020237035 | DC driving wheel | 1 | 6EL-DC-JB |

1. It is recommended to supply the gearbox with ▲▲▲ as a whole assembly.

Fig 24 Spare parts for driving wheel (7EL-AC-1.5)

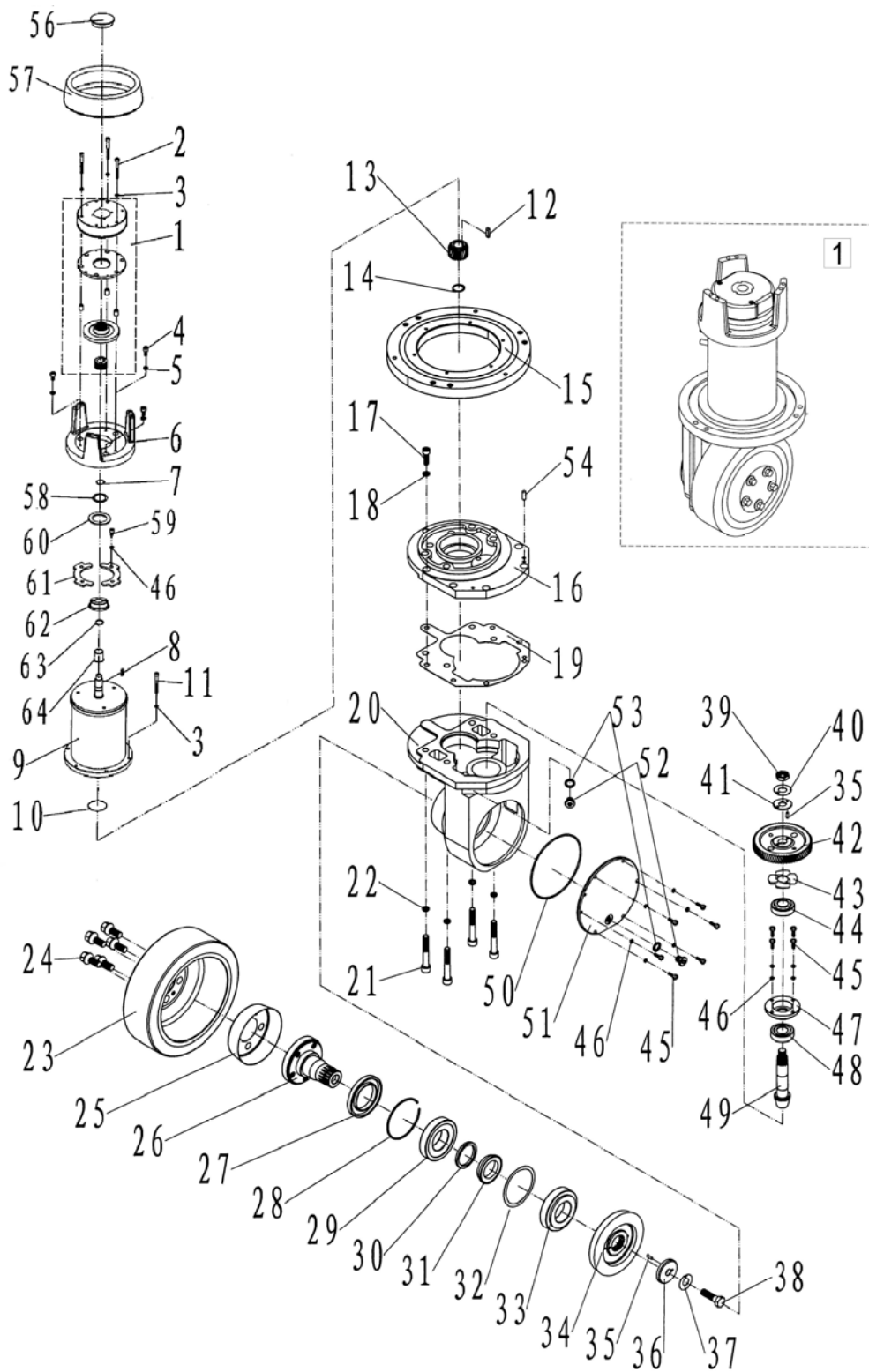


Fig 24 Spare parts for driving wheel (7EL-AC-1.5)

| No. | Part Number | Item | Quantity | Remarks |
|-----|-------------|------------------|----------|--------------|
| 1 | 1020237001 | Brake | 1 | |
| 2 | 0000023196 | Bolt | 3 | |
| 3 | 0000025006 | Spring Washer | 9 | |
| 4 | 0000023061 | Screw | 4 | |
| 5 | 0000025004 | Spring washer | 4 | |
| 6 | 1020237002 | Bracket | 1 | |
| 7 | 0000026003 | Retaining ring | 1 | |
| 8 | 0000036003 | Flat pin | 1 | |
| 9 | 1020200006 | Motor | 1 | |
| 10 | 0000022038 | O-ring | 1 | |
| 11 | 0000023193 | Screw | 6 | |
| 12 | 0000036011 | Flat pin | 1 | |
| 13 | 1020237033 | Pinion | 1 | |
| 14 | 0000026019 | Retaining ring | 1 | |
| 15 | 1020237005 | Pivoting support | 1 | |
| 16 | 1020237006 | Upper cover | 1 | ▲▲▲ |
| 17 | 0000023061 | Screw | 7 | |
| 18 | 0000025004 | Spring washer | 7 | |
| 19 | 1020237007 | Paper pad | 1 | |
| 20 | 1020237008 | Box body | 1 | ▲▲▲ |
| 21 | 0000023203 | Screw | 4 | |
| 22 | 0000025065 | Spring washer | 4 | |
| 23 | 1020237009 | Driving wheel | 1 | |
| 24 | 1020237010 | Screw | 5 | |
| 25 | 1020237011 | Dust bushing | 1 | |
| 26 | 1020237012 | Driving axle | 1 | ▲▲▲ |
| 27 | 1020237026 | Oil seal | 1 | FP-G-50X80X8 |
| 28 | 1020237013 | Retaining ring | 1 | ▲▲▲ |
| 29 | 0000027032 | Bearing | 1 | |
| 30 | 1020237014 | Bushing | 1 | ▲▲▲ |
| 31 | 1020237015 | Adjusting washer | 1 | ▲▲▲ |
| 32 | 1020237016 | Adjusting washer | 2 | ▲▲▲ |
| 33 | 0000027031 | Bearing | 1 | |

| | | | | |
|----|------------|-----------------------|----|------------|
| 34 | 1020237017 | Gear | 1 | ▲▲▲ |
| 35 | 0000028028 | Round pin | 2 | |
| 36 | 1020237018 | Retaining ring | 1 | ▲▲▲ |
| 37 | 0000025063 | Locking washer | 1 | |
| 38 | 0000023190 | Bolt | 1 | |
| 39 | 0000024126 | Nut | 1 | |
| 40 | 0000025066 | Locking washer | 1 | |
| 41 | 1020237019 | Washing | 1 | ▲▲▲ |
| 42 | 1020237034 | Gear | 1 | ▲▲▲ |
| 43 | 1020237020 | Lubricating ring | 1 | ▲▲▲ |
| 44 | 0000027030 | Bearing | 1 | |
| 45 | 0000023204 | Screw | 10 | |
| 46 | 0000025012 | Spring washer | 14 | |
| 47 | 1020237021 | Bearing holder | 1 | ▲▲▲ |
| 48 | 0000027029 | Bearing | 1 | |
| 49 | 1020237022 | Gear | 1 | ▲▲▲ |
| 50 | 0000022037 | O-ring | 1 | |
| 51 | 1020237023 | Side cover | 1 | ▲▲▲ |
| 52 | 0000023189 | Plug screw | 3 | |
| 53 | 0000022036 | Seal washer | 3 | |
| 54 | 0000028027 | Round pin | 1 | |
| 55 | | | | |
| 56 | 1020218001 | Dust cover | 1 | |
| 57 | 1020218002 | Dust bushing | 1 | |
| 58 | 0000022059 | O-ring | 1 | |
| 59 | 0000023311 | Screw | 4 | |
| 60 | 1020218003 | spacer | 1 | |
| 61 | 1020204001 | Pressure plate | 1 | |
| 62 | 1020200005 | Sensor | 1 | |
| 63 | 0000026013 | Spring retaining ring | 1 | |
| 64 | 1020213001 | Axle sleeve | 1 | |
| ① | 1020200001 | AC driving wheel | | 7EL-AC-1.5 |

1. The Item with ▲ is not supplied separately.
2. Gear fittings need to be supplied in pairs.
3. It is recommended to supply the gearbox with ▲▲▲ as a whole assembly.

Option

Fig 25 Foot pedal

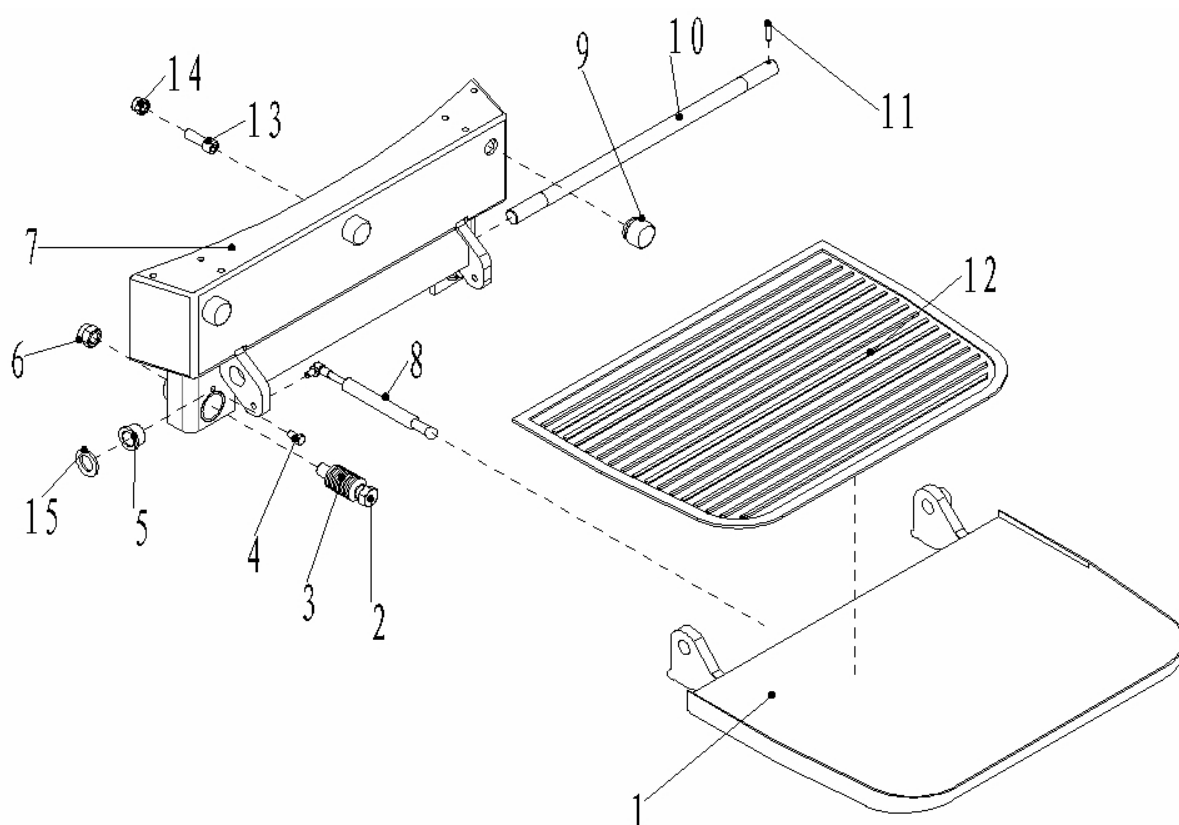


Fig 25 Foot pedal

| No. | Part Number | Item | Quantity | Remarks |
|-----|-------------|-------------------------|----------|------------------|
| 1 | 2000401013 | Pedal | 1 | For normal pedal |
| 1 | 2240401002 | Pedal | 1 | For long pedal |
| 2 | 0000023117 | Bolt | 2 | |
| 3 | 0000031001 | Disc spring | 46 | |
| 4 | 0000023116 | Bolt | 1 | |
| 5 | 2000413003 | Bush | 2 | |
| 6 | 0000024011 | Locking nut | 2 | |
| 7 | 2000401014 | Linking plate | 1 | |
| 8 | 2000421001 | Air spring | 1 | For normal pedal |
| 8 | 2240421001 | Air spring | 1 | For long pedal |
| 9 | 2000418003 | Shake proof jacket | 3 | |
| 10 | 2000407003 | Rotating shaft | 1 | |
| 11 | 0000028016 | Elastic cylindrical pin | 1 | |
| 12 | 2000418002 | Rubber pad | 1 | For normal pedal |
| 12 | 2240418001 | Rubber pad | 1 | For long pedal |
| 13 | 0000023082 | Screw | 3 | |
| 14 | 0000024006 | Nut | 3 | |
| 15 | 0000025031 | Flat washer | N | |

Option

Fig 26 Protective Arm

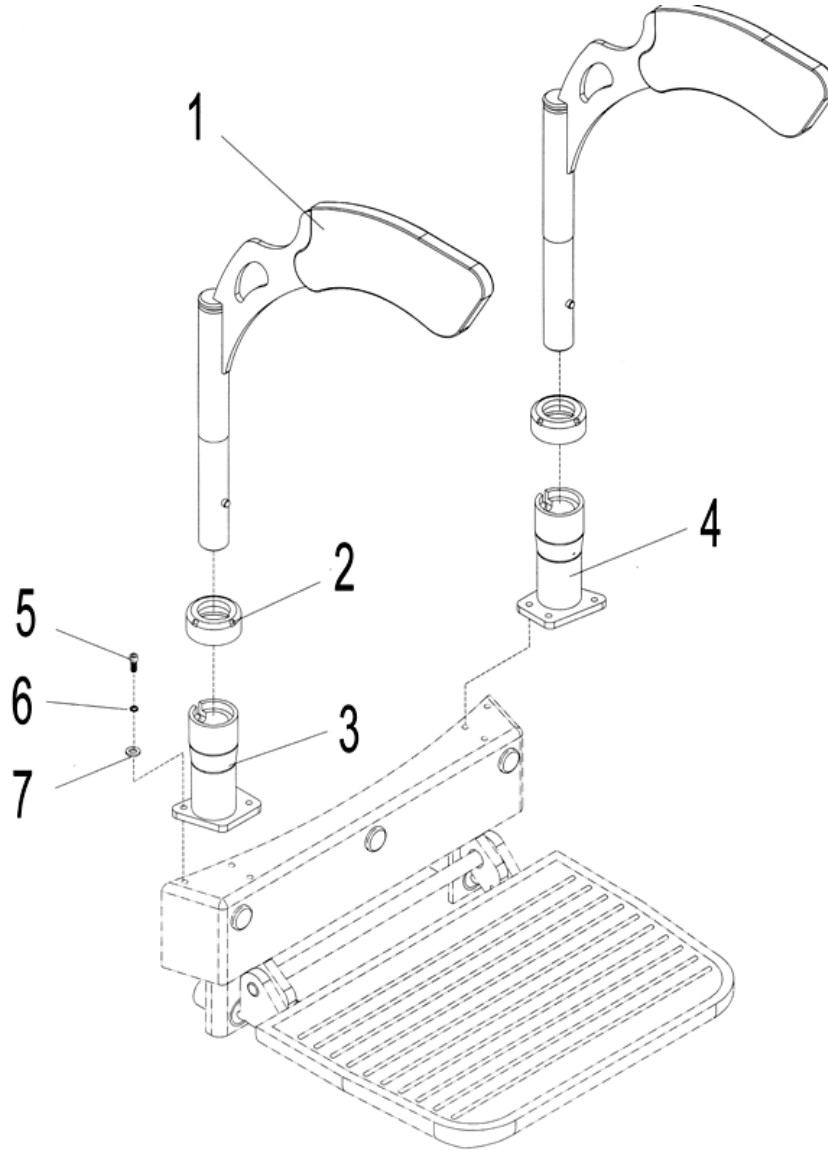


Fig 26 Protective Arm

| No. | Part Number | Item | Quantity | Remarks |
|-----|-------------|------------------------------|----------|---------|
| 1 | 1020400001 | Protective arm | 2 | |
| 2 | 1020402002 | Cap nut | 2 | |
| 3 | 1020401001 | Left protective arm bracket | 1 | |
| 4 | 1020401002 | Right protective arm bracket | 1 | |
| 5 | 0000023172 | Screw | 6 | |
| 6 | 0000025001 | Spring washer | 6 | |
| 7 | 0000025011 | Flat washer | 6 | |

Fig 27 LPT20/25 Main wiring harness

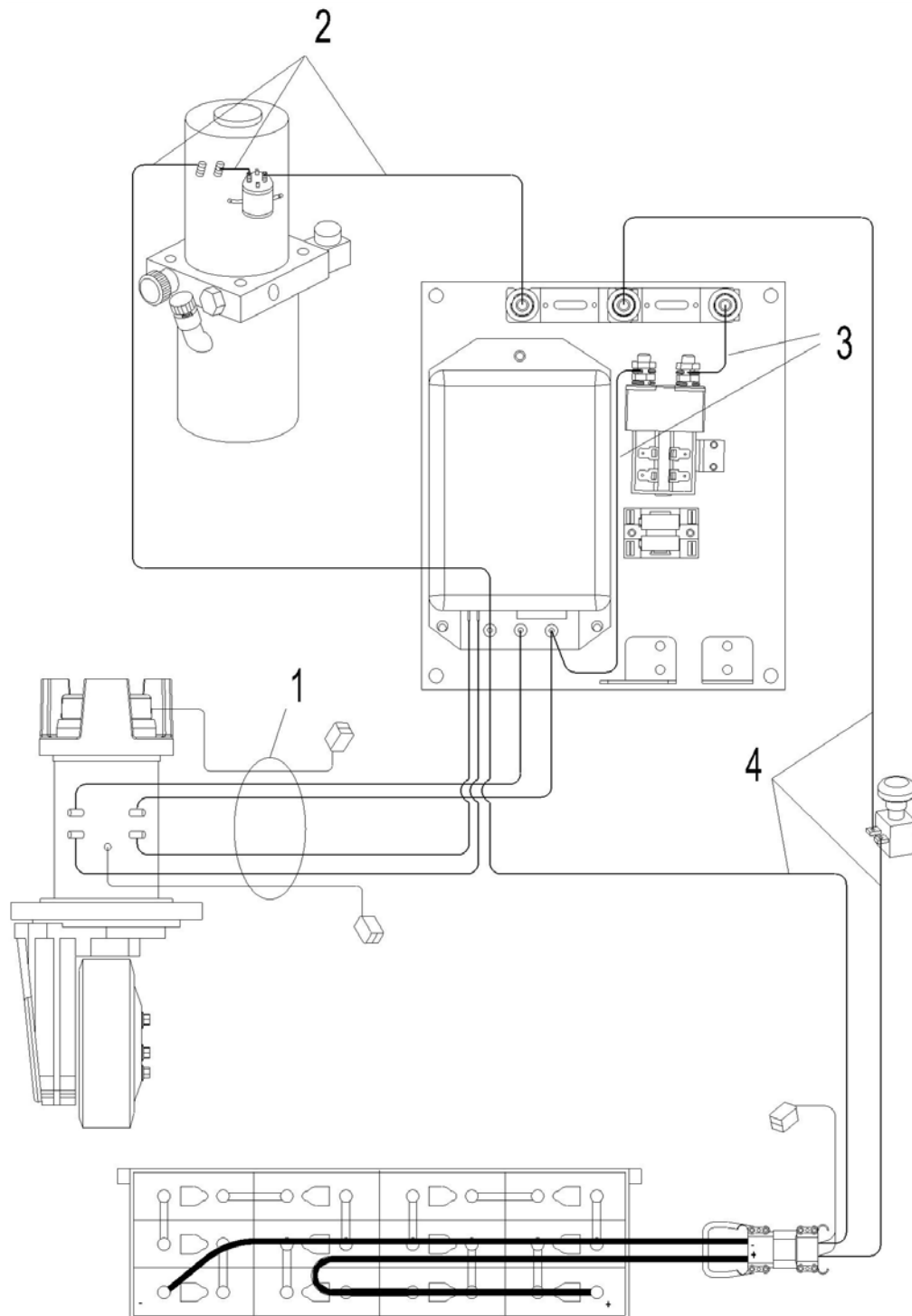


Fig 27 LPT20/25 Main wiring harness

| No. | Part Number | Item | Quantity | Remarks |
|-----|-------------|------|----------|---------|
|-----|-------------|------|----------|---------|

| | | | | |
|---|------------|-------------------------------------|---|--|
| 1 | 1020433032 | Wiring harness for traction motor | 1 | |
| 2 | 1020433033 | Wiring harness for pump motor | 1 | |
| 3 | 1020433007 | Wiring harness for main contactor | 1 | |
| 4 | 1020433034 | Wiring harness for controller power | 1 | |

Fig 28 LPT20/25 control wiring harness for handle

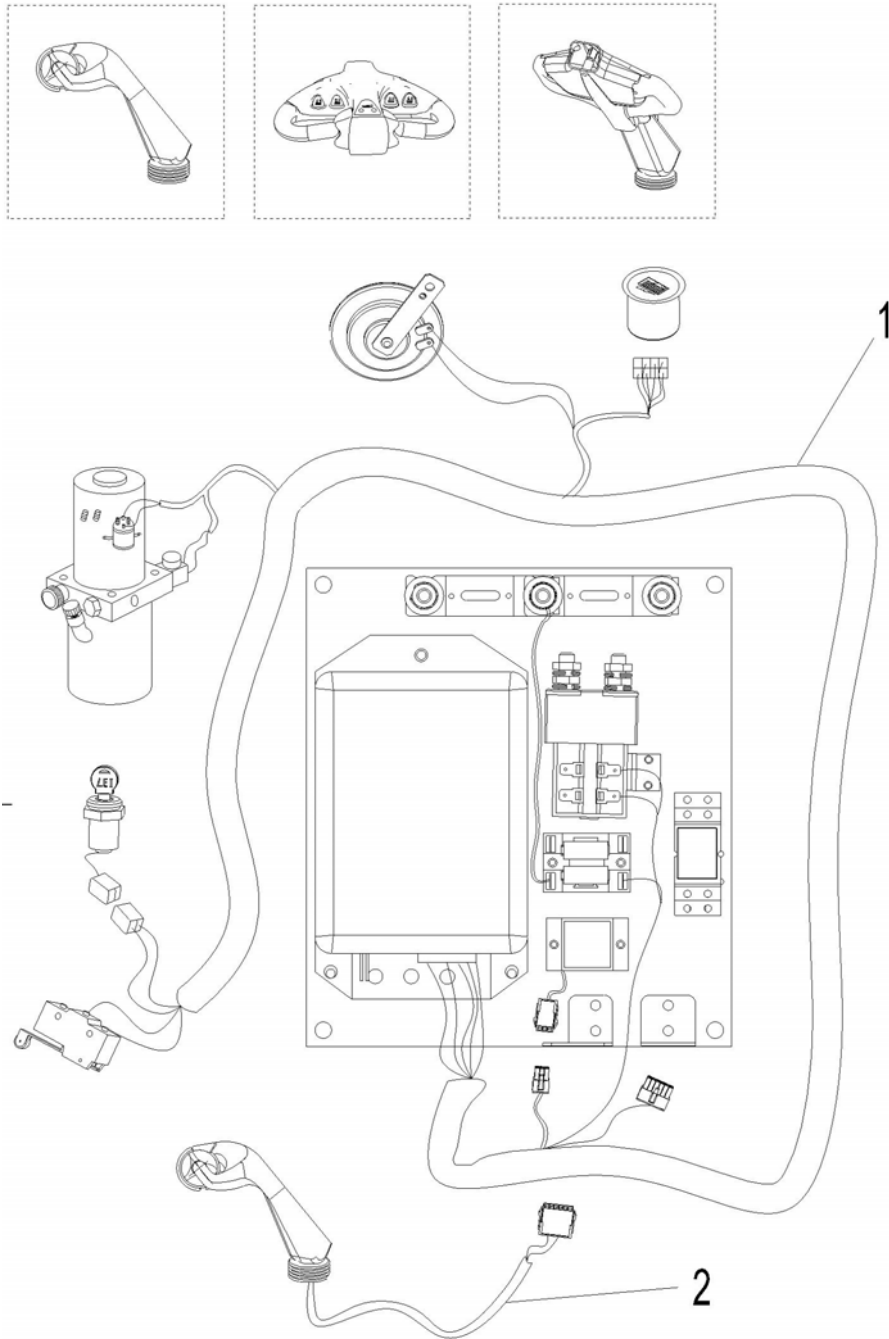


Fig 28 LPT20/25 control wiring harness for handle

| No. | Part Number | Item | Quantity | Remarks |
|-----|-------------|-------------------------------|----------|-----------------|
| 1 | 1020433035 | Control wiring harness | 1 | Nobleift handle |
| 1 | 1020433036 | Control wiring harness | 1 | REMA handle |
| 1 | 1020433040 | Control wiring harness | 1 | CANBUS handle |
| 2 | 1020433037 | Wiring harness for the handle | 1 | Nobleift handle |

| | | | | |
|---|------------|-------------------------------|---|---------------|
| 2 | 1020433038 | Wiring harness for the handle | 1 | REMA handle |
| 2 | 1020433039 | Wiring harness for the handle | 1 | CANBUS handle |

Fig 29 LPT22 Main wiring harness

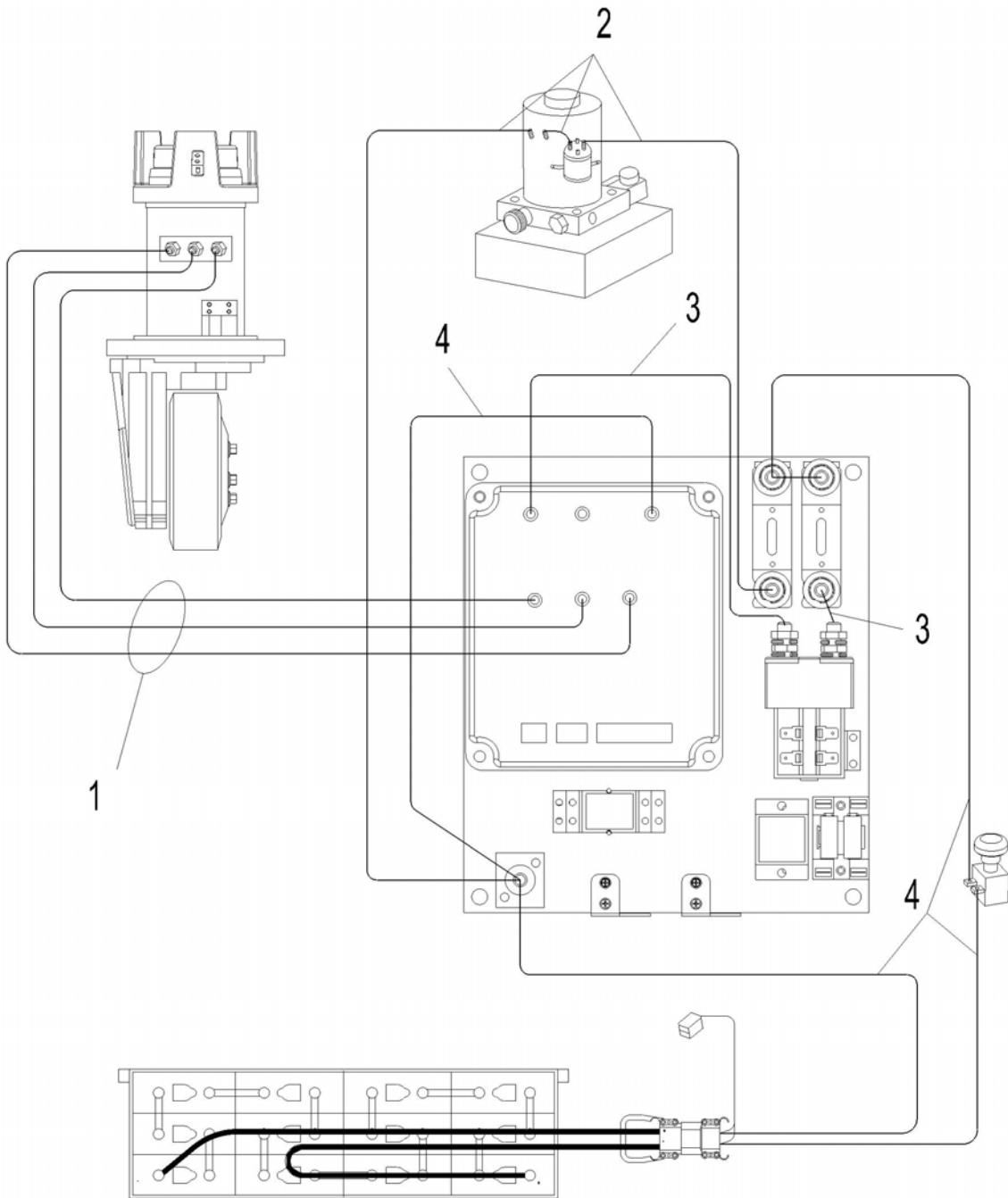


Fig. 29 LPT22 Main wiring harness

| No. | Part Number | Item | Quantity | Remarks |
|-----|-------------|-------------------------------------|----------|---------|
| 1 | 1020433022 | Wiring harness for traction motor | 1 | |
| 2 | 1020433027 | Wiring harness for pump motor | 1 | |
| 3 | 1020433016 | Wiring harness for main contactor | 1 | |
| 4 | 1020433024 | Wiring harness for controller power | 1 | |

Fig 30 LPT22 control wiring harness for handle

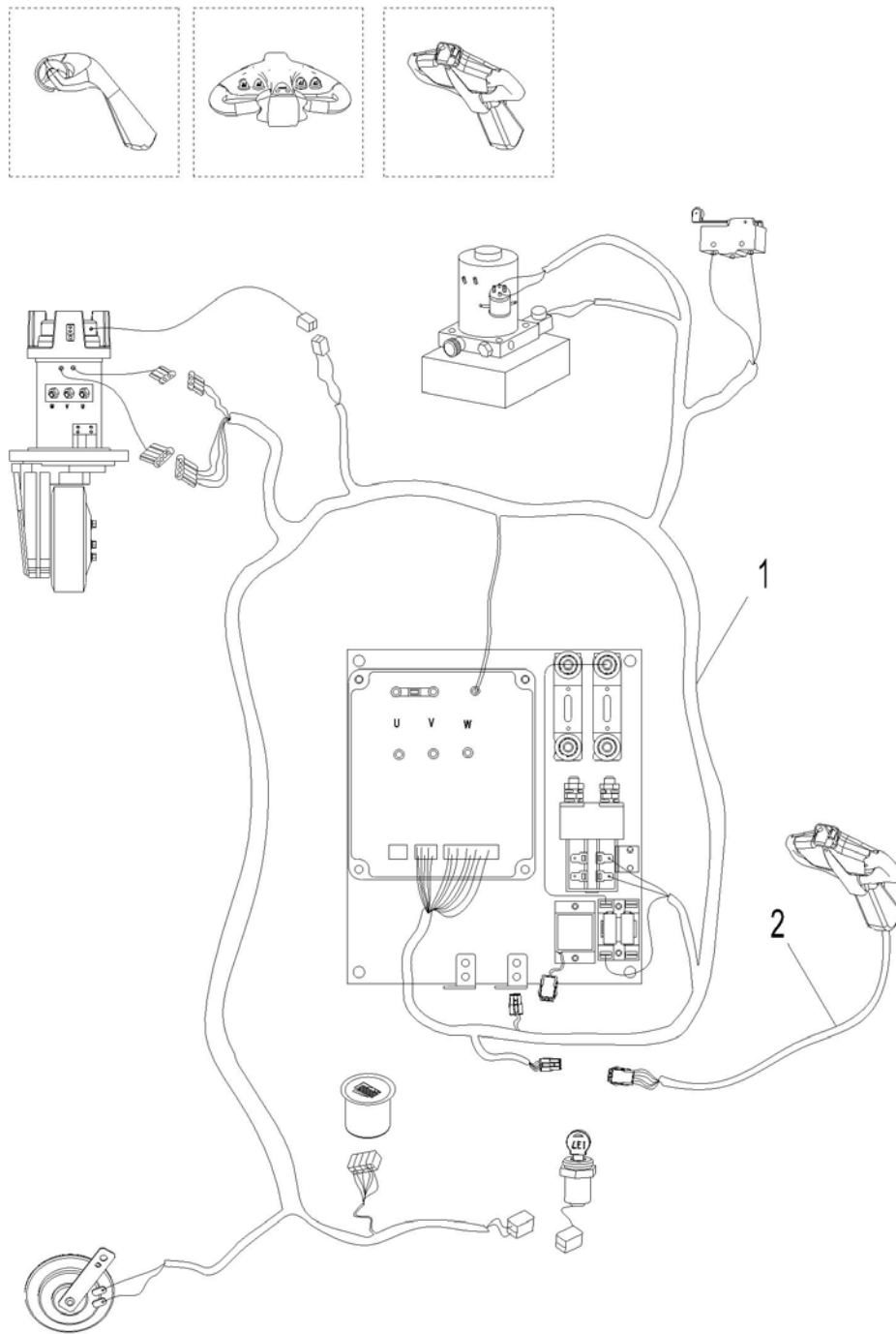


Fig 30 LPT22 control wiring harness for handle

| No. | Part Number | Item | Quantity | Remarks |
|-----|-------------|-------------------------------|----------|------------------|
| 1 | 1020433028 | control wiring harness | 1 | Noblelift handle |
| 1 | 1020433025 | control wiring harness | 1 | CANBUS handle |
| 1 | 1020433029 | control wiring harness | 1 | REMA handle |
| 2 | 1020433030 | Wiring harness for the handle | 1 | Noblelift handle |
| 2 | 1020433026 | Wiring harness for the handle | 1 | CANBUS handle |
| 2 | 1020433031 | Wiring harness for the handle | 1 | REMA handle |

Manufacturer maintains the rights of modifying this manual without notice!