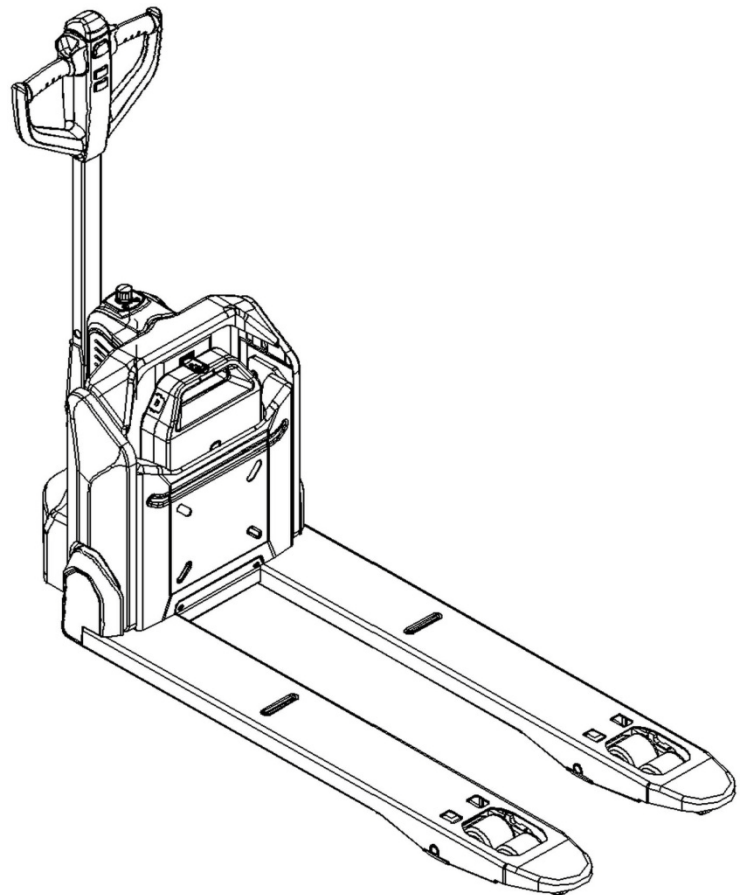


# SPARE PARTS LIST

## Electric Pallet Truck PTE15N



Version 03/2019

From truck identification number:

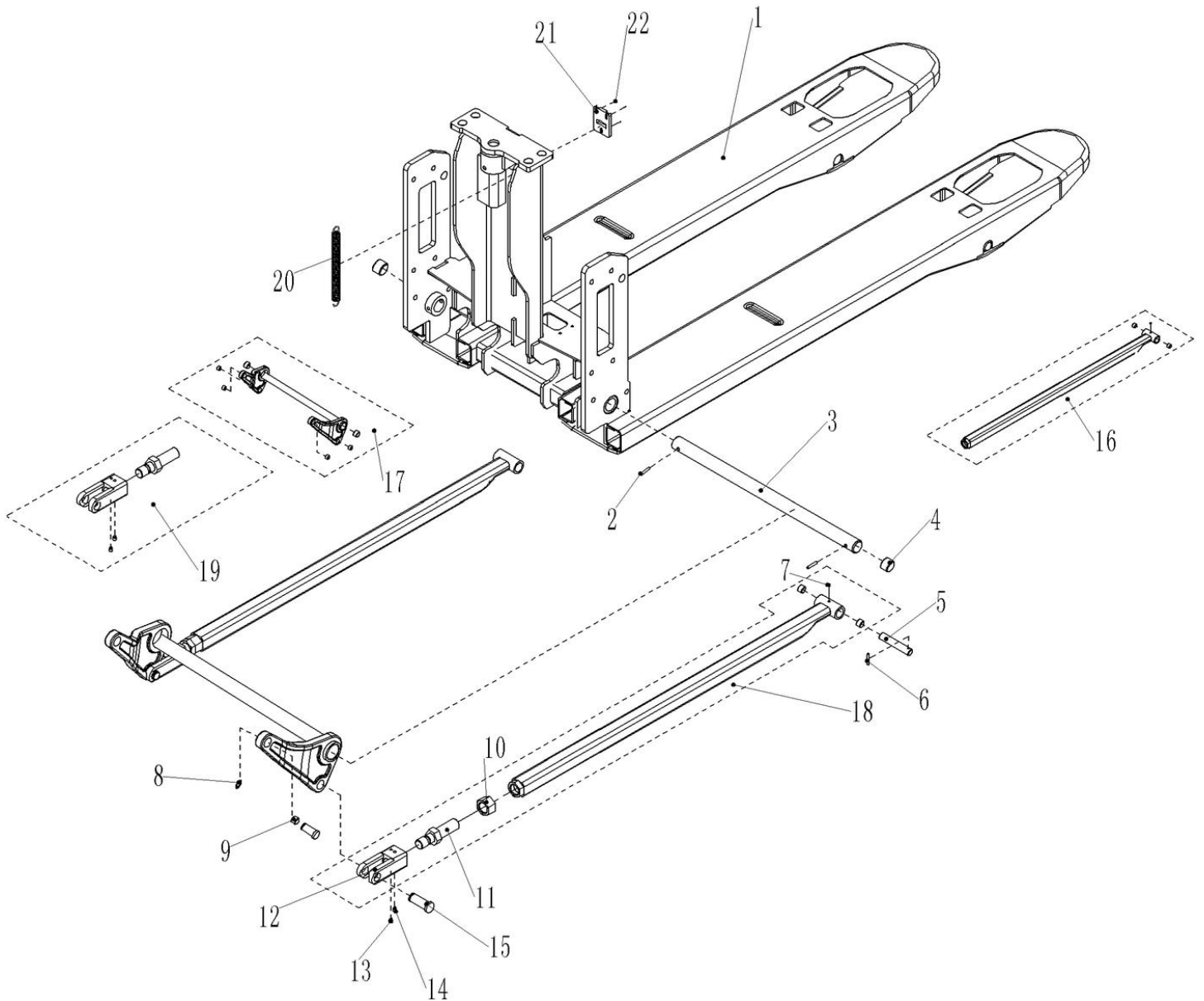
20190302065

PTE15N -BPT-007-EN

# Catalogue

|   |    |
|---|----|
| Fig. 1 Chassis (540x800/915/1000/1150/1220).....              | 3  |
| Fig. 2 Chassis (685x800/915/1000/1150/1220).....              | 6  |
| Fig. 3 Load roller components .....                           | 9  |
| Fig. 4 Driving unit.....                                      | 11 |
| Fig. 5 Driving wheel components .....                         | 13 |
| Fig. 6 Cylinder.....  | 14 |
| Fig. 7 Power unit.....  | 15 |
| Fig. 8 Hydraulic components .....                             | 17 |
| Fig. 9 Steering wheel components (with side rollers).....     | 18 |
| Fig. 10 Steering wheel components (without side rollers)..... | 19 |
| Fig. 11 Tiller head.....                                      | 20 |
| Fig. 12 Tiller arm components .....                           | 22 |
| Fig. 13 Truck components .....                                | 23 |
| Fig. 14 Power supply assembly.....                            | 25 |
| Fig. 15 Controller components .....                           | 26 |
| Fig. 16 Load Backrest Components .....                        | 28 |
| Fig. 17 Charger .....   | 29 |
| Fig. 18 Wiring harness.....                                   | 30 |
| Fig. 19 Sticker (EU).....                                     | 31 |
| Fig. 20 Sticker (US).....                                     | 32 |
| Easy worn parts list.....                                     | 33 |

**Fig. 1 Chassis (540x800/915/1000/1150/1220)**

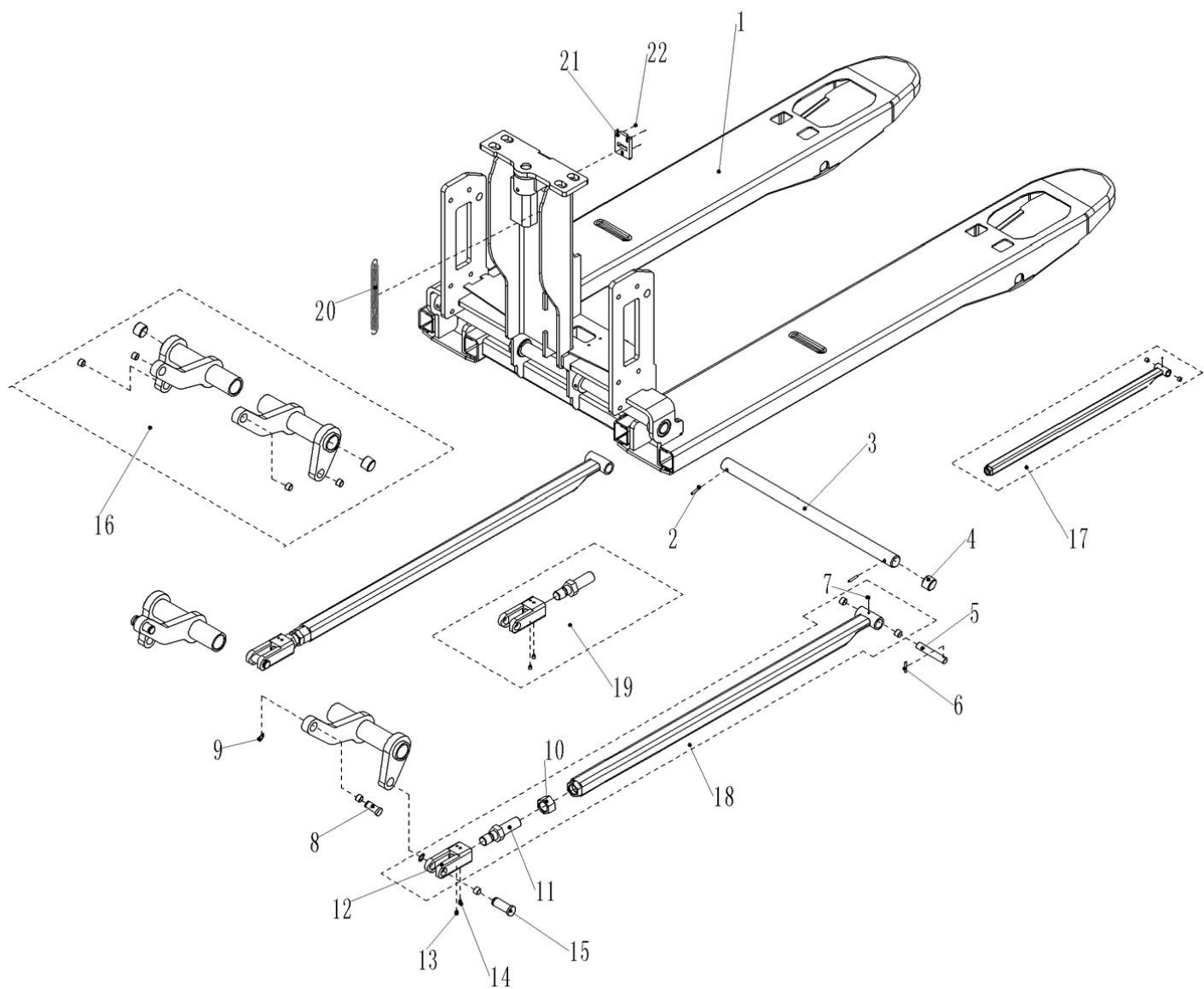


**Fig. 1 Chassis (540x800/915/1000/1150/1220)**

| No. | Art No.      | Description                             | Qty. | Note |
|-----|--------------|---|------|------|
| 1   | 508038510004 | Chassis welding (540x800)               | 1    |      |
|     | 508038530001 | Chassis welding (540x915)               | 1    |      |
|     | 508038510005 | Chassis welding (540x1000)              | 1    |      |
|     | 508038510000 | Chassis welding (540x1150)              | 1    |      |
|     | 508038510009 | Chassis welding (540x1220)              | 1    |      |
| 2   | 910600400041 | Elastic cylindrical pin<br>GB879.1-6x40 | 2    |      |
| 3   | 508038520027 | Axle $\Phi$ 25x462                      | 1    |      |
| 4   | 940500100032 | Bushing $\Phi$ 25x $\Phi$ 29x25-SF-1    | 2    |      |
| 5   | 502338520030 | Push rod axle $\Phi$ 16x82              | 2    |      |
| 6   | 910600400024 | Elastic cylindrical pin<br>GB879.1-5x28 | 2    |      |
| 7   | 911200100001 | Grease nipple JB7940.4-6                | 2    |      |
| 8   | 910401300007 | Circlip GB894.1-16                      | 4    |      |
| 9   | 940500100006 | Bushing $\Phi$ 16x $\Phi$ 18x15-SF-1    | 8    |      |
| 10  | 910300400008 | Nut GB6173-M20x1.5-05                   | 2    |      |
| 11  | 508038520029 | Adjusting bolt                          | 2    |      |
| 12  | 508038520028 | Push rod fork                           | 2    |      |
| 13  | 910201000005 | Screw GB79-M6x8-45H                     | 2    |      |
| 14  | 910600400015 | Elastic cylindrical pin 4x30            | 2    |      |
| 15  | 508038520041 | Pin $\Phi$ 16x44                        | 4    |      |
| 16  | 508098510037 | Push rod components (800)               | 2    | 800  |
|     | 508098510005 | Push rod components (915)               | 2    | 915  |
|     | 508098510040 | Push rod components (1000)              | 2    | 1000 |
|     | 508098510000 | Push rod components (1150)              | 2    | 1150 |
|     | 508098510041 | Push rod components (1220)              | 2    | 1220 |
| 17  | 508098510001 | Rock arm components (540)               | 1    |      |
| 18  | 508098510038 | Push rod kits (800)                     | 2    | 1150 |
|     | 508098510006 | Push rod kits (915)                     | 2    | 915  |
|     | 508098510043 | Push rod kits (1000)                    | 2    | 1000 |
|     | 508098510002 | Push rod kits (1150)                    | 2    | 1150 |
|     | 508098510044 | Push rod kits (1220)                    | 2    | 1220 |
| 19  | 508098510004 | Push rod fork components                | 2    |      |

|    |              |   |   |  |
|----|--------------|---|---|--|
| 20 | 380621520042 | Spring $\Phi 10.4 \times \Phi 1.6 \times 160$ | 1 |  |
| 21 | 508038520109 | Lock catch                                    | 1 |  |
| 22 | 910200500034 | Screw GB818-M4x8-4.8                          | 3 |  |

**Fig. 2 Chassis (685x800/915/1000/1150/1220)**



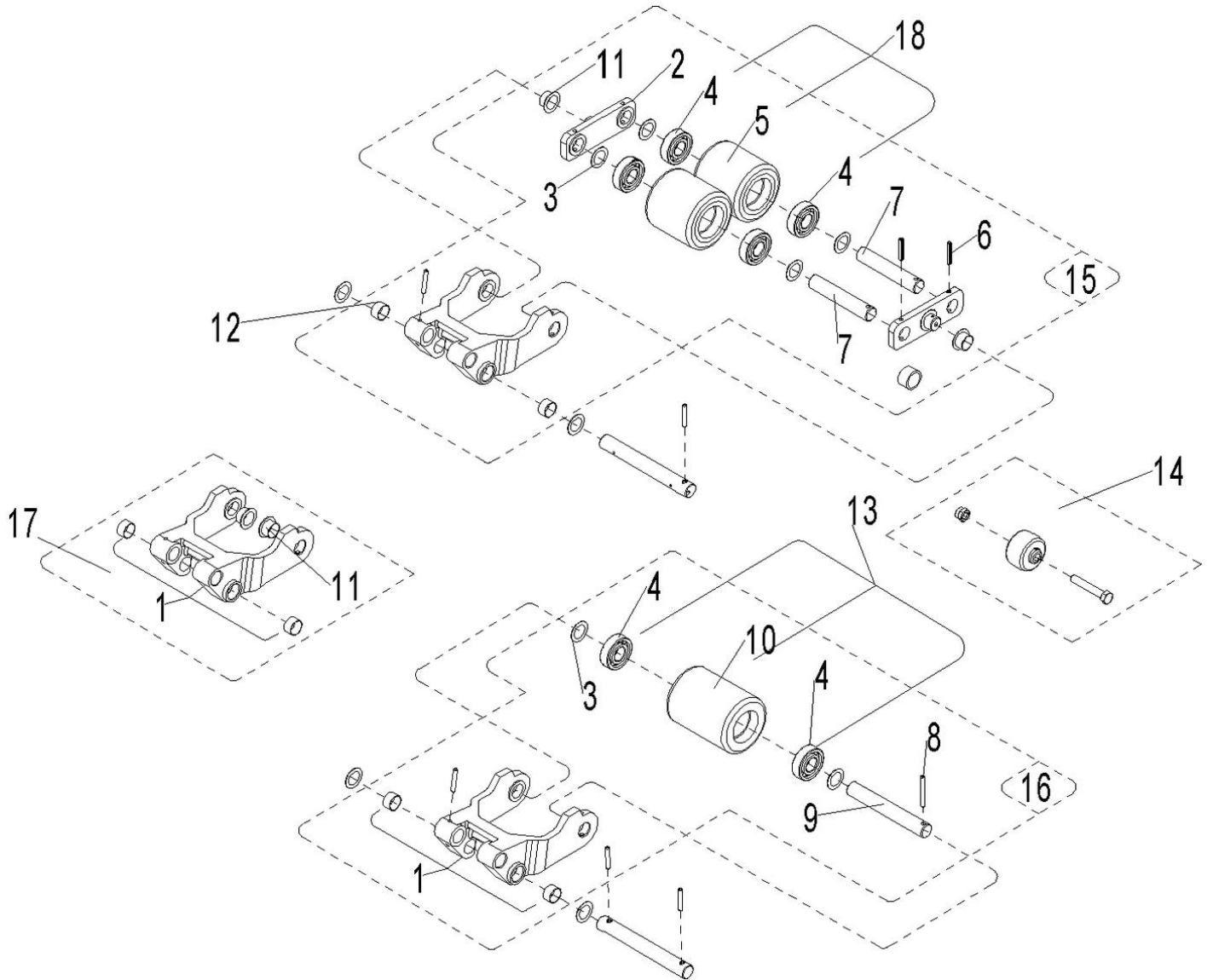
**Fig. 2 Chassis (685x800/915/1000/1150/1220)**

| No. | Art No.      | Description                             | Qty. | Note |
|-----|--------------|---|------|------|
| 1   | 508038510008 | Chassis welding (685x800)               | 1    |      |
|     | 508038510002 | Chassis welding (685x915)               | 1    |      |
|     | 508038510006 | Chassis welding (685x1000)              | 1    |      |
|     | 508038510001 | Chassis welding (685x1150)              | 1    |      |
|     | 508038510025 | Chassis welding (685x1220)              | 1    |      |
| 2   | 910600400041 | Elastic cylindrical pin<br>GB879.1-6x40 | 2    |      |
| 3   | 508038520035 | Axle $\Phi$ 25x609                      | 1    |      |
| 4   | 940500100032 | Bushing $\Phi$ 25x $\Phi$ 29x25-SF-1    | 4    |      |
| 5   | 502338520030 | Push rod axle $\Phi$ 16x82              | 2    |      |
| 6   | 910600400024 | Elastic cylindrical pin<br>GB879.1-5x28 | 2    |      |
| 7   | 911200100001 | Grease nipple JB7940.4-6                | 2    |      |
| 8   | 940500100006 | Bushing $\Phi$ 16x $\Phi$ 18x15-SF-1    | 8    |      |
| 9   | 910401300007 | Circlip GB894.1-16                      | 4    |      |
| 10  | 910300400008 | Nut GB6173-M20x1.5-05                   | 2    |      |
| 11  | 508038520029 | Adjusting bolt                          | 2    |      |
| 12  | 508038520028 | Push rod fork                           | 2    |      |
| 13  | 910201000005 | Screw GB79-M6x8-45H                     | 2    |      |
| 14  | 910600400015 | Elastic cylindrical pin 4x30            | 2    |      |
| 15  | 508038520041 | Pin $\Phi$ 16x44                        | 4    |      |
| 16  | 508098510003 | Rock arm components (685)               | 1    |      |
| 17  | 508098510037 | Push rod components(800)                | 2    | 800  |
|     | 508098510005 | Push rod components (915)               | 2    | 915  |
|     | 508098510040 | Push rod components (1000)              | 2    | 1000 |
|     | 508098510000 | Push rod components (1150)              | 2    | 1150 |
|     | 508098510041 | Push rod components (1220)              | 2    | 1220 |
| 18  | 508098510038 | Push rod kits (800)                     | 2    | 800  |
|     | 508098510006 | Push rod kits (915)                     | 2    | 915  |
|     | 508098510043 | Push rod kits (1000)                    | 2    | 1000 |
|     | 508098510002 | Push rod kits (1150)                    | 2    | 1150 |
|     | 508098510044 | Push rod kits (1220)                    | 2    | 1220 |
| 19  | 508098510004 | Push rod fork components                | 2    |      |

|    |              |   |   |  |
|----|--------------|---|---|--|
| 20 | 380621520042 | Spring $\Phi 10.4 \times \Phi 1.6 \times 160$ | 1 |  |
| 21 | 508038520109 | Lock catch                                    | 1 |  |
| 22 | 910200500034 | Screw GB818-M4x8-4.8                          | 3 |  |



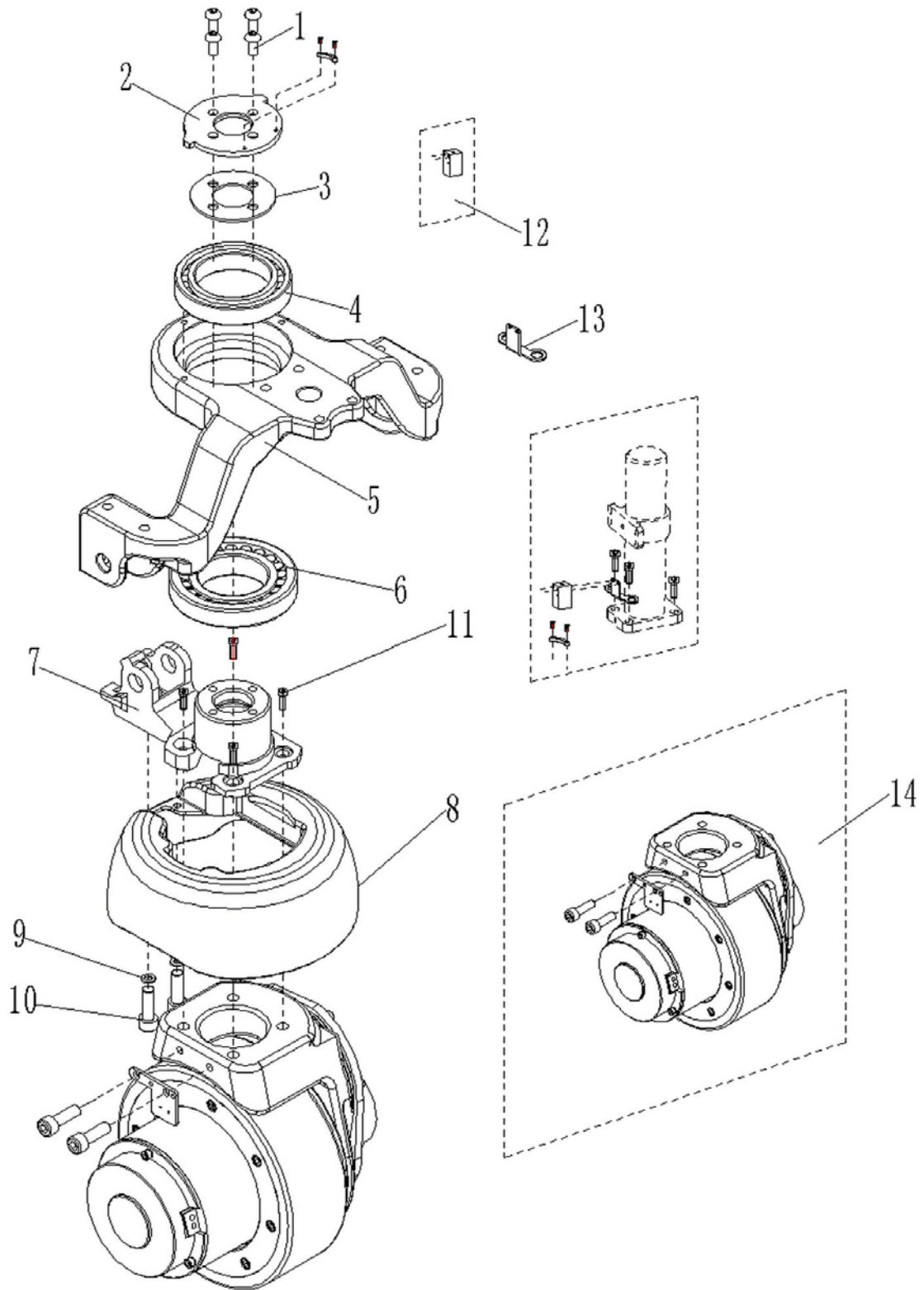
**Fig. 3 Load roller components**



**Fig. 3 Load Roller Components**

| No. | Art No.      | Description   | Qty.                | Note        |
|-----|--------------|---|---------------------|-------------|
| 1   | 502398510018 | Arm block assembly(75mm Single wheel frame)                         | 2                   | Low profile |
| 2   | 502317020000 | Linking plate   | 4                   | Tandem      |
| 3   | 940600500013 | Washer $\Phi 25 \times \Phi 20.5 \times 1$                          | 8/4 (Tandem/Single) |             |
| 4   | 910700200019 | Bearing GB276-6204-2RS  | 8/4 (Tandem/Single) |             |
| 5   | 940300300005 | Roller $\Phi 80 \times 70$ (Steel core PU)                          | 4 (Tandem)          |             |
| 6   | 910600400027 | Elastic cylindrical pin GB879.1-5x35                                | 8 (Tandem)          |             |
| 7   | 502317020001 | Wheel axle $\Phi 20 \times 94$                                      | 4 (Tandem)          |             |
| 8   | 910600400027 | Elastic cylindrical pin GB879.1-5x35                                | 8 (Tandem)          |             |
| 9   | 301017020001 | Wheel axle $\Phi 20 \times 122$                                     | 2 (Single)          |             |
| 10  | 940300300023 | Roller $\Phi 80 \times 93$ (Steel core PU)                          | 2 (Single)          |             |
| 11  | 940500200003 | Bushing (With shoulder)<br>$\Phi 18 \times \Phi 20 \times 12$ -SF-1 | 4 (Tandem)          |             |
| 12  | 940500100012 | Bushing $\Phi 20 \times \Phi 22 \times 12$ -SF-1                    | 4                   |             |
| 13  | 502398510014 | Wheel set accessories(single)                                       | 2                   |             |
| 14  | 502398510003 | Roller kit  | 2                   |             |
| 15  | 502398510020 | Wheel accessories(double)   | 2                   |             |
| 16  | 502398510017 | Wheel accessories(single)   | 2                   |             |
| 17  | 502398510019 | Arm block assembly(75mm Double wheel frame)                         | 2                   | Low profile |
| 18  | 502398510002 | Wheel set accessories(double)                                       | 2                   |             |

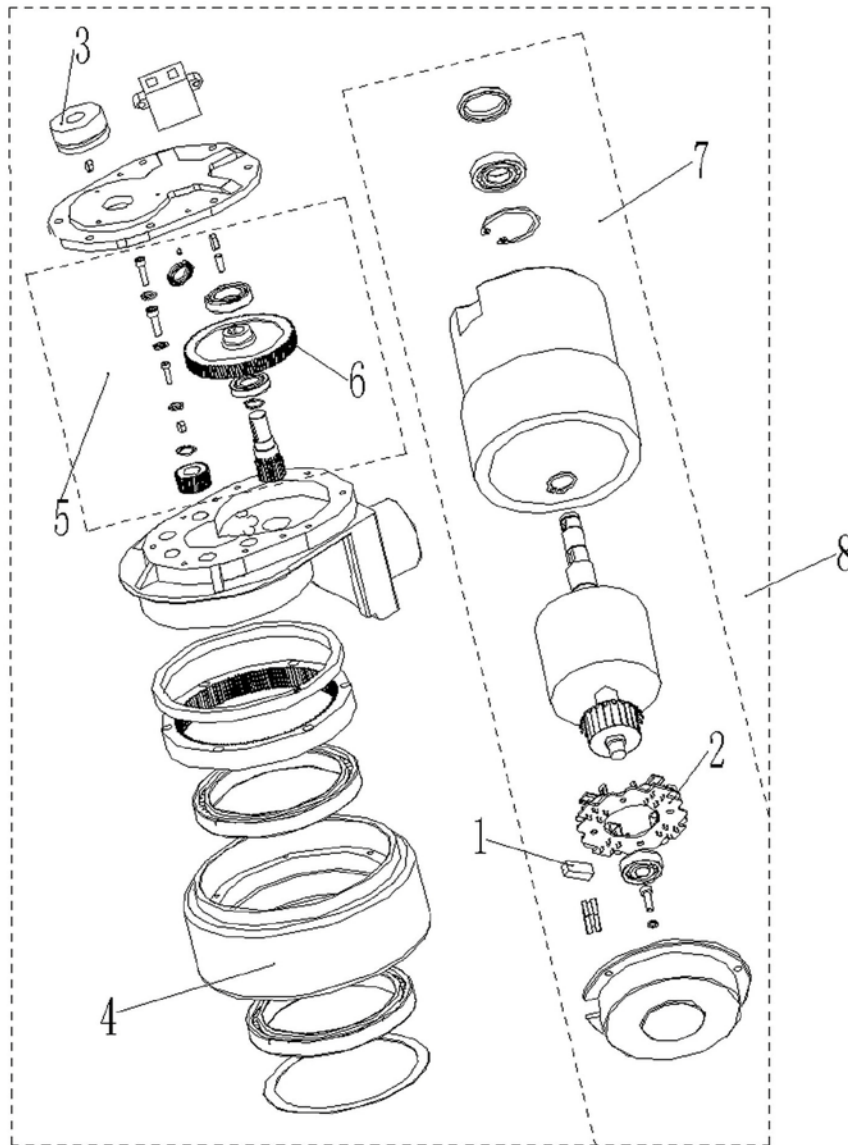
Fig. 4 Driving unit



**Fig. 4 Driving Unit**

| No. | Art No.      | Description                 | Qty. | Note                          |
|-----|--------------|-----------------------------|------|-------------------------------|
| 1   | 910200300024 | Screw GB70.2-M8x16-8.8      | 4    |                               |
| 2   | 508013520003 | Bearing cap                 | 1    |                               |
| 3   | 508013520004 | Washer                      | 1    |                               |
| 4   | 910700200058 | Bearing GB276-6013-2RS      | 1    |                               |
| 5   | 508013520000 | Driving wheel seat          | 1    |                               |
| 6   | 910700600044 | Bearing GB297-32913         | 1    |                               |
| 7   | 508013520001 | Linking flange              | 1    |                               |
| 8   | 508013520101 | Round cover                 | 1    |                               |
| 9   | 910400100005 | Washer GB97.1-6-200HV       | 2    |                               |
| 10  | 910200200032 | Screw GB70.1-M6x10-8.8      | 2    |                               |
| 11  | 910200200076 | Screw GB70.1-M10x25-8.8     | 4    |                               |
| 12  | 508098510012 | Proximity switch components | 1    | With speed reduction on curve |
| 13  | 508033020003 | Frame                       | 1    | With speed reduction on curve |
| 14  | 508098510014 | Driving components          | 1    |                               |
|     | 508098510045 | Driving components          | 1    | INTORQ brake                  |

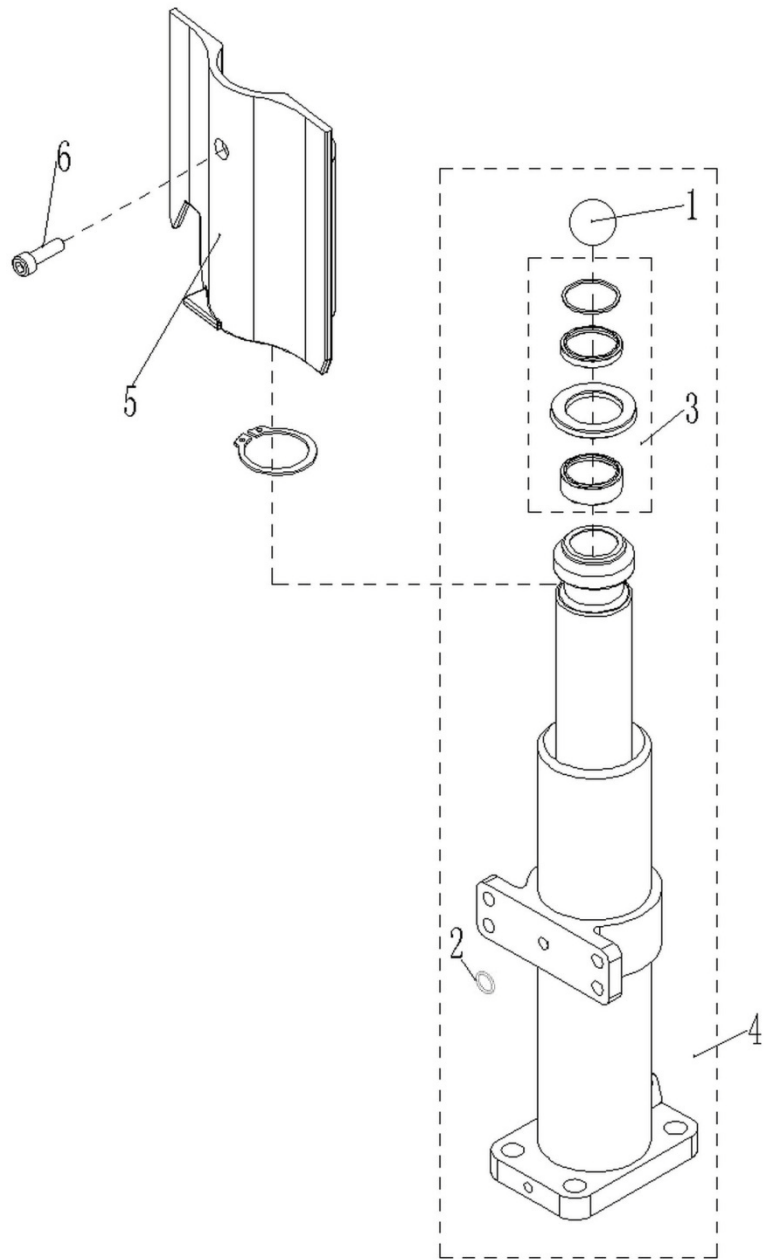
**Fig. 5 Driving wheel components**



**Fig. 5 Driving Wheel Components**

| No. | Art No.      | Description        | Qty. | Note         |
|-----|--------------|--------------------|------|--------------|
| 1   | 508098520000 | Carbon brush       | 4    |              |
| 2   | 508098520001 | Carbon brush frame | 1    |              |
| 3   | 508098520002 | Brake              | 1    |              |
| 4   | 508098520003 | Wheel              | 1    |              |
| 5   | 508098510015 | Gearbox components | 1    |              |
| 6   | 508098520004 | Big gear ring      | 1    |              |
| 7   | 508098510016 | Motor components   | 1    |              |
| 8   | 940900100008 | Driving assembly   | 1    |              |
|     | 940900100012 | Driving assembly   | 1    | INTORQ brake |

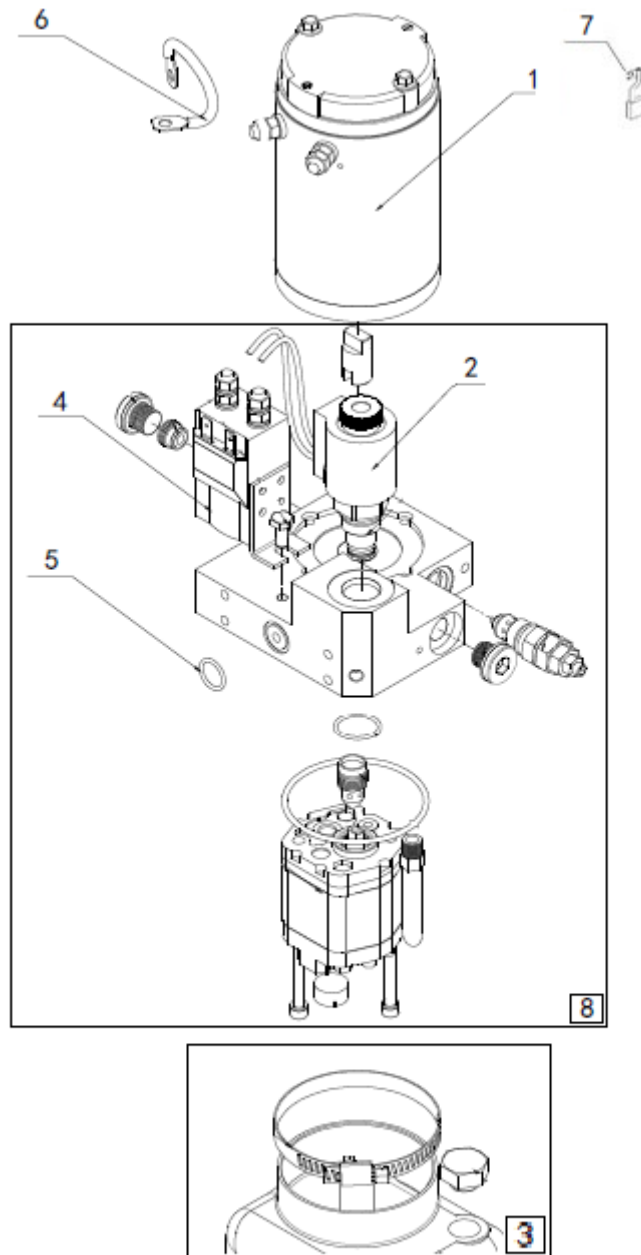
**Fig. 6 Cylinder**



**Fig. 6 Cylinder**

| No. | Art No.      | Description            | Qty. | Note     |
|-----|--------------|------------------------|------|----------|
| 1   | 910701100019 | Steel ball GB308-18    | 1    |          |
| 2   | 910800100098 | O ring                 | 1    | 13.5x1.8 |
| 3   | 508098510018 | Sealing components     | 1    |          |
| 4   | 508098510019 | Cylinder components    | 1    |          |
| 5   | 508024020103 | Cover for cylinder     | 1    |          |
| 6   | 910200200033 | Screw GB70.1-M6x12-8.8 | 1    |          |

**Fig. 7 Power unit**

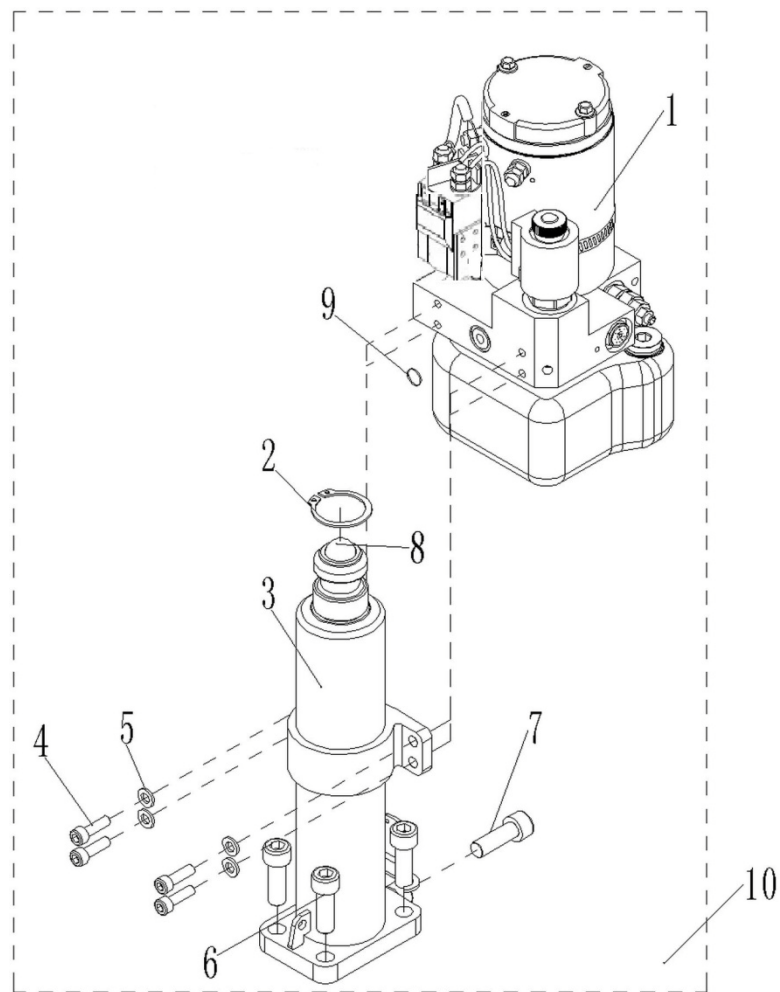


**Fig. 7 Power Unit**

| No. | Art No.      | Description                      | Qty. | Note     |
|-----|--------------|----------------------------------|------|----------|
| 1   | 508098510020 | DC Motor                         | 1    | MD24050  |
| 2   | 508098510034 | Electromagnetic valve components | 1    |          |
| 3   | 508098510023 | Oil tank components              | 1    |          |
| 4   | 508098510021 | Contactora                       | 1    | DK0324E  |
| 5   | 910800100098 | O ring                           | 1    | 13.5x1.8 |
| 6   | 508098520007 | Soft connection cable            | 1    | RSWC-04  |
| 7   | 508098520008 | Electric brush                   | 1    |          |
| 8   | 508098510022 | Gear pump components             | 1    |          |



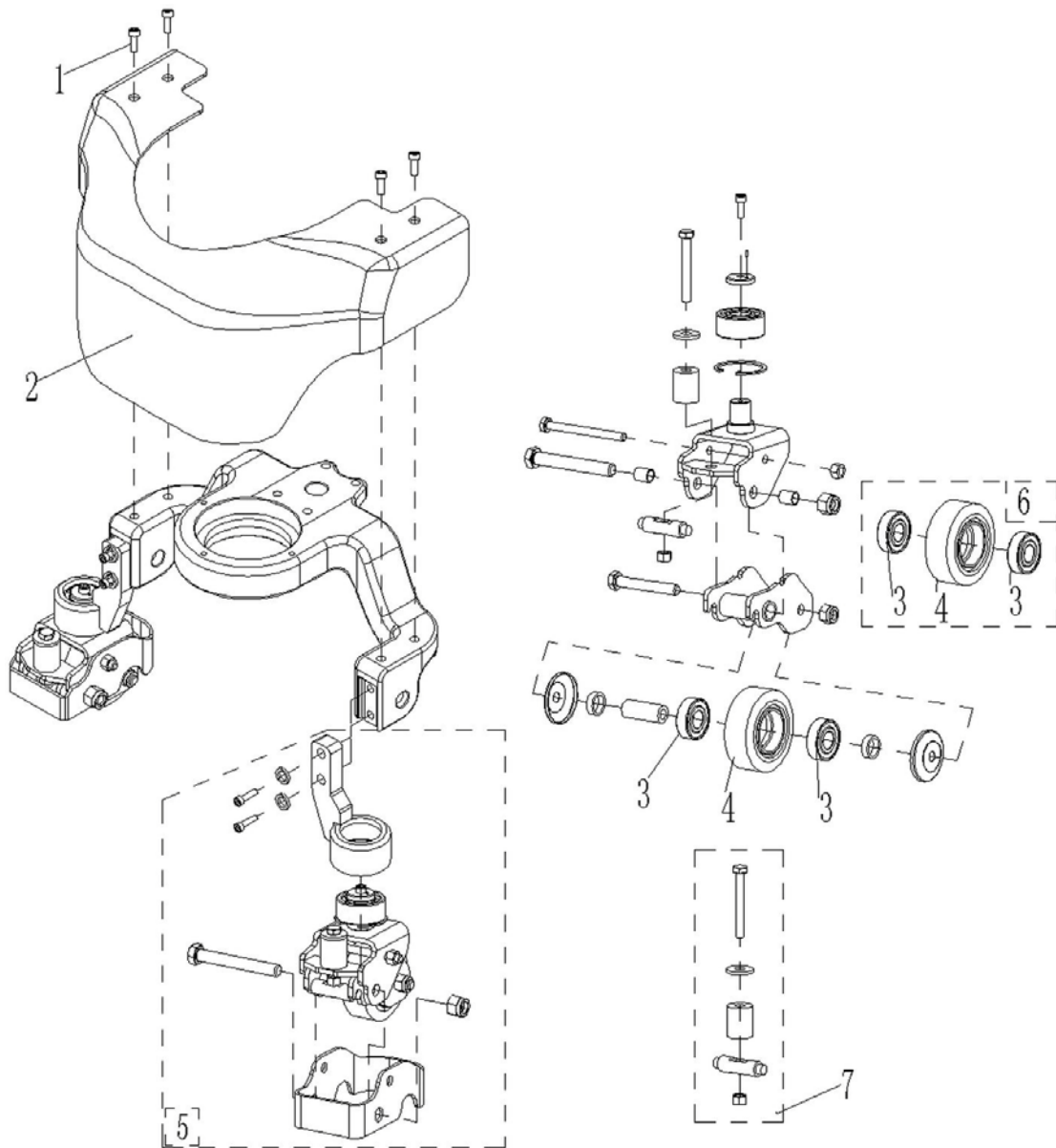
**Fig. 8 Hydraulic components**



**Fig. 8 Hydraulic Components**

| No. | Art No.      | Description                            | Qty. | Note     |
|-----|--------------|--|------|----------|
| 1   | 950900100048 | Hydraulic power unit<br>24V0.5KW0.38cc | 1    |          |
| 2   | 910401300017 | Circlip GB894.1-32                     | 1    |          |
| 3   | 508024010000 | Cylinder assembly                      | 1    |          |
| 4   | 910200200036 | Screw GB70.1-M6x20-8.8                 | 7    |          |
| 5   | 910400100005 | Flat washer GB97.1-6-200HV             | 7    |          |
| 6   | 910200200077 | Screw GB70.1-M10x30-8.8                | 4    |          |
| 7   | 910200200045 | Screw GB70.1-M6x6-8.8                  | 1    |          |
| 8   | 910701100019 | Steel ball GB308-18                    | 1    |          |
| 9   | 910800100098 | O ring                                 | 1    | 13.5x1.8 |
| 10  | 508098510026 | Hydraulic components                   | 1    |          |

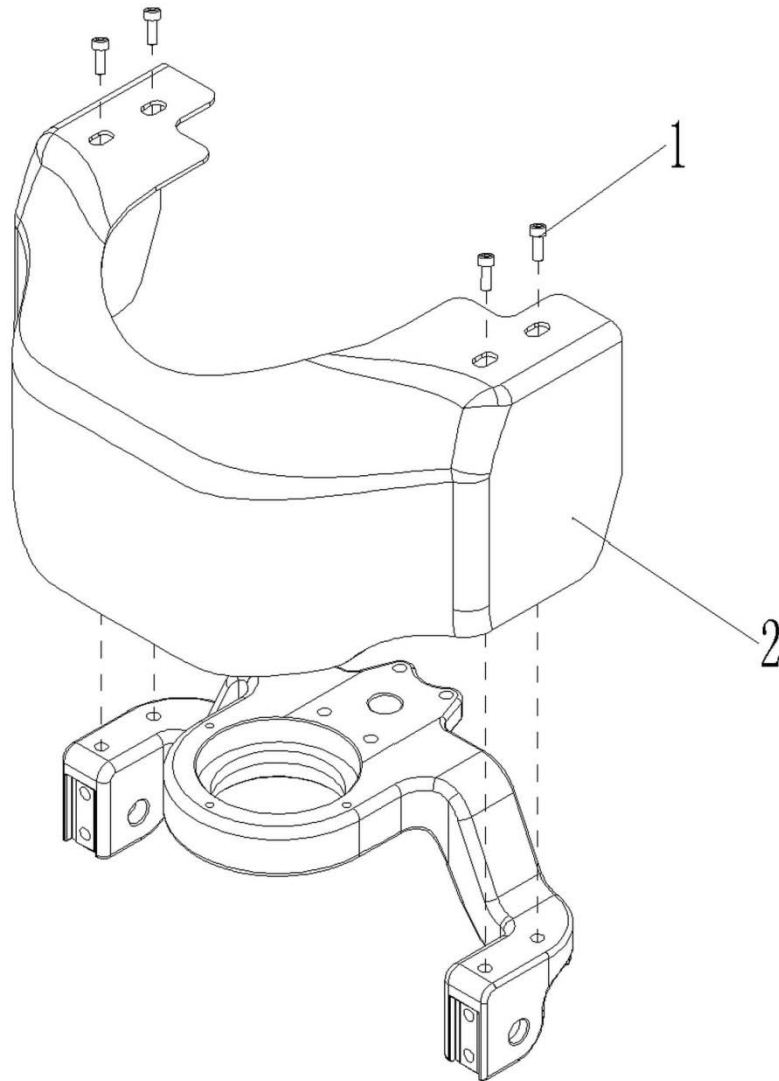
**Fig. 9 Steering wheel components (with side rollers)**



**Fig. 9 Steering Wheel Components (with side rollers)**

| No. | Art No.      | Description                                     | Qty. | Note |
|-----|--------------|---|------|------|
| 1   | 941100100005 | Screw M10x15-8.8                                | 4    |      |
| 2   | 508016520000 | Apron (side roller)                             | 1    |      |
| 3   | 910700200018 | Bearing GB276-6203-2RS                          | 2    |      |
| 4   | 940300300017 | Roller $\Phi 80 \times 30$ (Steel core PU)      | 1    |      |
| 5   | 508016510000 | Side roller components $\Phi 80 \times 30$ (PU) | 1    |      |
| 6   | 502398510015 | Roller components                               | 1    |      |
| 7   | 502398510016 | Spring components                               | 1    |      |

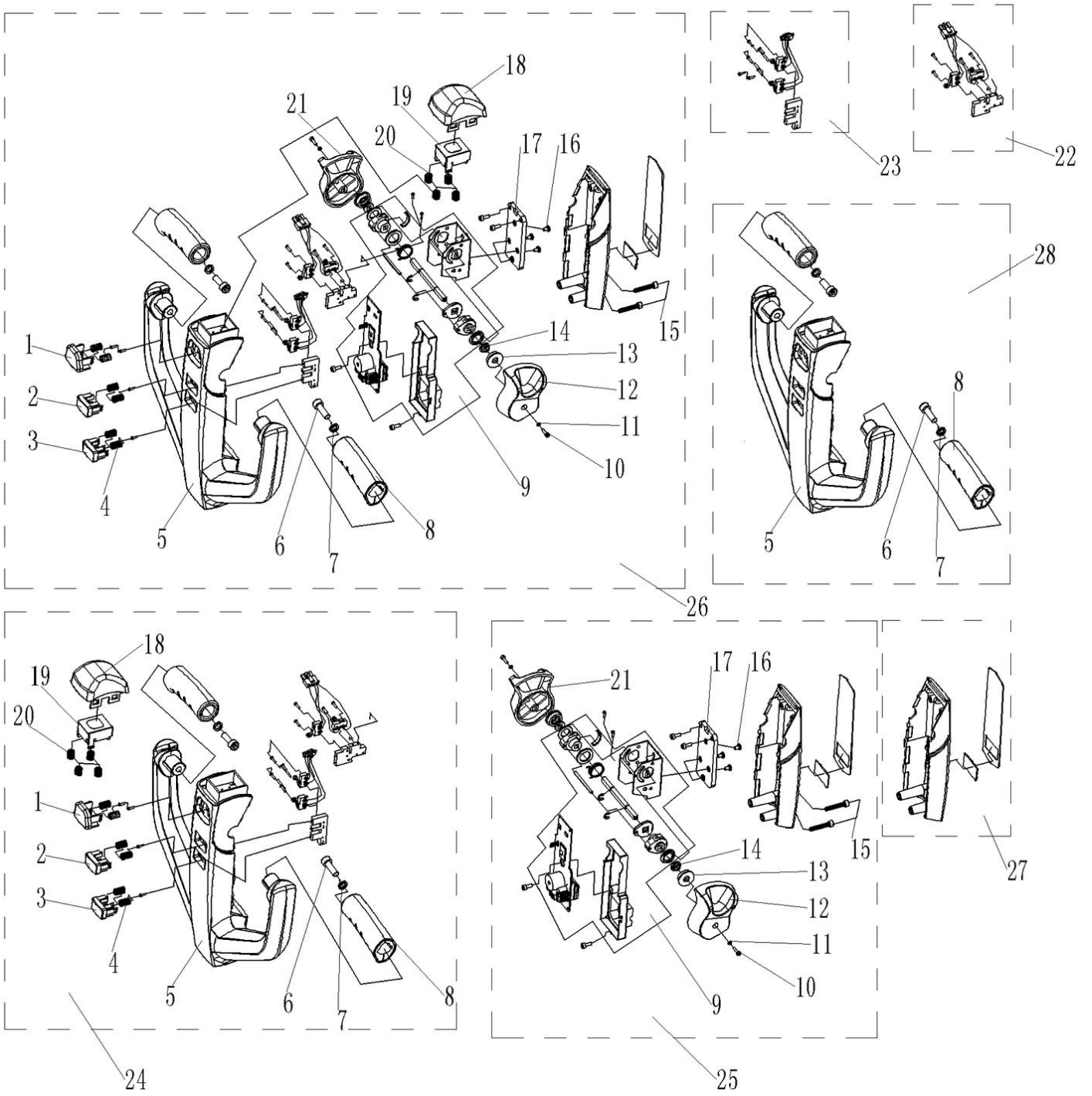
**Fig. 10 Steering wheel components (without side rollers)**



**Fig. 10 Steering Wheel Components (without side rollers)**

| No. | Art No.      | Description                 | Qty. | Note |
|-----|--------------|-----------------------------|------|------|
| 1   | 941100100005 | Screw M10x15-8.8            | 4    |      |
| 2   | 508016520001 | Apron (without side roller) | 1    |      |

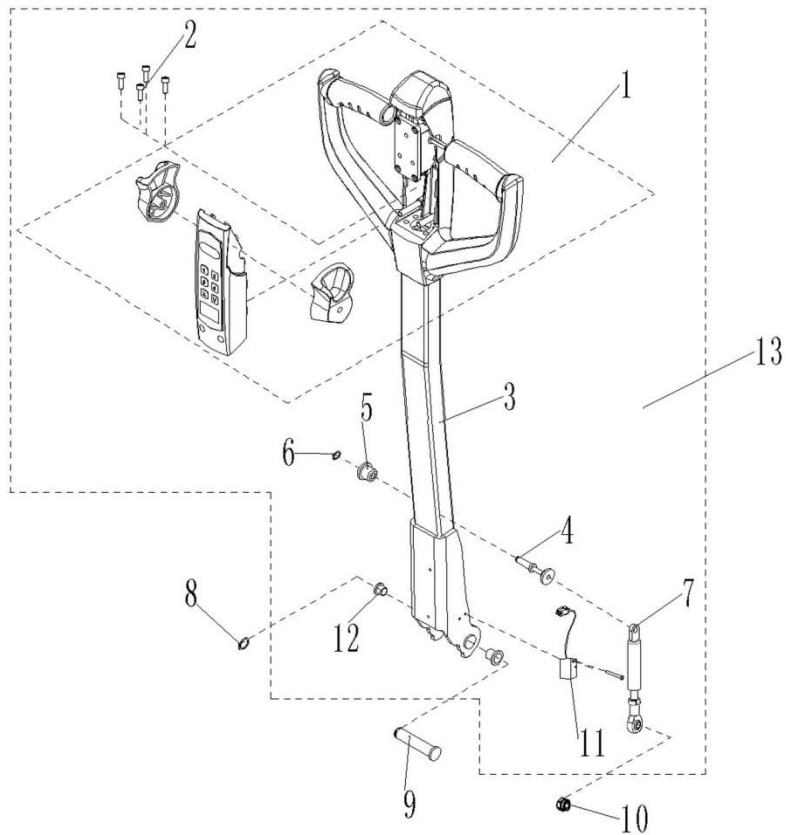
Fig. 11 Tiller head



**Fig. 11 Tiller Head**

| No. | Art No.      | Description                                  | Qty. | Note       |
|-----|--------------|--|------|------------|
| 1   | 502398520009 | Horn   | 1    |            |
| 2   | 502398520010 | Lifting button                               | 1    |            |
| 3   | 502398520011 | Lowering button                              | 1    |            |
| 4   | 502311020022 | Spring 0.6                                   | 6    | Height 16  |
| 5   | 508098520012 | Tiller upper cover                           | 1    |            |
| 6   | 910200200058 | Bolt   | 2    | M8*25      |
| 7   | 910400500006 | Washer                                       | 2    | Φ8         |
| 8   | 508098520013 | Grip   | 2    |            |
| 9   | 508098510028 | Accelerator assembly                         | 1    | components |
| 10  | 910200200003 | Bolt   | 2    | M3*12      |
| 11  | 910400500002 | Washer                                       | 2    | Φ3         |
| 12  | 508098520014 | Left driving knob                            | 1    |            |
| 13  | 508098520015 | Axle external bushing                        | 2    |            |
| 14  | 508098520016 | Axle internal bushing                        | 2    |            |
| 15  | 910200200159 | Screw GB70.1-M5x50-8.8                       | 2    | M5*50      |
| 16  | 910202000001 | Screw  | 3    | M4*6       |
| 17  | 508098520017 | Accelerator fixing plate                     | 1    |            |
| 18  | 508098520018 | Belly button base                            | 1    |            |
| 19  | 508098520019 | Belly internal base                          | 1    |            |
| 20  | 502311020018 | Spring 0.8                                   | 4    | Height 11  |
| 21  | 508098520020 | Right driving knob                           | 1    |            |
| 22  | 508098510029 | Horn micro switch components                 | 1    |            |
| 23  | 508098510030 | Lifting and lowering micro switch components | 1    |            |
| 24  | 508098510031 | Tiller upper cover components                | 1    |            |
| 25  | 508098510032 | Tiller bottom cover components               | 1    |            |
| 26  | 922100100013 | Tiller NL-H300                               | 1    |            |
| 27  | 508098510039 | Display panel assembly                       | 1    |            |
| 28  | 508098510046 | Handle cover fitting                         | 1    |            |

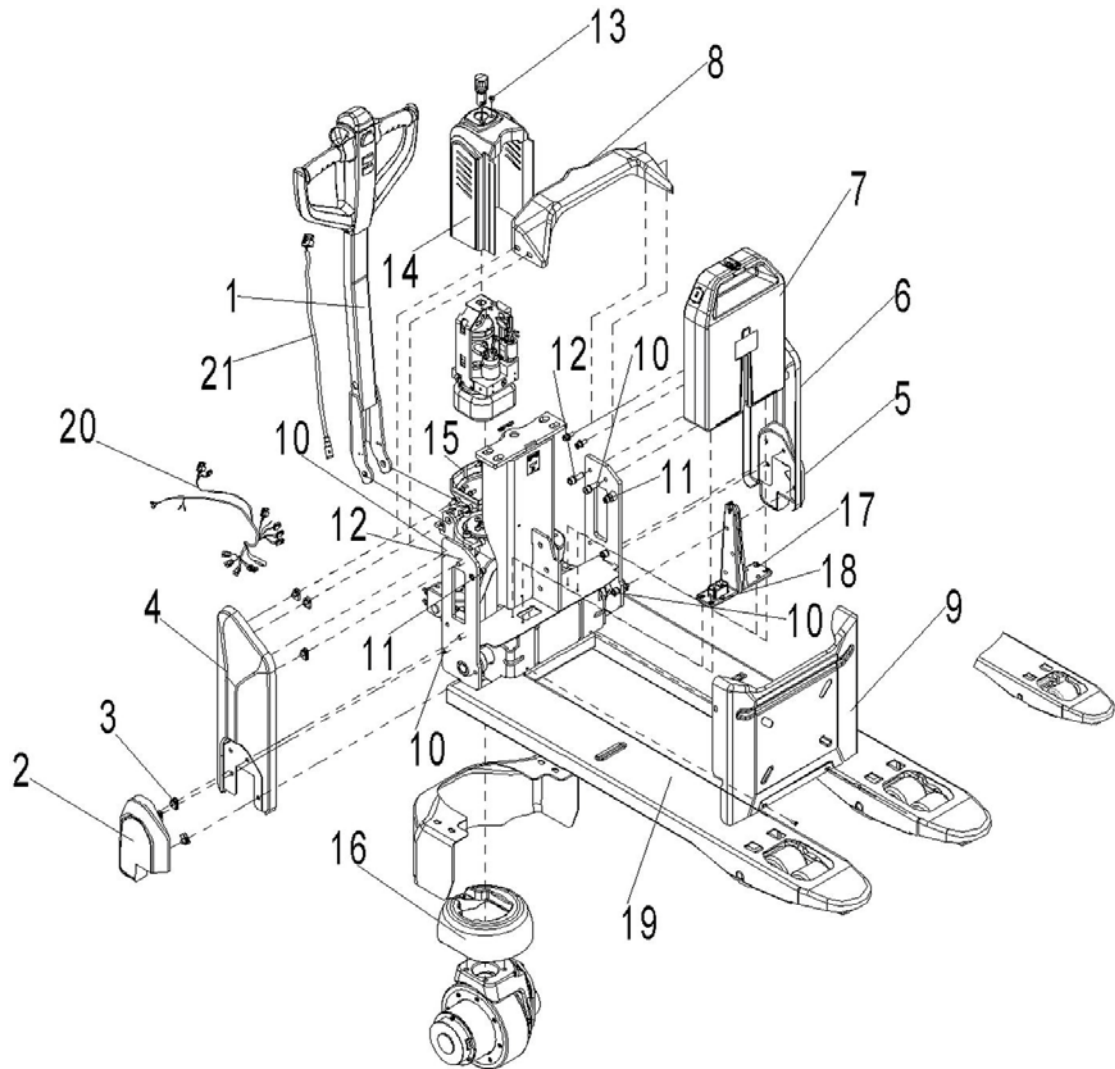
**Fig. 12 Tiller arm components**



**Fig. 12 Tiller Arm Components**

| No. | Art No.      | Description  | Qty. | Note |
|-----|--------------|--|------|------|
| 1   | 922100100013 | Tiller NL-H300   | 1    |      |
| 2   | 910200200040 | Screw GB70.1-M6x35-8.8   | 4    |      |
| 3   | 508011010000 | Tiller arm welding   | 1    |      |
| 4   | 508011010002 | Fixing axle welding  | 1    |      |
| 5   | 508011020005 | Fixing base  | 1    |      |
| 6   | 910401300001 | Circlip GB894.1-8  | 1    |      |
| 7   | 508011010001 | Air spring (D245)  | 1    |      |
| 8   | 910401300006 | Circlip GB894.1-15   | 1    |      |
| 9   | 508011020004 | Pin $\Phi 15 \times 70$  | 1    |      |
| 10  | 910200200057 | Screw GB70.1-M8x20-8.8   | 1    |      |
| 11  | 505633510002 | Proximity switch<br>NBN5-F7-E2(800mm)                              | 1    |      |
| 12  | 940500200001 | Bushing (With<br>shoulder) $\Phi 15 \times \Phi 17 \times 9$ -SF-1 | 2    |      |
| 13  | 508098510035 | Tiller components  | 1    |      |

**Fig. 13 Truck components**



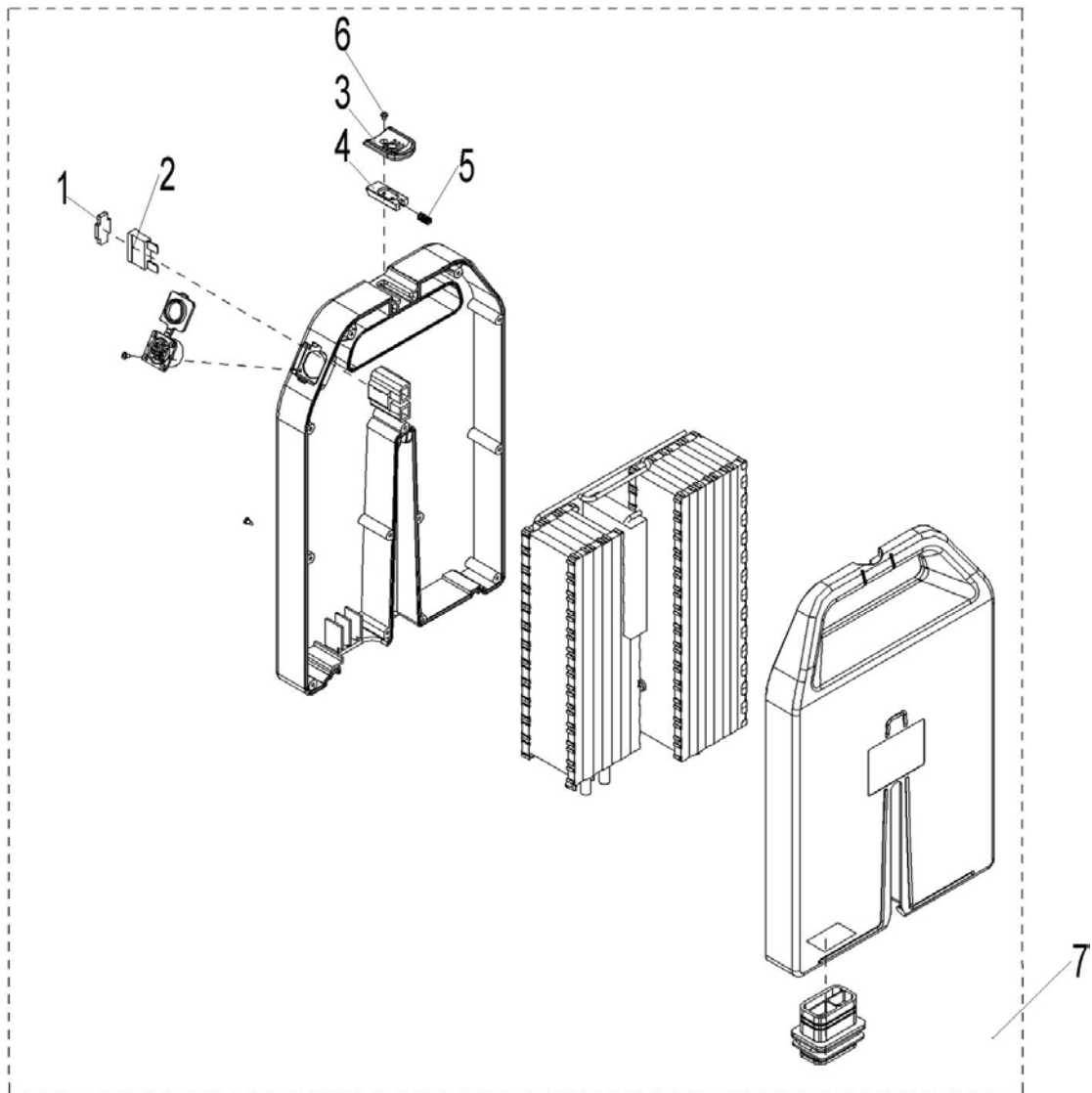
**Fig. 13 Truck Components**

| No | Art No.      | Description                   | Qty | Note |
|----|--------------|-------------------------------|-----|------|
| 1  | 508098510035 | Tiller assembly               | 1   |      |
| 2  | 508038510103 | Small side cover (right)(540) | 1   |      |
|    | 508038510105 | Small side cover (right)(685) | 1   |      |

|    |              |   |    |       |
|----|--------------|---|----|-------|
| 3  | 940400400002 | Nut M8-t(2-4)                                   | 14 |       |
| 4  | 508038510101 | Side panel (right)                              | 1  |       |
| 5  | 508038510102 | Small side cover (left)(540)                    | 1  |       |
|    | 508038510104 | Small side cover (left)(685)                    | 1  |       |
| 6  | 508038510100 | Side panel (left)                               | 1  |       |
| 7  | 508037010003 | Lithium battery 24V20Ah                         | 1  | 20Ah  |
|    | 508037010004 | Lithium battery 24V30Ah                         | 1  | 30Ah  |
|    | 508037010005 | Lithium battery 24V36Ah                         | 1  | 36Ah  |
| 8  | 508038520100 | Top cover                                       | 1  |       |
| 9  | 508038520101 | Front cover                                     | 1  |       |
| 10 | 910200200058 | Screw GB70.1-M8x25-8.8                          | 10 |       |
| 11 | 910200200055 | Screw GB70.1-M8x16-8.8                          | 6  |       |
| 12 | 910400100006 | Flat washer GB97.1-8-200HV                      | 6  |       |
| 13 | 910200400015 | Screw GB70.3-M6x10-8.8                          | 2  |       |
| 14 | 508024020101 | Pump protective cover                           | 1  |       |
| 15 | 508024020102 | Base cover                                      | 1  |       |
| 16 | 508013520101 | Round cover                                     | 1  |       |
| 17 | 920600100045 | Lithium battery guide base                      | 1  |       |
| 18 | 910200500037 | Screw GB818-M5x10-4.8                           | 4  | M5x10 |
| 19 | 508038510004 | Chassis welding (540x800)                       | 1  |       |
|    | 508038530001 | Chassis welding (540x915)                       |    |       |
|    | 508038510005 | Chassis welding (540x1000)                      |    |       |
|    | 508038510000 | Chassis welding (540x1150)                      |    |       |
|    | 508038510009 | Chassis welding (540x1220)                      |    |       |
|    | 508038510008 | Chassis welding (685x800)                       |    |       |
|    | 508038510002 | Chassis welding (685x915)                       |    |       |
|    | 508038510006 | Chassis welding (685x1000)                      |    |       |
|    | 508038510001 | Chassis welding (685x1150)                      |    |       |
|    | 508038510025 | Chassis welding (685x1220)                      |    |       |
| 20 | 508033010000 | Main control wiring harness (CURTIS1212C+ZD)    | 1  |       |
|    | 508033010009 | Main control wiring harness (CURTIS1212C+ZD+JS) | 1  |       |
| 21 | 508033010001 | Tiller control wiring harness                   | 1  |       |



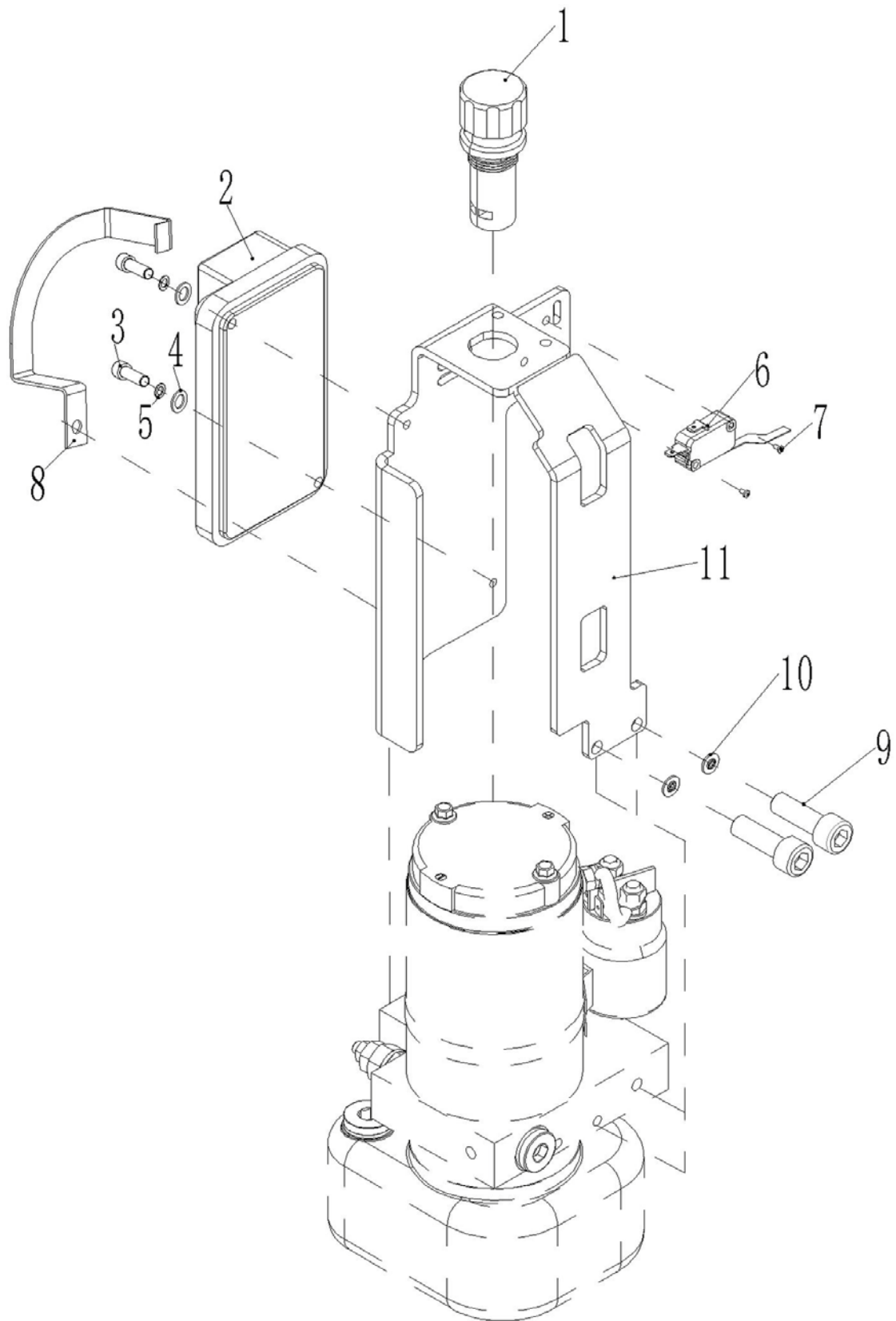
**Fig. 14 Power supply assembly**



**Fig. 14 Power Supply Assembly**

| No. | Art No.      | Description             | Qty. | Note                 |
|-----|--------------|-------------------------|------|----------------------|
| 1   | 508098520021 | Fuse protective cap     | 1    |                      |
| 2   | 508098520022 | Locker                  | 1    |                      |
| 3   | 508098520023 | Aluminium part          | 1    |                      |
| 4   | 508098520024 | Spring                  | 1    |                      |
| 5   | 910200500010 | Screw                   | 2    | Screw GB818-M3x8-4.8 |
| 6   | 508037010003 | Lithium battery 24V20Ah | 1    | 20Ah                 |
|     | 508037010004 | Lithium battery 24V30Ah | 1    | 30Ah                 |
|     | 508037010005 | Lithium battery 24V36Ah | 1    | 36Ah                 |

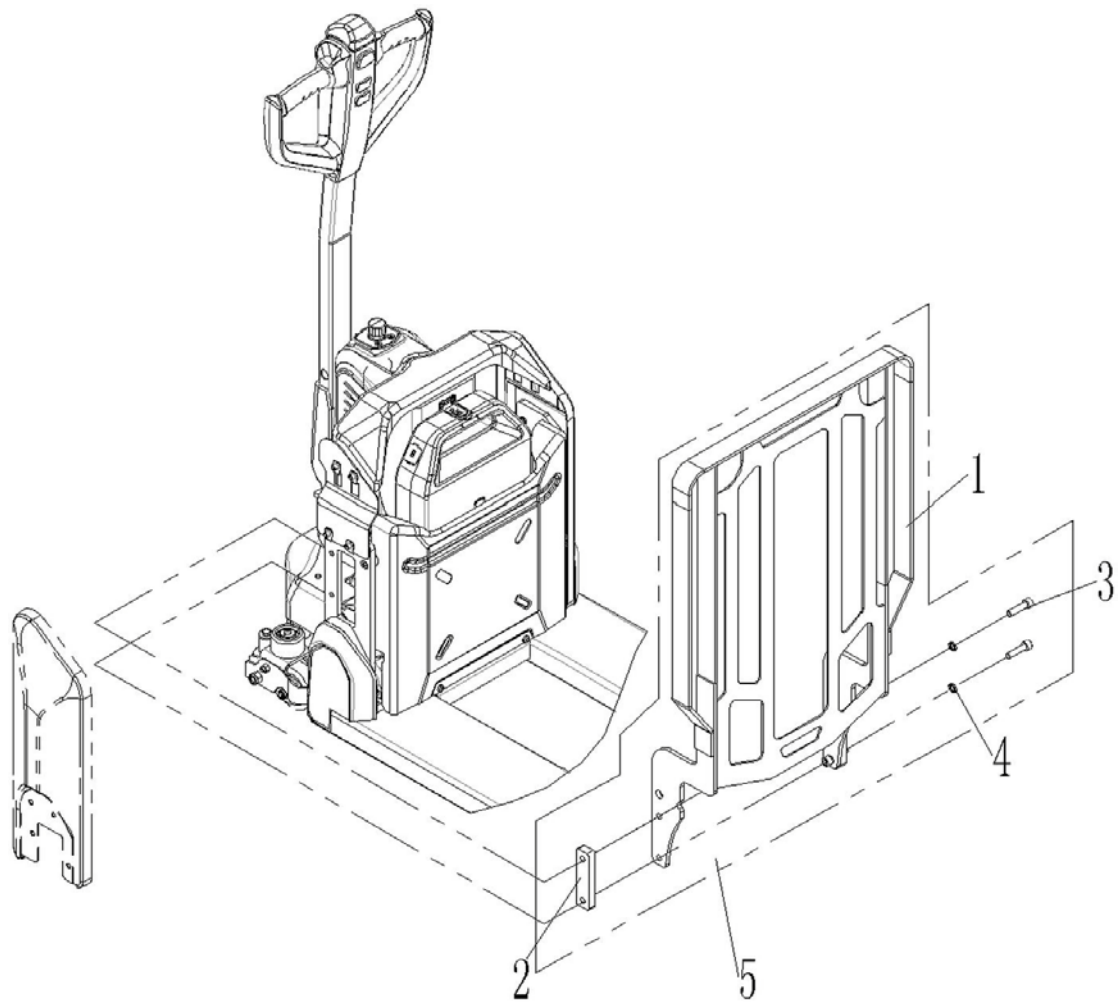
**Fig. 15 Controller components**



**Fig. 15 Controller Components**

| No. | Art No.      | Description                     | Qty. | Note                                |
|-----|--------------|---------------------------------|------|-------------------------------------|
| 1   | 920200100015 | Emergency button<br>CE3T-10R-02 | 1    |                                     |
| 2   | 921400100081 | Controller 1212C-2503           | 1    |                                     |
| 3   | 910200200025 | Screw<br>GB70.1-M5x25-8.8       | 2    | Screw<br>GB70.1-M5x25-8.8-c1B       |
| 4   | 910400100004 | Flat washer<br>GB97.1-5-200HV   | 2    | Flat Washer<br>GB97.1-5-200HV-A-c1B |
| 5   | 910400500004 | Washer GB93-5                   | 2    | Washer GB93-5-c1B                   |
| 6   | 920200300012 | Micro switch<br>V-J163-1C25     | 1    |                                     |
| 7   | 910200200003 | Screw<br>GB70.1-M3x12-8.8       | 2    | Screw<br>GB70.1-M3x12-8.8-c1B       |
| 8   | 508033020000 | Cable clamp                     | 1    |                                     |
| 9   | 910200200036 | Screw<br>GB70.1-M6x20-8.8       | 7    | Screw<br>GB70.1-M6x20-8.8-c1B       |
| 10  | 910400100005 | Flat Washer<br>GB97.1-6-200HV   | 7    | Flat Washer<br>GB97.1-6-200HV-A-c1B |
| 11  | 508024010002 | Controller mounting rack        | 1    |                                     |

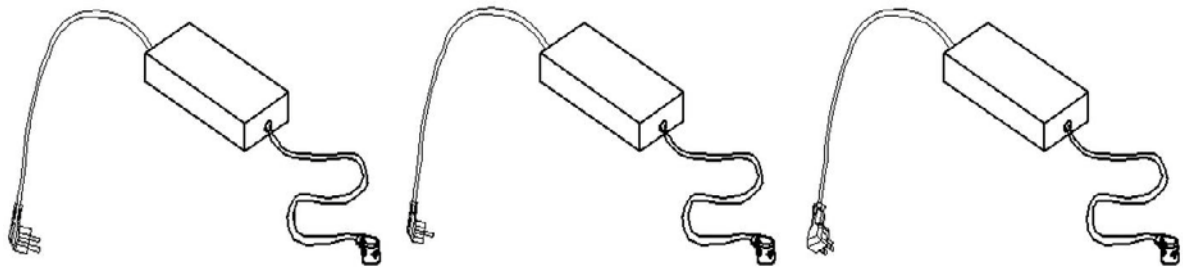
**Fig. 16 Load Backrest Components**



**Fig. 16 Load Backrest Components**

| No. | Art No.      | Description                   | Qty. | Note |
|-----|--------------|-------------------------------|------|------|
| 1   | 508040510000 | Load backrest welding (1070)  | 1    |      |
|     | 508040510001 | Load backrest welding (1220)  | 1    |      |
|     | 508040510002 | Load backrest welding (1525)  | 1    |      |
| 2   | 508040520000 | Plate                         | 2    |      |
| 3   | 910200200079 | Screw GB70.1-M10x40-8.8       | 4    |      |
| 4   | 910400500007 | Spring washer GB93-10         | 4    |      |
| 5   | 508040501000 | Load backrest assembly (1070) | 1    |      |
|     | 508040501001 | Load backrest assembly (1220) | 1    |      |
|     | 508040501002 | Load backrest assembly (1525) | 1    |      |

**Fig. 17 Charger**



Chinese market

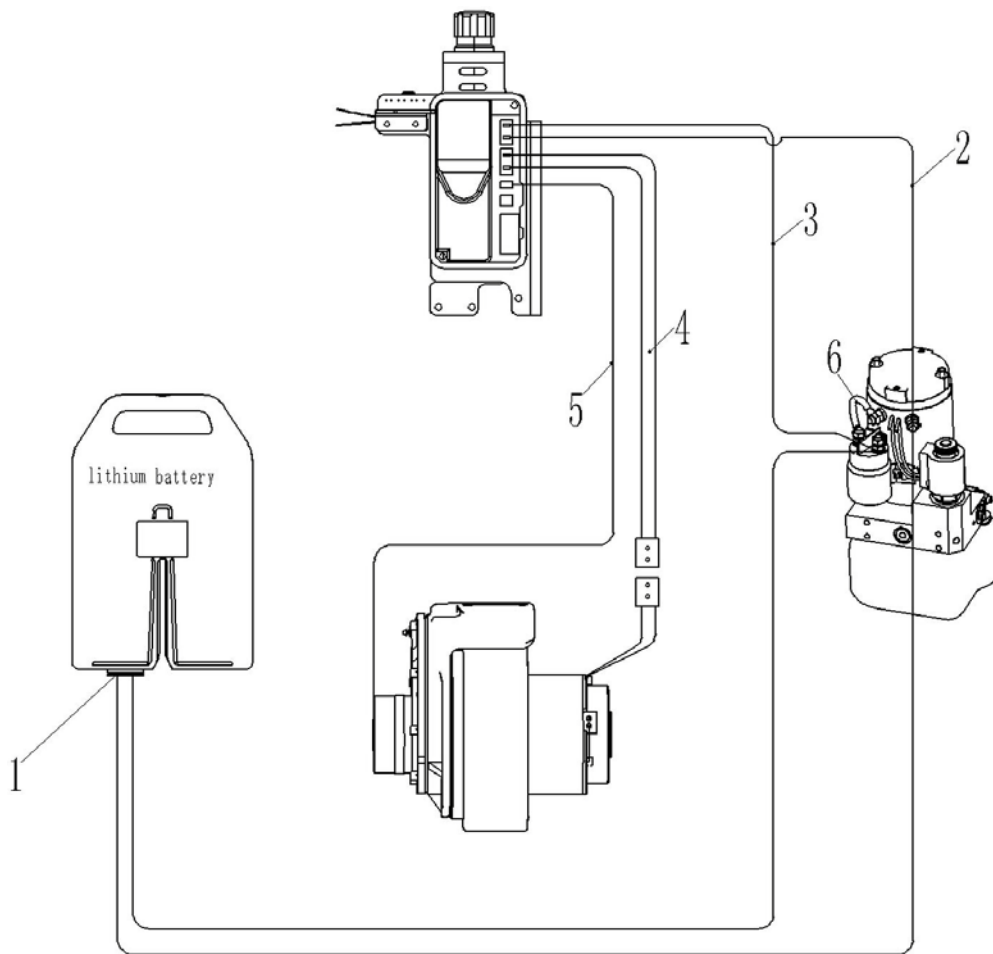
EU market

US market

**Fig. 17 Charger**

| No.          | Art No.                        | Description                    | Qty.      | Note         |
|--------------|--------------------------------|--------------------------------|-----------|--------------|
| 1            | 508036510011                   | Lithium battery charger 24V5A  | 1         | Asia Chinese |
|              | 508036510012                   | Lithium battery charger 24V5A  | 1         | Asia English |
|              | 508036510000                   | Lithium battery charger 24V8A  | 1         | Asia Chinese |
|              | 508036510001                   | Lithium battery charger 24V8A  | 1         | Asia English |
|              | 508036510002                   | Lithium battery charger 24V8A  | 1         | ENG          |
|              | 508036510003                   | Lithium battery charger 24V8A  | 1         | US           |
|              | 508036510004                   | Lithium battery charger 24V8A  | 1         | EU           |
|              | 508036510005                   | Lithium battery charger 24V8A  | 1         | AUS          |
|              | 508036510006                   | Lithium battery charger 24V8A  | 1         | ITY          |
|              | 508036510007                   | Lithium battery charger 24V8A  | 1         | Sweden       |
|              | 508036510008                   | Lithium battery charger 24V8A  | 1         | Israel       |
|              | 508036510009                   | Lithium battery charger 24V8A  | 1         | Brazil       |
|              | 508036510010                   | Lithium battery charger 24V8A  | 1         | Argentina    |
|              | 508036510013                   | Lithium battery charger 24V12A | 1         | Asia         |
|              | 508036510014                   | Lithium battery charger 24V12A | 1         | ENG          |
|              | 508036510015                   | Lithium battery charger 24V12A | 1         | US           |
|              | 508036510016                   | Lithium battery charger 24V12A | 1         | EU           |
|              | 508036510017                   | Lithium battery charger 24V12A | 1         | AUS          |
|              | 508036510018                   | Lithium battery charger 24V12A | 1         | ITY          |
|              | 508036510019                   | Lithium battery charger 24V12A | 1         | Sweden       |
|              | 508036510020                   | Lithium battery charger 24V12A | 1         | Israel       |
|              | 508036510021                   | Lithium battery charger 24V12A | 1         | Brazil       |
| 508036510022 | Lithium battery charger 24V12A | 1                              | Argentina |              |

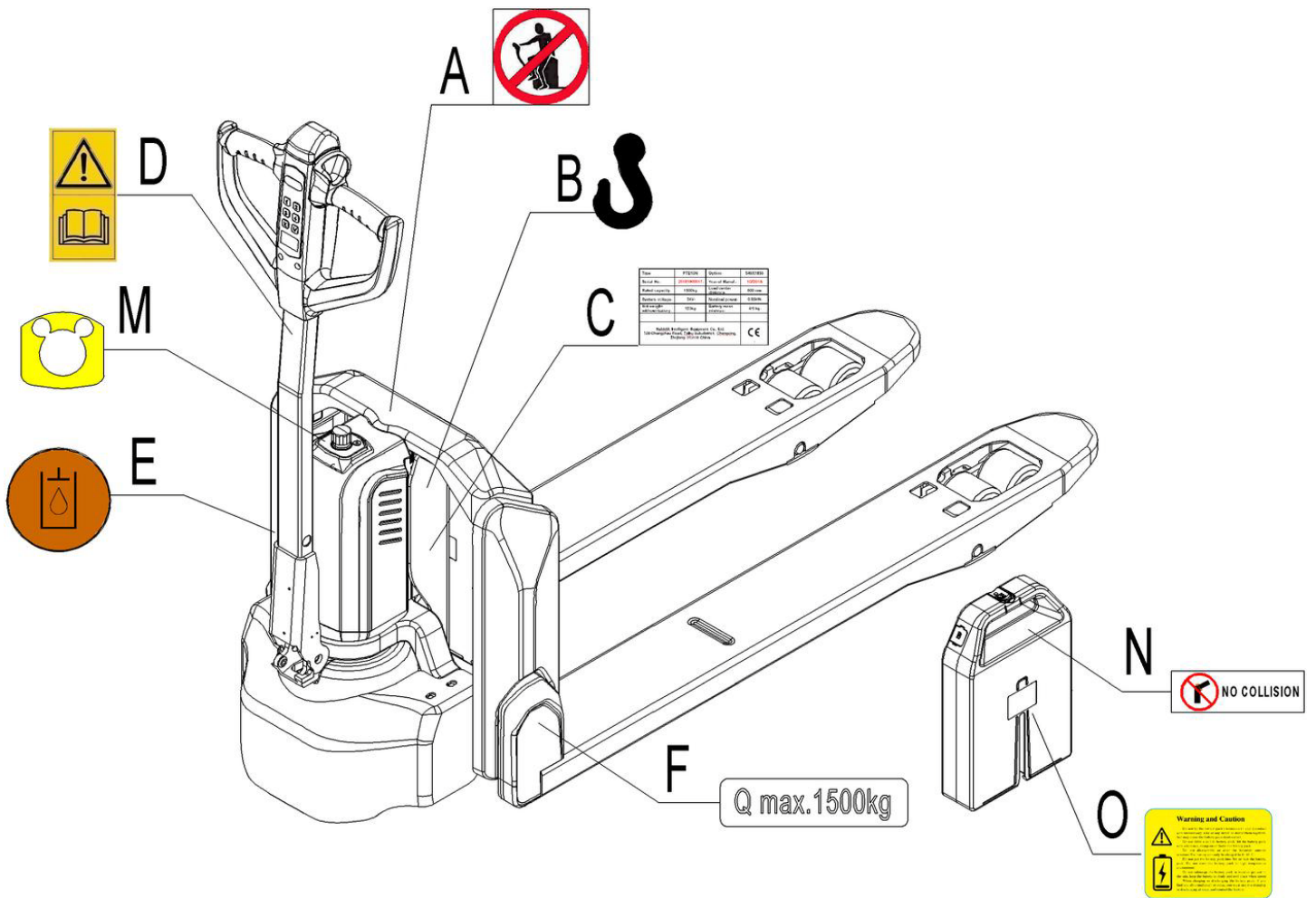
**Fig. 18 Wiring harness**



**Fig. 18 Wiring Harness**

| No. | Art No.      | Description                  | Qty. | Note |
|-----|--------------|------------------------------|------|------|
| 1   | 508033010003 | Main plug wiring harness     | 1    |      |
| 2   | 508033010004 | Controller B+ wiring harness | 1    |      |
| 3   | 508033010005 | Controller B- wiring harness | 1    |      |
| 4   | 508033010006 | Motor main wiring harness    | 1    |      |
| 5   | 508033010007 | Brake main wiring harness    | 1    |      |
| 6   | 508033010010 | Pump motor B+ wiring harness | 1    |      |

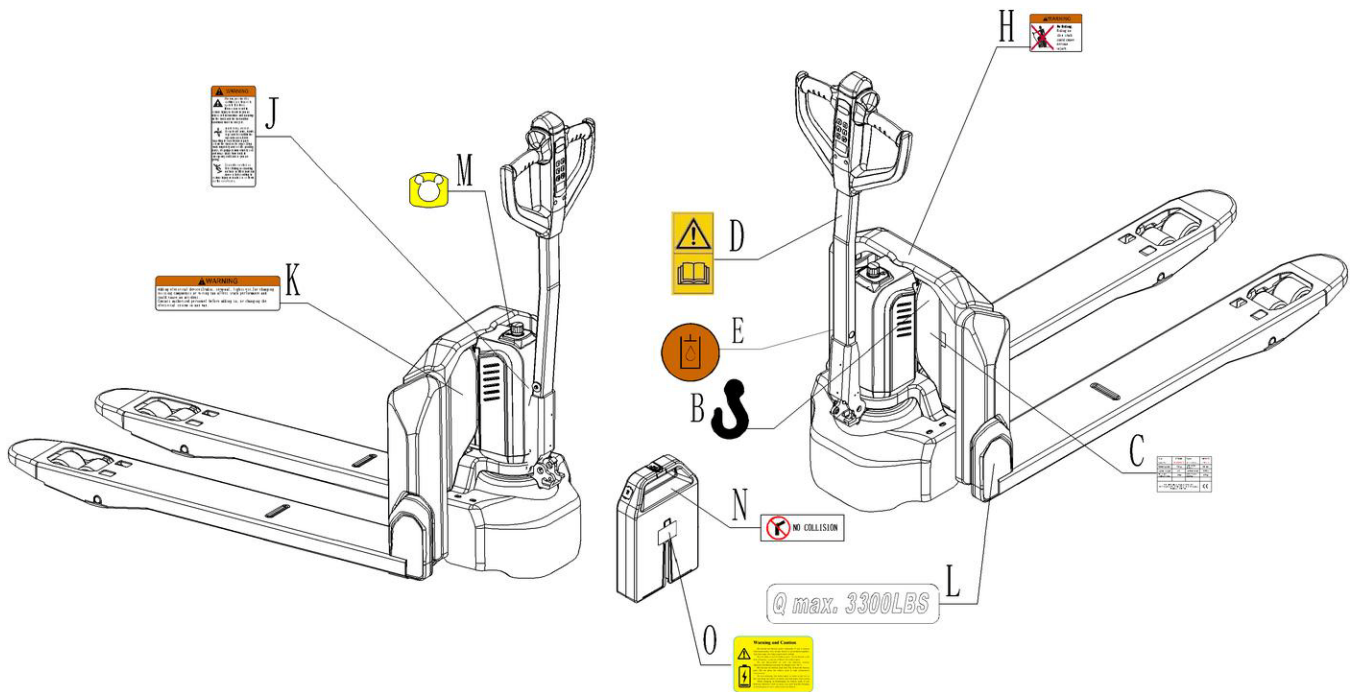
**Fig. 19 Sticker (EU)**



**Fig. 19 Sticker (EU)**

| No. | Art No.      | Description                                   | Qty. | Note |
|-----|--------------|---|------|------|
| A   | 941200100003 | "No passengers" decal                         | 1    |      |
| B   | 941200300001 | Crane hook label                              | 1    |      |
| C   | 508047520002 | CE sticker                                    | 1    |      |
| D   | 941200300002 | Sticker to read and follow these instructions | 1    |      |
| E   | 941200300003 | Filling sticker                               | 1    |      |
| F   | 941200200020 | Capacity sticker                              | 1    |      |
| M   | 508047020000 | Emergency button sticker                      | 1    |      |
| N   | 508047020002 | Warning sticker                               | 1    |      |
| O   | 508098520025 | Warning sticker                               | 1    |      |

**Fig. 20 Sticker (US)**



**Fig. 20 Sticker (US)**

| No. | Art No.      | Description                                   | Qty. | Note |
|-----|--------------|---|------|------|
| B   | 941200300001 | Crane hook label                              | 1    |      |
| C   | 508047520003 | CE sticker                                    | 1    |      |
| D   | 941200300002 | Sticker to read and follow these instructions | 1    |      |
| E   | 941200300003 | Filling sticker                               | 1    |      |
| H   | 941200100011 | Warning sticker                               | 1    |      |
| J   | 941200100009 | Warning sticker                               | 1    |      |
| K   | 941200100010 | Warning sticker                               | 1    |      |
| L   | 941200200035 | Capacity sticker                              | 1    |      |
| M   | 508047020000 | Emergency button sticker                      | 1    |      |
| N   | 508047020002 | Warning sticker                               | 1    |      |
| O   | 508098520025 | Warning sticker                               | 1    |      |



### Easy worn parts list

| No. | Art No.      | Description                                      | Qty.        | Fig./Position | Note |
|-----|--------------|--|-------------|---------------|------|
| 1   | 940500100032 | Bushing $\Phi 25 \times \Phi 29 \times 25$ -SF-1 | 2           | Fig. 1/4      |      |
| 2   | 940500100006 | Bushing $\Phi 16 \times \Phi 18 \times 15$ -SF-1 | 8           | Fig. 1/9      |      |
| 3   | 508098510037 | Push rod components (800)                        | 2           | Fig. 1/16     | 800  |
|     | 508098510005 | Push rod components (915)                        |             |               | 915  |
|     | 508098510040 | Push rod components (1000)                       |             |               | 1000 |
|     | 508098510000 | Push rod components (1150)                       |             |               | 1150 |
|     | 508098510041 | Push rod components (1220)                       |             |               | 1220 |
| 4   | 508098510001 | Rock arm components (540)                        | 1           | Fig. 1/17     |      |
| 5   | 508098510038 | Push rod kits (800)                              | 2           | Fig. 1/18     | 800  |
|     | 508098510006 | Push rod kits (915)                              |             |               | 915  |
|     | 508098510043 | Push rod kits (1000)                             |             |               | 1000 |
|     | 508098510002 | Push rod kits (1150)                             |             |               | 1150 |
|     | 508098510044 | Push rod kits (1220)                             |             |               | 1220 |
| 6   | 508098510004 | Push rod fork components                         | 2           | Fig. 1/19     |      |
| 7   | 940500100032 | Bushing $\Phi 25 \times \Phi 29 \times 25$ -SF-1 | 4           | Fig. 2/4      |      |
| 8   | 940500100006 | Bushing $\Phi 16 \times \Phi 18 \times 15$ -SF-1 | 8           | Fig. 2/8      |      |
| 9   | 508098510003 | Rock arm components (685)                        | 1           | Fig. 2/16     |      |
| 10  | 508098510037 | Push rod components (800)                        | 2           | Fig. 2/17     | 800  |
|     | 508098510005 | Push rod components (915)                        |             |               | 915  |
|     | 508098510040 | Push rod components (1000)                       |             |               | 1000 |
|     | 508098510000 | Push rod components (1150)                       |             |               | 1150 |
|     | 508098510041 | Push rod components (1220)                       |             |               | 1220 |
| 11  | 508098510038 | Push rod kits (800)                              | 2           | Fig. 2/18     | 800  |
|     | 508098510006 | Push rod kits (915)                              |             |               | 915  |
|     | 508098510043 | Push rod kits (1000)                             |             |               | 1000 |
|     | 508098510002 | Push rod kits (1150)                             |             |               | 1150 |
|     | 508098510044 | Push rod kits (1220)                             |             |               | 1220 |
| 12  | 508098510004 | Push rod fork components                         | 2           | Fig. 2/19     |      |
| 13  | 910700200019 | Bearing GB276-6204-2RS                           | 8/4(Tandem) | Fig. 3/4      |      |

|    |              |   |               |            |             |
|----|--------------|---|---------------|------------|-------------|
|    |              |   | /Single)      |            |             |
| 14 | 940300300005 | Roller $\Phi$ 80x70 (Steel core PU)                     | 4(Tandem)     | Fig. 3/5   |             |
| 15 | 940300300023 | Roller $\Phi$ 80x93 (Steel core PU)                     | 2(Single)     | Fig. 3/10  |             |
| 16 | 940500200003 | Bushing (With shoulder) $\Phi$ 18x<br>$\Phi$ 20x12-SF-1 | 4<br>(Tandem) | Fig. 3/11  |             |
| 17 | 940500100012 | Bushing $\Phi$ 20x $\Phi$ 22x12-SF-1                    | 4             | Fig. 3/12  |             |
| 18 | 502398510014 | Wheel set accessories(single)                           | 2             | Fig. 3/13  |             |
| 19 | 502398510003 | Roller kit  | 2             | Fig. 3/14  |             |
| 20 | 502398510020 | Wheel accessories(double)                               | 2             | Fig. 3/15  |             |
| 21 | 502398510017 | Wheel accessories(single)                               | 2             | Fig. 3/16  |             |
| 22 | 502398510019 | Arm block assembly(75mm<br>Double wheel frame)          | 2             | Fig. 3/17  | Low profile |
| 23 | 502398510002 | Wheel set accessories(double)                           | 4             | Fig. 3/18  |             |
| 24 | 910700200058 | Bearing GB276-6013-2RS                                  | 1             | Fig. 4/4   |             |
| 25 | 910700600044 | Bearing GB297-32913                                     | 1             | Fig. 4/6   |             |
| 26 | 910800100098 | O ring  | 1             | Fig. 6/2   | 13.5x1.8    |
| 27 | 910800100098 | O ring  | 1             | Fig. 7/5   | 13.5x1.8    |
| 28 | 910800100098 | O ring  | 1             | Fig. 8/9   | 13.5x1.8    |
| 29 | 910700200018 | Bearing GB276-6203-2RS                                  | 2             | Fig. 9/3   |             |
| 30 | 940300300017 | Roller $\Phi$ 80x30(Steel core PU)                      | 1             | Fig. 9/4   |             |
| 31 | 508016510000 | Side roller components<br>$\Phi$ 80x30(PU)              | 1             | Fig. 9/5   |             |
| 32 | 502398510015 | Roller components                                       | 1             | Fig. 9/6   |             |
| 33 | 502398510016 | Spring components                                       | 1             | Fig. 9/7   |             |
| 34 | 940500200001 | Bushing (With shoulder) $\Phi$ 15x<br>$\Phi$ 17x9-SF-1  | 2             | Fig. 12/12 |             |