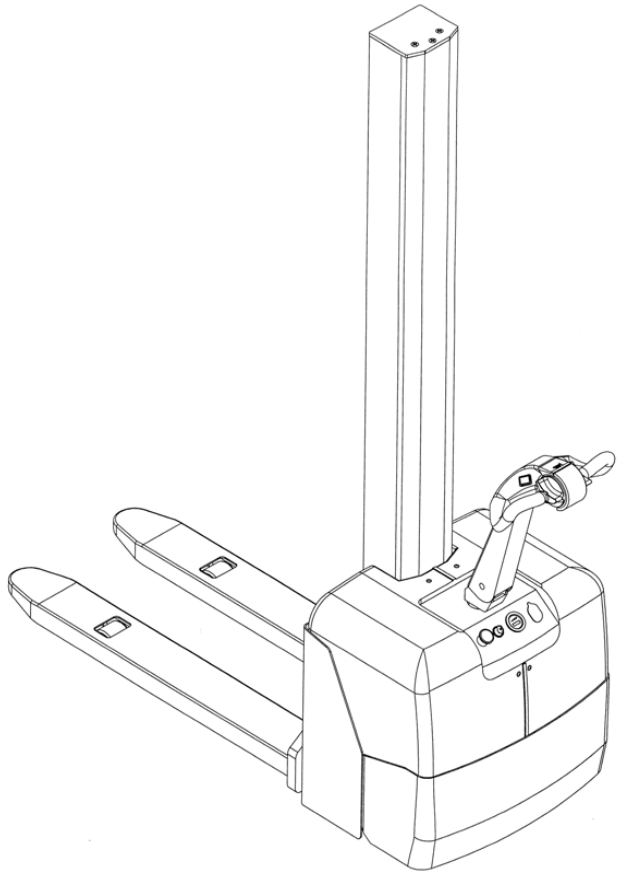


CME10-BPT-004_EN



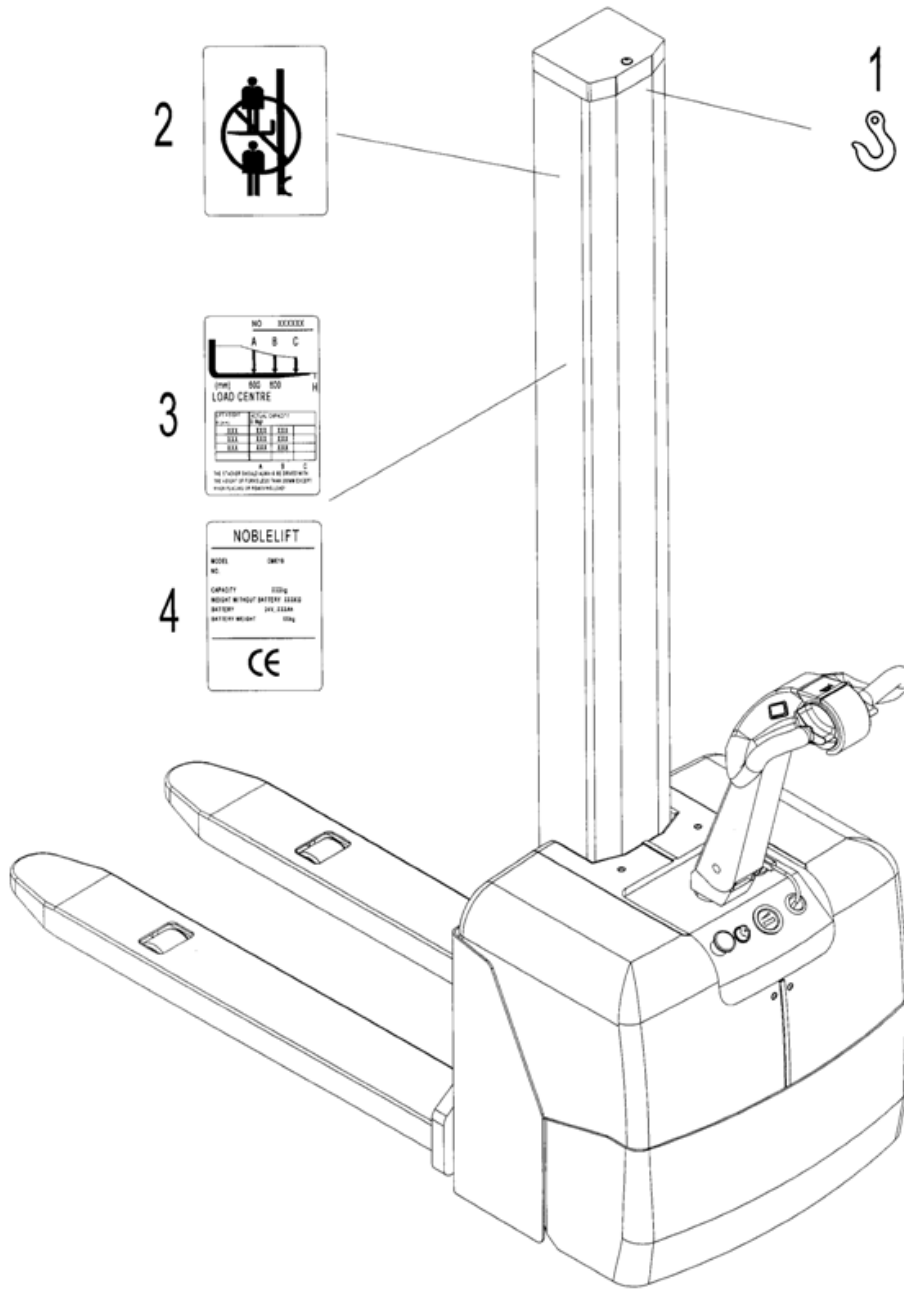
Parts & Components Manual
CME10

Date: January,2013

Content

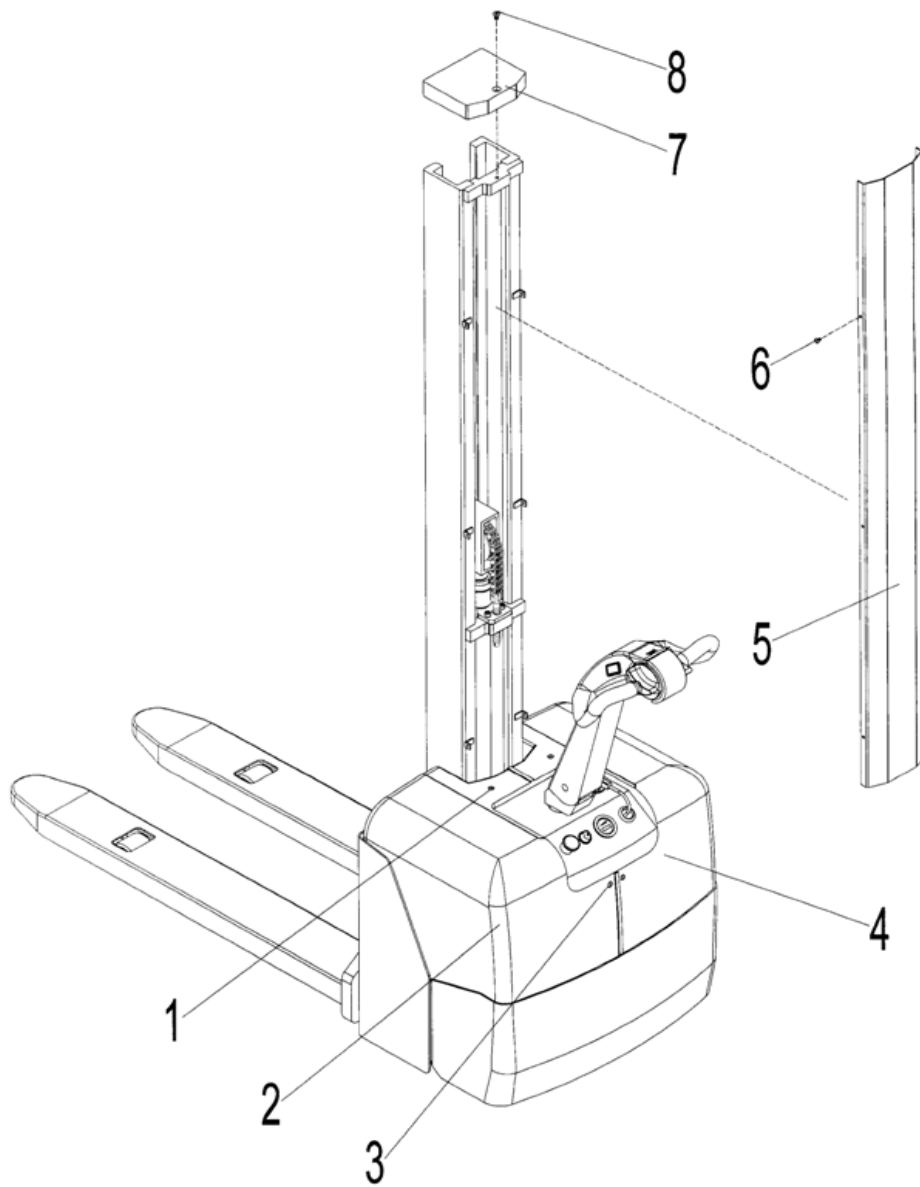
01-1	Label	1
01-2	outline	2
01-3	Chassis	3
01-4	subplate for oil tank.....	4
01-5	Switch board	5
01-6	Switch panel	6
02-1	Driving system	7
02-2	Driving wheel.....	9
03-1	Steering wheel	11
03-2	Single load roller	13
04-1	Noblelift handle.....	14
04-2	Can-bus handle.....	16
05-1	Main wiring harness.....	20
05-2	Control wiring harness	21
05-3	General parts for electrical equipment	23
05-4	Spare parts for Built-in charger	25
05-5	Spare parts for Built-out charger	27
05-6	Spare part for the assembled controller(Noblelift handle)	29
05-7	Spare part for the assembled controller(CANBUS handle).....	31
06-1	Pipeline system	33
06-2	Cylinder.....	34
06-3	Pump station system.....	35
07-1	Chain assembly	36
07-2	Pallet frame.....	38
08-1	Backrest (option).....	39

01-1 Label



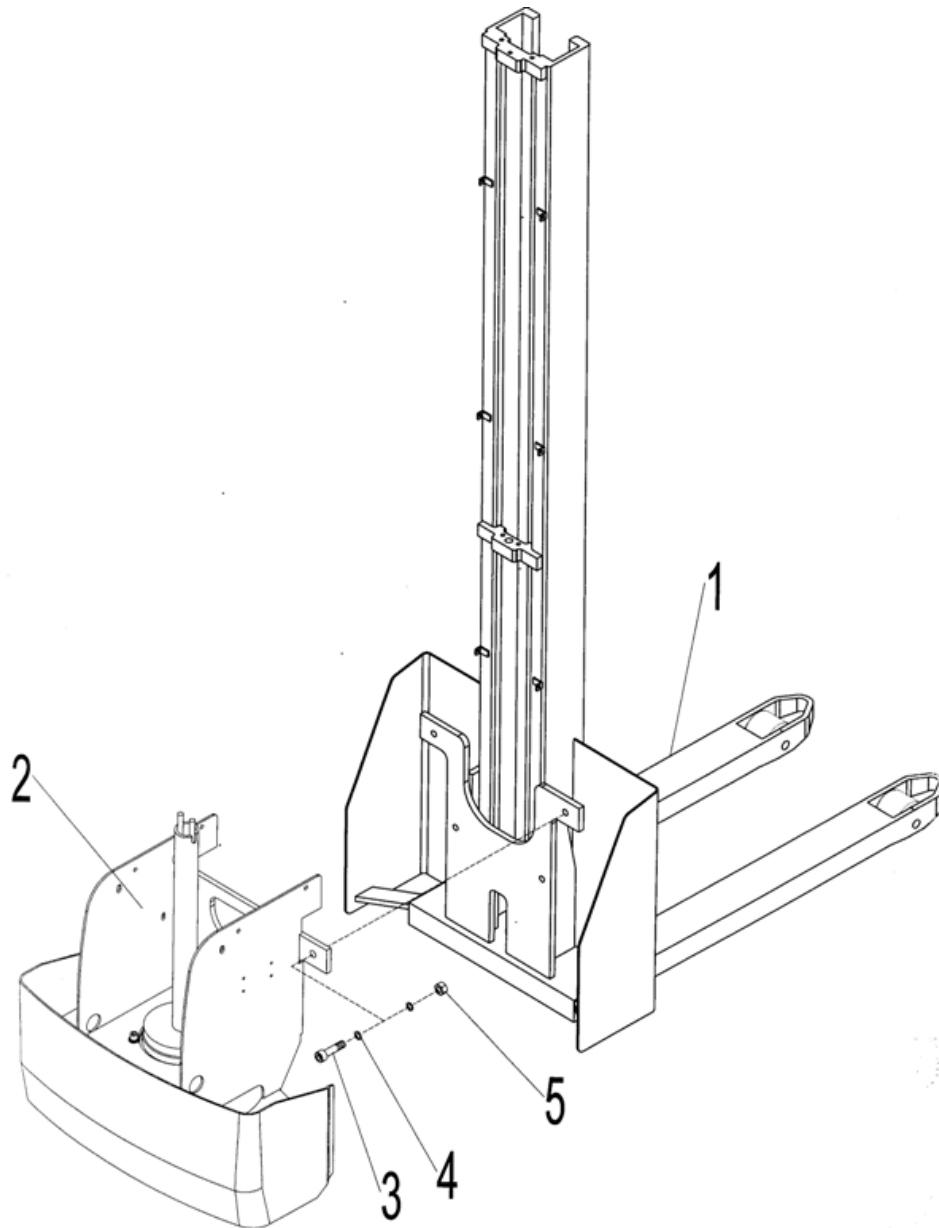
No.	Item description	Qty	Remarks
1	Hook label	1	
2	Warning label	2	
3	Circuit diagram label	2	
4	Nameplate label	2	

01-2 outline



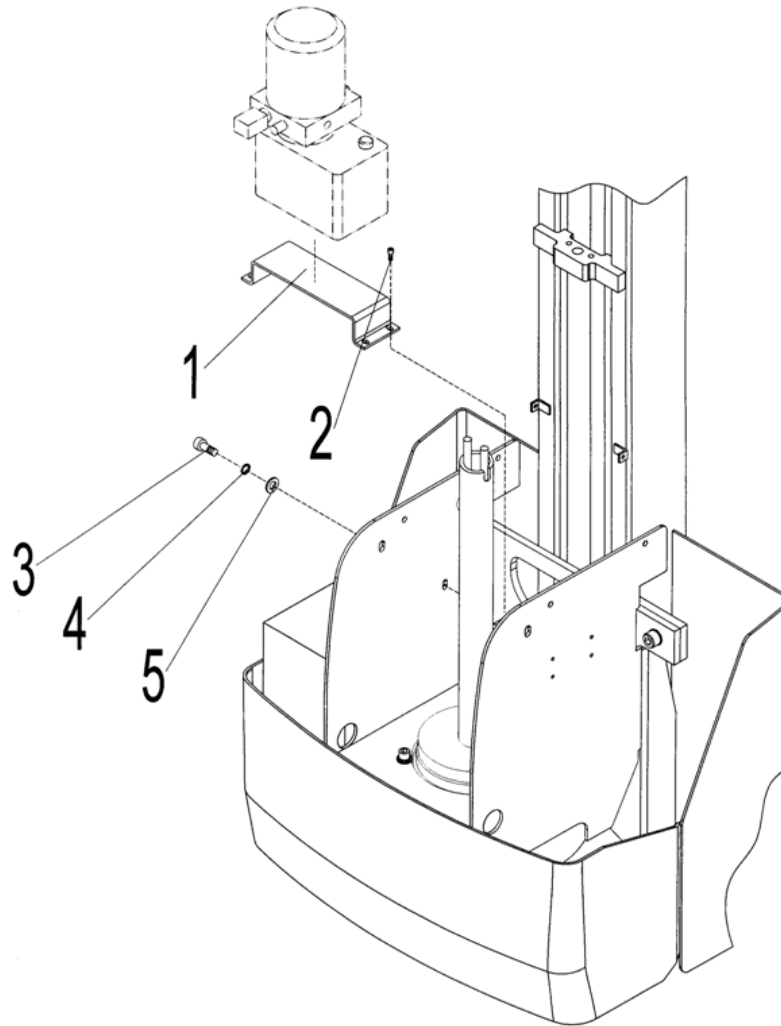
No.	Part Number	Item	Quantity	Remarks
1	1000423001	Screw	2	
2	2100403002	Left cover	1	
3	1000423003	Screw	2	
4	2100403001	Right cover	1	
5	2100604001	Mast shield plate	1	2000
	2100604006	Mast shield plate	1	1600
	2100604007	Mast shield plate	1	800
6	0000023024	Screw	6	
7	2100604002	covered plate	1	
8	3066402001	Screw	1	

01-3 Chassis



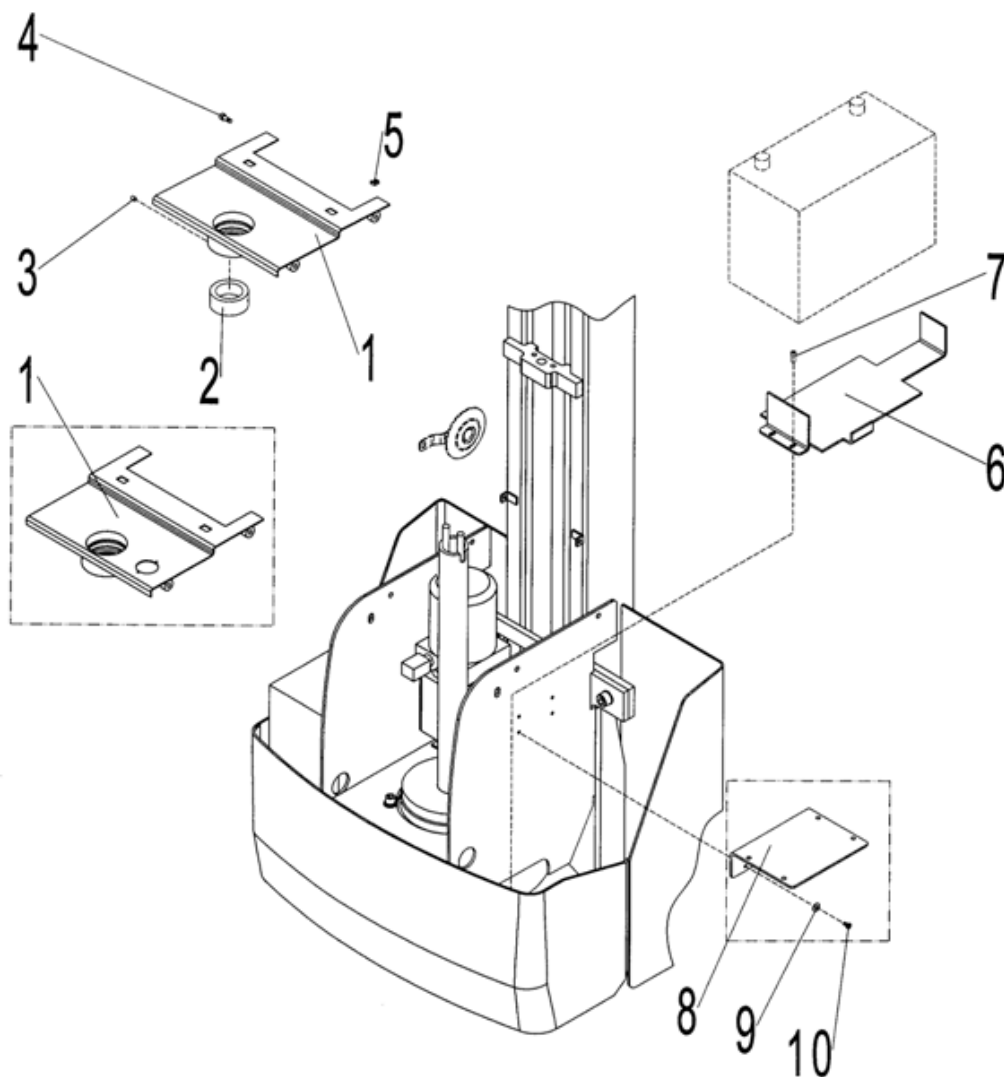
No.	Part Number	Item	Quantity	Remarks
1	2100601006	Frame assembly	1	2000
	2100601007	Frame assembly	1	1600
	2100601008	Frame assembly	1	800
2	2100401001	Electric box assembly	1	
3	0000023102	Screw	4	
4	0000023029	Flat washer	8	
5	0000024096	Locking nut	4	

01-4 subplate for oil tank



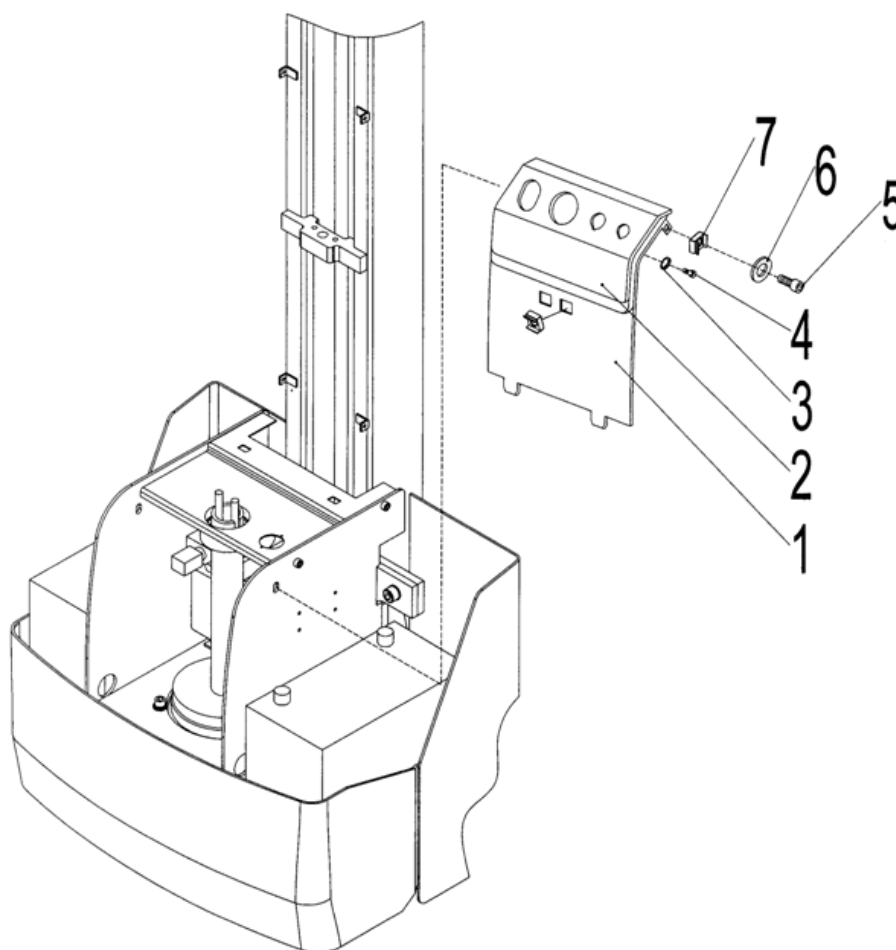
No.	Part Number	Item	Quantity	Remarks
1	2100404001	subplate for oil tank	1	
2	0000023053	Screw	4	
3	0000023067	Screw	2	
4	0000025001	Spring washer	2	
5	0000025011	Flat washer	2	

01-5 Switch board



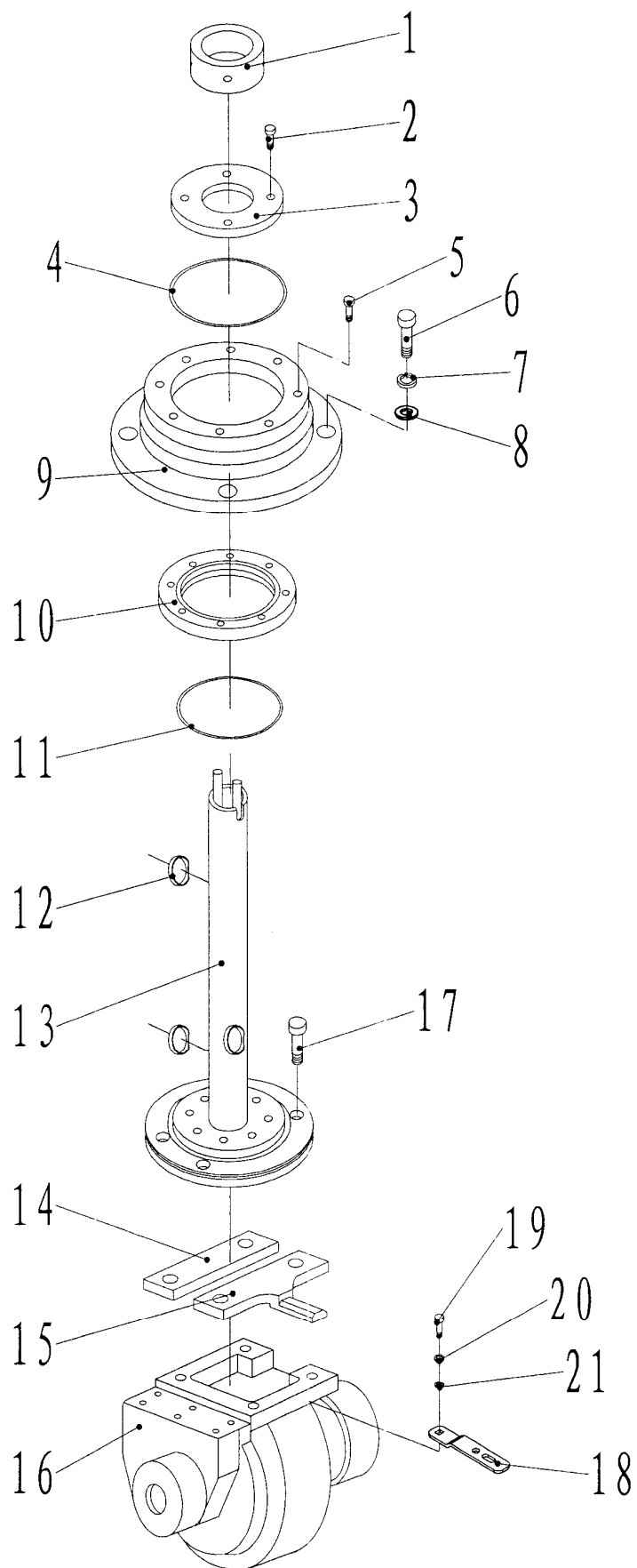
No.	Part Number	Item	Quantity	Remarks
1	2100401004	Upper board	1	Built-out
1	2100401005	Upper board	1	Built-in
2	1000213001	Bushing	1	
3	0000030002	Grease cup	1	
4	0000023067	Screw	4	
5	1000424001	Nut	2	
6	2100402001	Base plate for battery (left)	1	
	2100402002	Base plate for battery (right)	1	
7	0000023042	Screw	4	
8	2100402003	Support for charger	1	Built-in
9	0000025015	Spring washer	4	
10	0000023516	Screw	4	

01-6 Switch panel



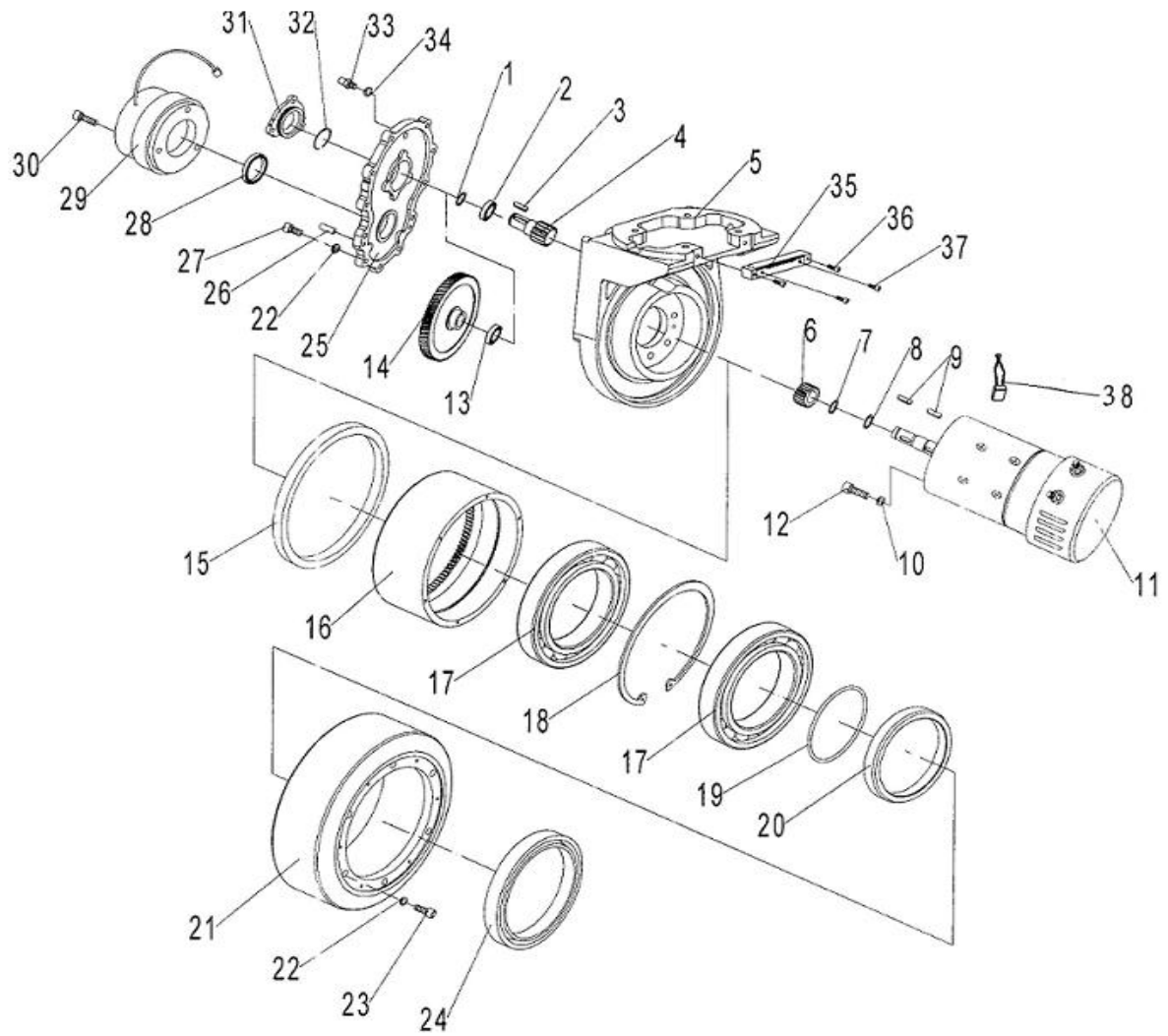
No.	Part Number	Item	Quantity	Remarks
1	1000401011	Support for controller	1	
2	1000403013	Switch cover	1	
3	0000025014	Flat washer	4	
4	0000023039	Screw	4	
5	0000023080	Inner screw	2	
6	0000025002	Flat washer	2	
7	1000424001	Flexible nut	4	

02-1 Driving system



No.	Part Number	Item	Quantity	Remarks
1	1010213001	Bushing	1	
2	0000023020	Inner screw	4	
3	1000207001	Cover for bearing	1	
4	0000022001	O-ring	1	
5	0000023030	Inner screw	4	
6	0000023034	Inner screw	4	
7	0000025002	Flat washer	4	
8	0000023006	Spring washer	4	
9	1000205002	Bearing seat	1	
10	1000227001	Bearing	1	
11	1000225001	Bearing washer	2	
12	1000218001	Rubber cover	2	
13	1000201001	Long axle assembly	1	
14	1000204001	Linking plate	1	
15	1000205001	Positioning block	1	
16	1000200002	DC driving assembly	1	
17	0000023029	Inner screw	4	
18	1000204002	Fixed plate for connector	1	
19	0000023059	Inner screw	2	
20	0000025018	Spring washer	2	
21	0000025019	Flat washer	2	

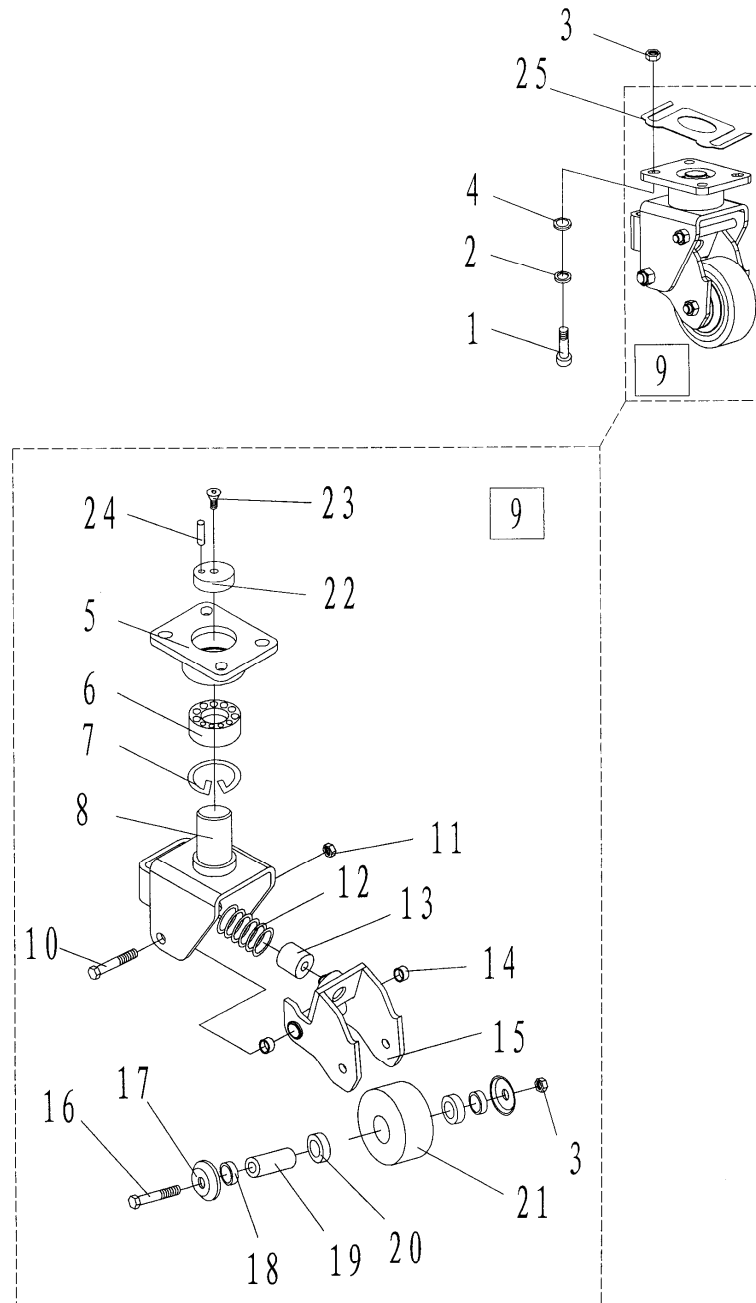
02-2 Driving wheel



No.	Part Number	Item	Quantity	Remarks
1	0000026003	Retaining ring	1	
2	0000027001	Bearing	1	
3	0000036001	Flat pin	1	
4	1000207002	Axle for Gear box	1	
5	1000205003	reduction gearbox body	1	

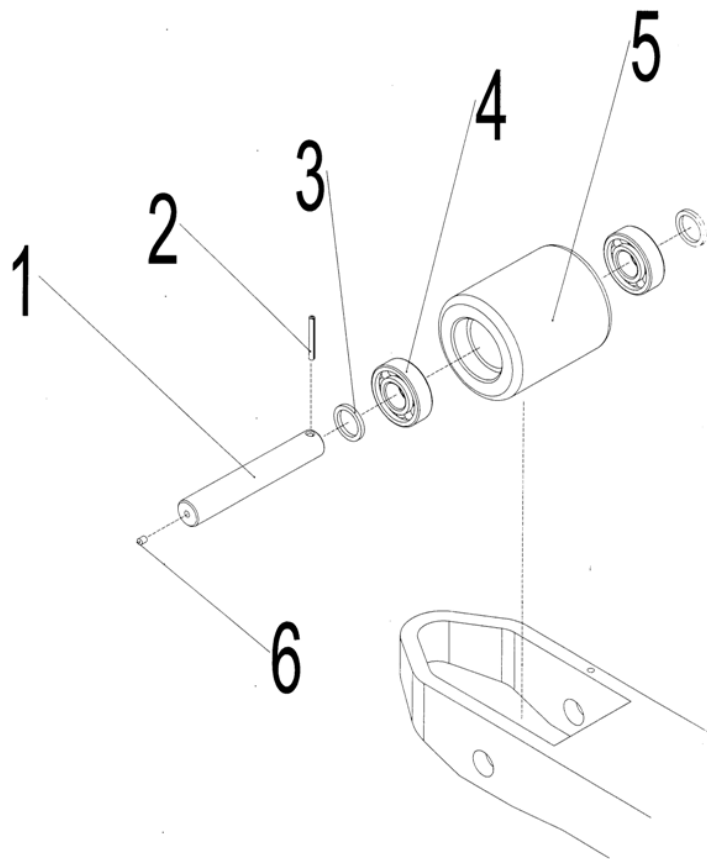
6	1000209001	Small gear box	1	
7	0000026004	Retaining ring	1	
8	0000026005	Retaining ring	1	
9	0000036002	Flat pin	2	
10	0000025020	washer	5	
11	1000234001	DC motor	1	
12	0000023061	Inner screw	5	
13	0000027009	Bearing	1	
14	1000209002	Big gear	1	
15	0000022007	Oil seal for frame	1	
16	1000210001	Inner ring gear	1	
17	0000027010	Bearing	2	
18	0000026006	Retaining ring	1	
19	0000022008	O-ring	1	
20	1000222001	Oil seal seat	1	
21	1000216001	Wheel	1	
22	0000025006	Spring washer	21	
23	0000023062	Inner screw	10	
24	0000022009	Oil seal for frame	1	
25	1000205004	Cover for gear box	1	
26	0000028008	cylindrical pin	2	
27	0000023063	Inner screw	11	
28	1000222002	Oil seal for frame	1	
29	1000234003	Electromagnetic brake	1	
30	0000023064	Inner screw	6	
31	1000205005	Cover	1	
32	0000026007	Retaining ring	1	
33	1000237001	air plug	1	
34	0000025021	Assembly washer	1	
35	1000237002	Fixed plate for cable	1	
36	0000023065	Screw	2	
37	0000023066	Screw	2	
38	9000004717	Brush	4	

03-1 Steering wheel



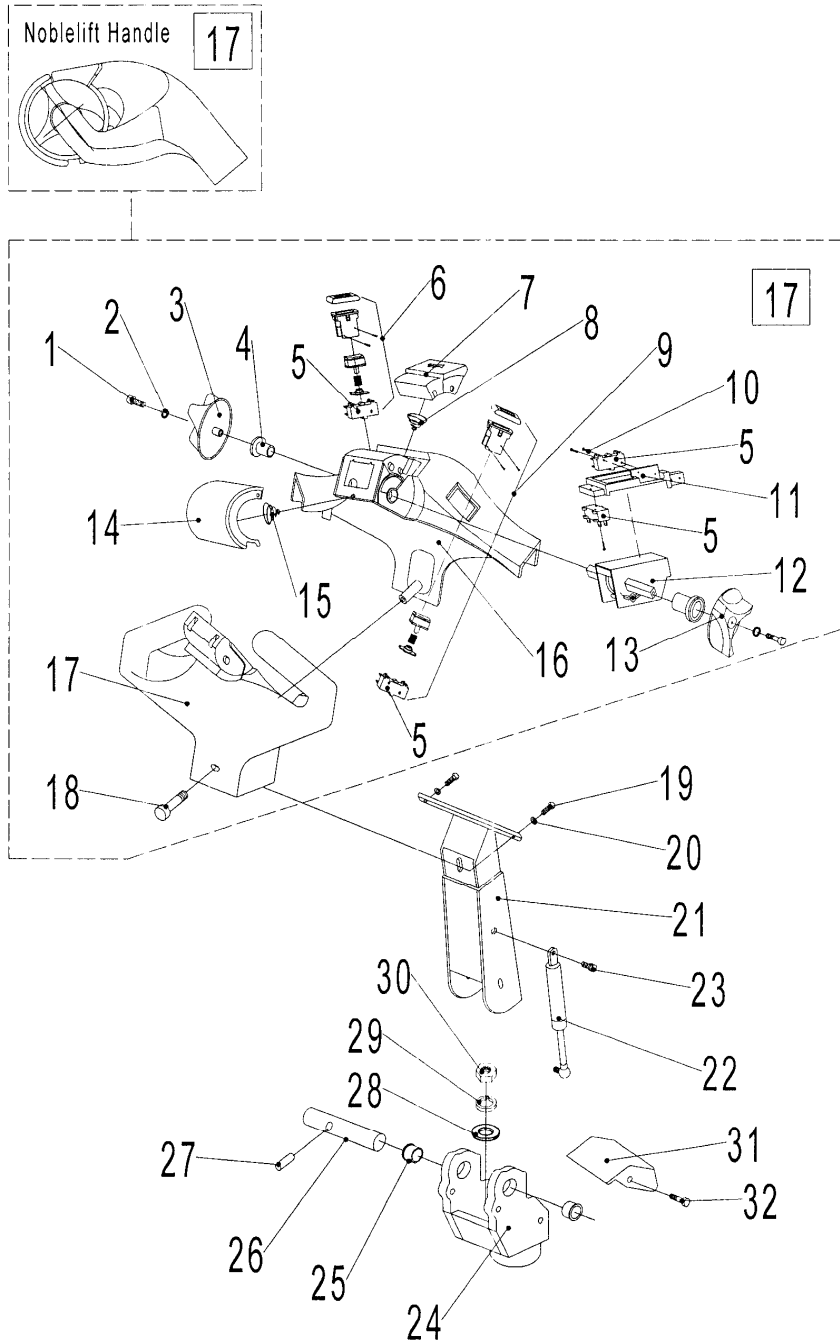
No.	Part Number	Item	Quantity	Remarks
1	0000023025	Inner screw	8	
2	0000023006	Spring washer	8	
3	0000023005	Locking nut	10	
4	0000025002	Flat washer	8	
5	1000401007	Linking plate	2	
6	0000027002	Bearing	2	
7	0000026002	Retaining ring for axle	2	
8	1000401006	Frame of steering wheel	2	
9				
10	1000423004	Bolt	2	
11	0000024006	Locking nut	2	
12	1000431002	Spring	2	
13	1000419001	PU-spring	2	
14	1000413002	Composite bushing	4	
15	1000401008	Rotating arm	2	
16	0000023035	Bolt	2	
17	1000404023	Dust cover	4	
18	1000425003	Washer	4	
19	1000402005	Spindle sleeve	2	
20	0000027001	Bearing	4	
21	1000403008	Steering wheel	2	
22	1000426001	Retaining ring for axle	2	
23	1000523002	Screw	2	
24	0000028004	Cylindrical pin	2	
25	1000404031	Adjusting washer (1mm)	N	
	1000404032	Adjusting washer (0.5mm)	N	
9	1000400020	Steering wheel assembly	2	

03-2 Single load roller



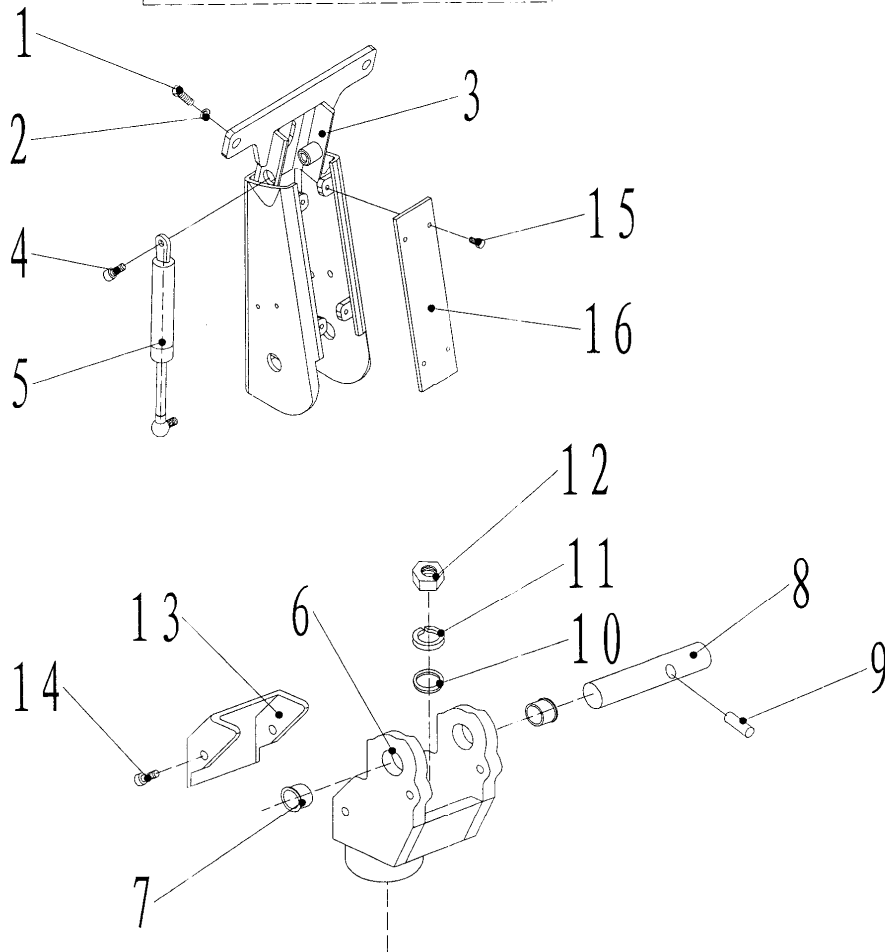
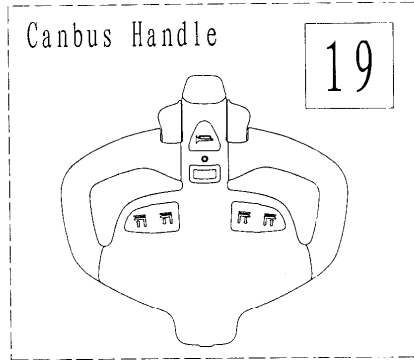
No.	Part Number	Item	Quantity	Remarks
1	2100607001	Shaft for front wheel	2	
2	0000028013	Elastic pin	2	
3	2020425001	Washer	4	
4	0000027001	Bearing	4	
5	1000507011	Small wheel	2	
6	0000030004	Grease cup	2	

04-1 Noblelift handle



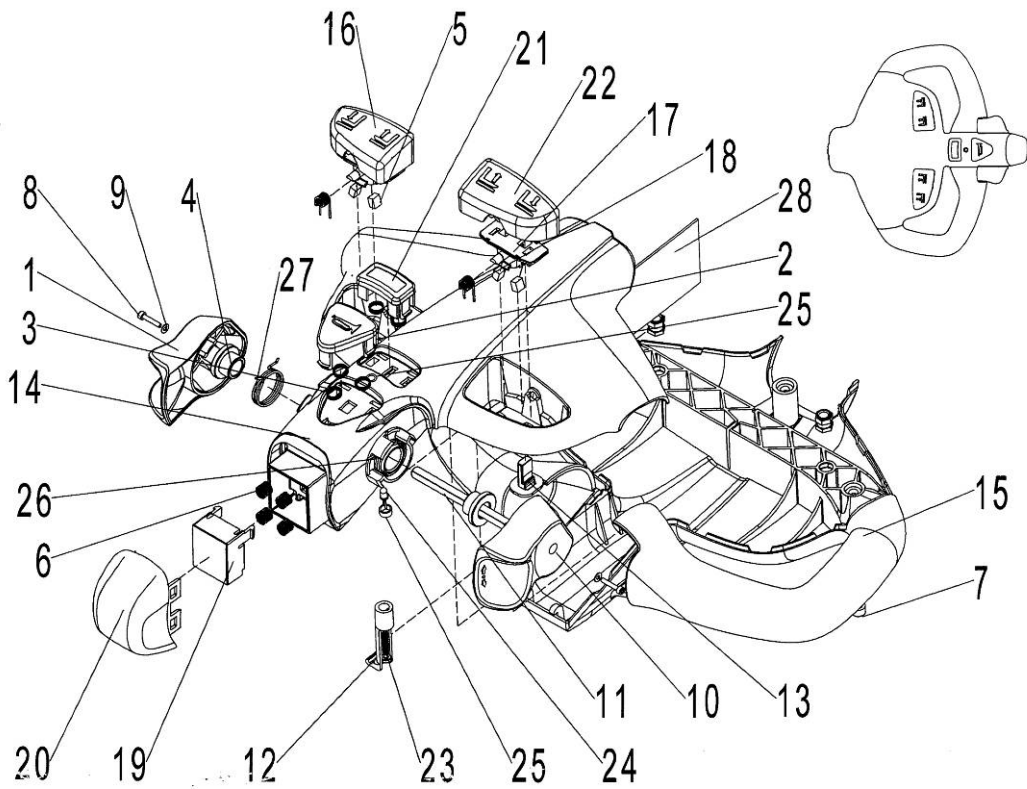
No.	Part Number	Item	Quantity	Remarks
1	0000023008	Screw	2	
2	0000025003	Spring washer	2	
3	1000114004	Left driving button	1	
4	1000113002	Shaft housing	2	
5	1000134002	Micro-switch	4	
6	1000100015	Assembly lowering button	1	
7	1000114001	Horn button	1	
8	1000131001	Spring for horn button	1	
9	1000100016	Assembly lifting button	1	
10	0000023009	Screw	8	
11	1000103004	Layer	1	
12	1000134003	Accelerator	1	
13	1000114003	Right driving button	1	
14	1000114002	Urgent button for backward	1	
15	1000131002	Spring for urgent button	1	
16	1000103001	Upper cover for handle	1	
17	1000103003	handle	1	
18	0000023053	Inner screw	3	
19	0000023046	Bolt	2	
20	0000025001	Spring washer	2	
21	1000101002	Assembly handle lever	1	
22	1000121001	Air spring	1	
23	1000123001	Inner screw	1	
24	1010105001	Handle seat	1	
25	1000113001	Shoulder bushing	2	
26	1000107001	Handle shaft	1	
27	0000028003	Elastic pin	1	
28	0000025002	Flat washer	2	
29	0000023006	Spring washer	2	
30	0000023005	Locking nut	2	
31	1000104001	Cover	1	
32	0000023045	Screw	2	
17	1000100008	Noblelift handle assembly	1	

04-2 Can-bus handle



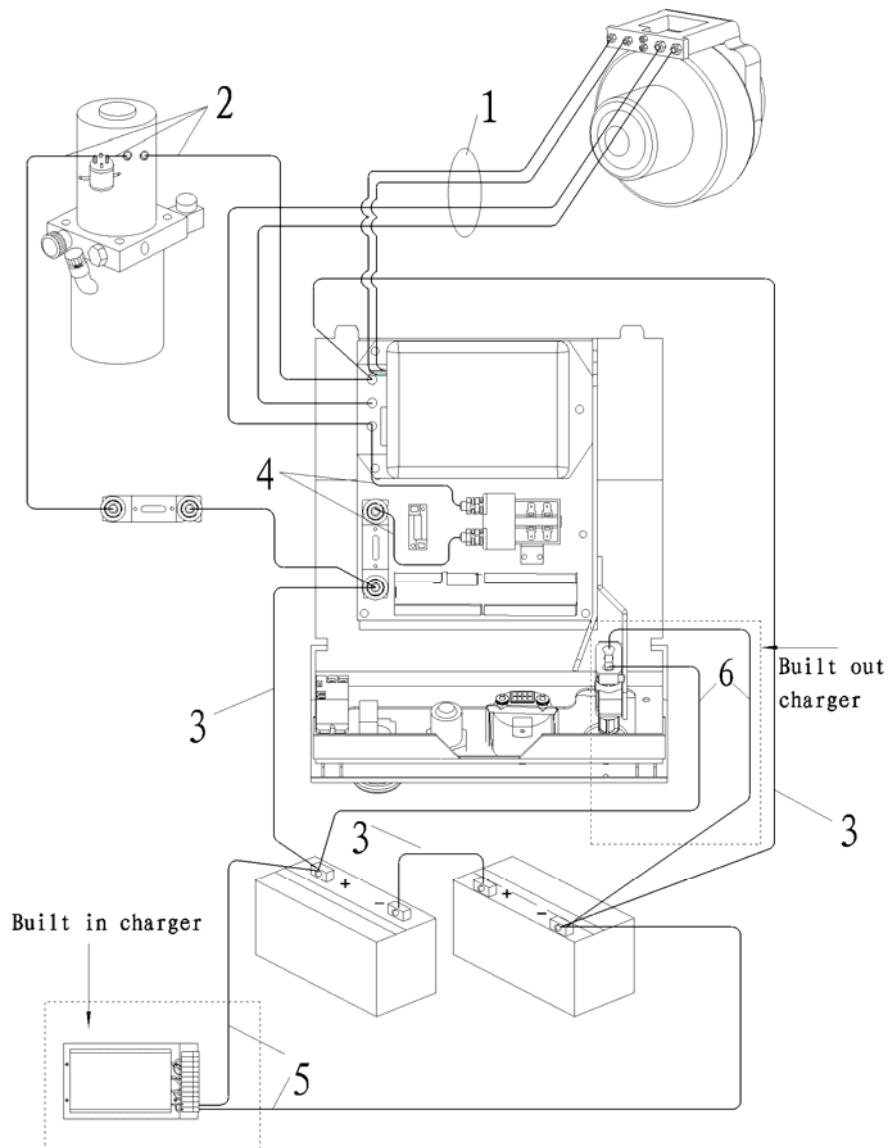
No.	Part Number	Item	Quantity	Remarks
1	0000023047	Inner screw	2	
2	0000025001	Spring washer	2	
3	1000101004	Handle lever	1	
4	1000123001	Inner screw	1	
5	1000121001	Air spring	1	
6	1010105001	Handle seat	1	
7	1000113001	Shoulder bushing	2	
8	1000107001	Handle shaft	1	
9	0000028003	Spring cylindrical pin	1	
10	0000025002	Flat washer	2	
11	0000023006	Spring washer	2	
12	0000023005	Locking nut	2	
13	1000104001	Cover	1	
14	0000023045	Screw	2	
15	1000123003	Screw	4	
16	1000104013	Cover board	1	
19	1000100009	New handle assembly	1	

Part for CAN-BUS handle



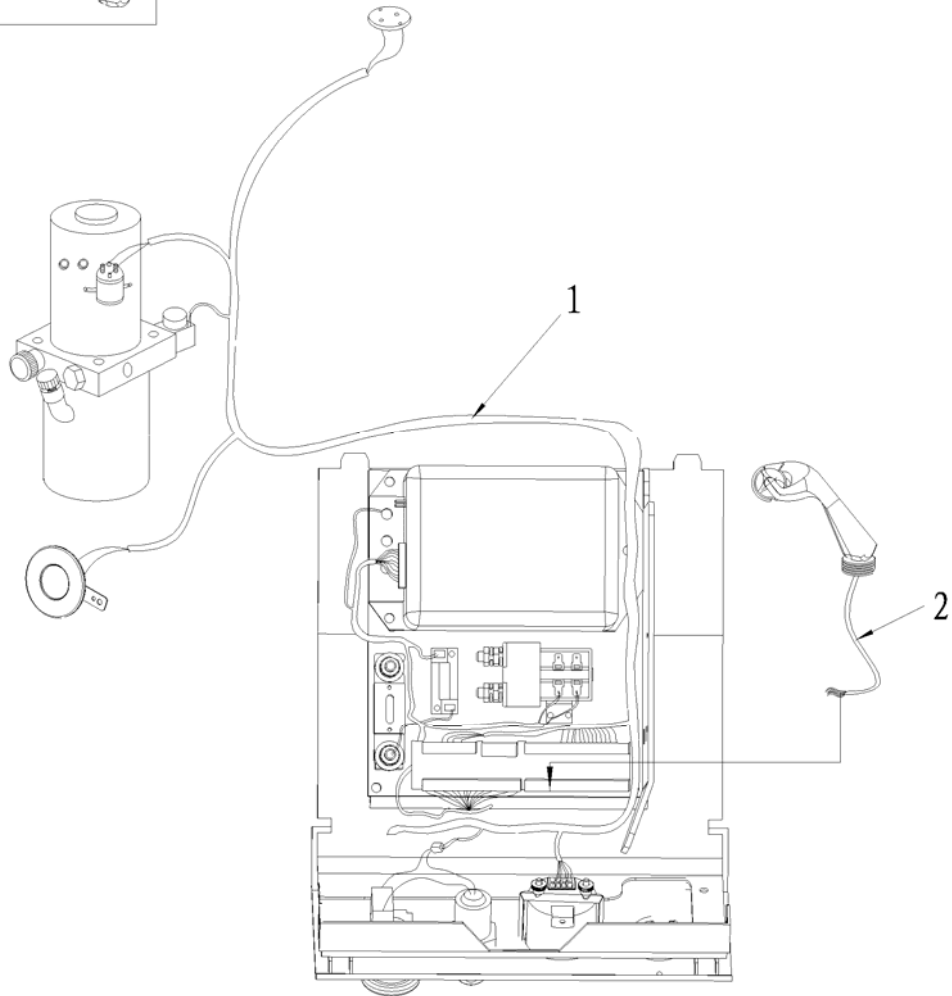
No.	Part Number	Item	Quantity	Remarks
1	1000114014	Left driving button	1	
2	1000114015	Horn button	1	
3	1000131009	Spring for horn button	5	
4	1000113004	Bushing for camshaft	2	
5	1000137001	magnetic substance	4	
6	1000131010	Spring for urgent reversing button	4	
7	0000023058	Screw	3	
8	0000023057	Screw	2	
9	0000025017	Flat washer	2	
10	1000114016	Right driving button	1	
11	1000107002	Shaft for driving button	1	
12	1000137002	Clip for PCB board	1	
13	1000134005	Load cell	2	
14	1000103012	Upper part of handle	1	
15	1000103013	Under part of handle	1	
16	1000114017	Left button	1	
17	1000137003	magnetic substance seat	2	
18	1000131011	Torsional spring	2	
19	1000114018	Seat for Spring for urgent reversing button	1	
20	1000114020	Cover for Spring for urgent reversing button	1	
21	1000114021	Cover for option switch	1	
22	1000114022	Right button	1	
23	0000023060	Screw	1	
24	1000134006	LED bi-colour light	1	
25	1000103014	Seat for LED bi-colour light	1	
26	1000131012	torsional spring for right driving button	1	
27	1000131013	torsional spring for left driving button	1	
28	1000134007	PCB	1	

05-1 Main wiring harness

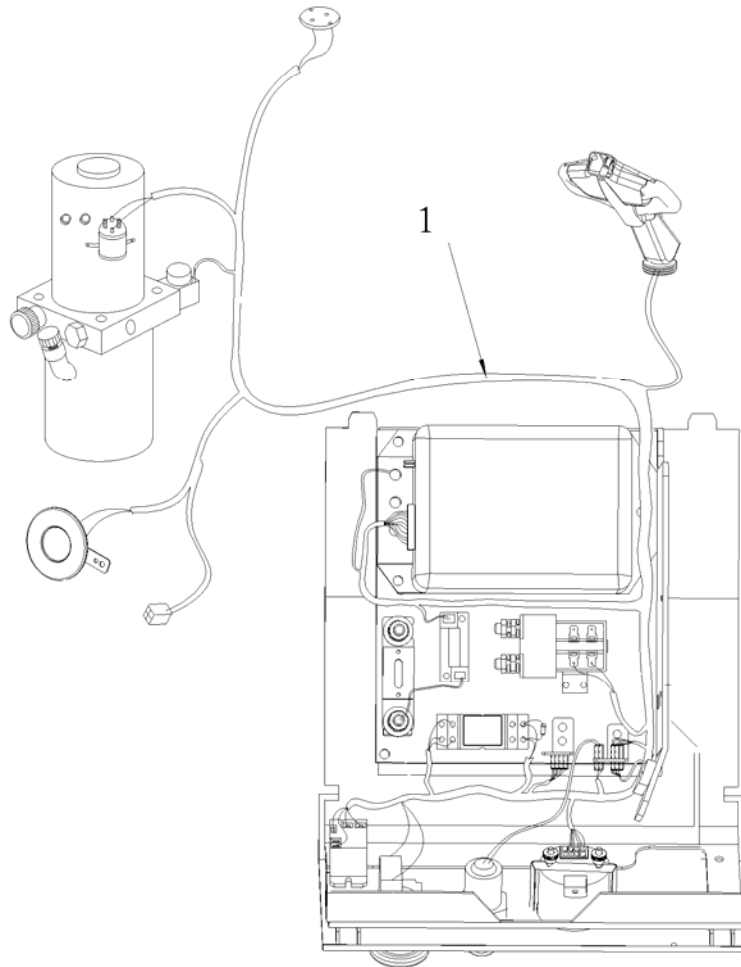


No.	Part number	Item description	Quantity	Remarks
1	2100433003	wiring harness for traction motor	1	
2	2100433004	Wiring harness for pump motor	1	
3	2100433005	Wiring harness for controller power	1	
4	2100433006	Wiring harness for main contactor	1	
5	2100433007	Output lead for the charger	1	Built-in
6	2100433008	Output lead for the charger	1	Built-out

05-2 Control wiring harness

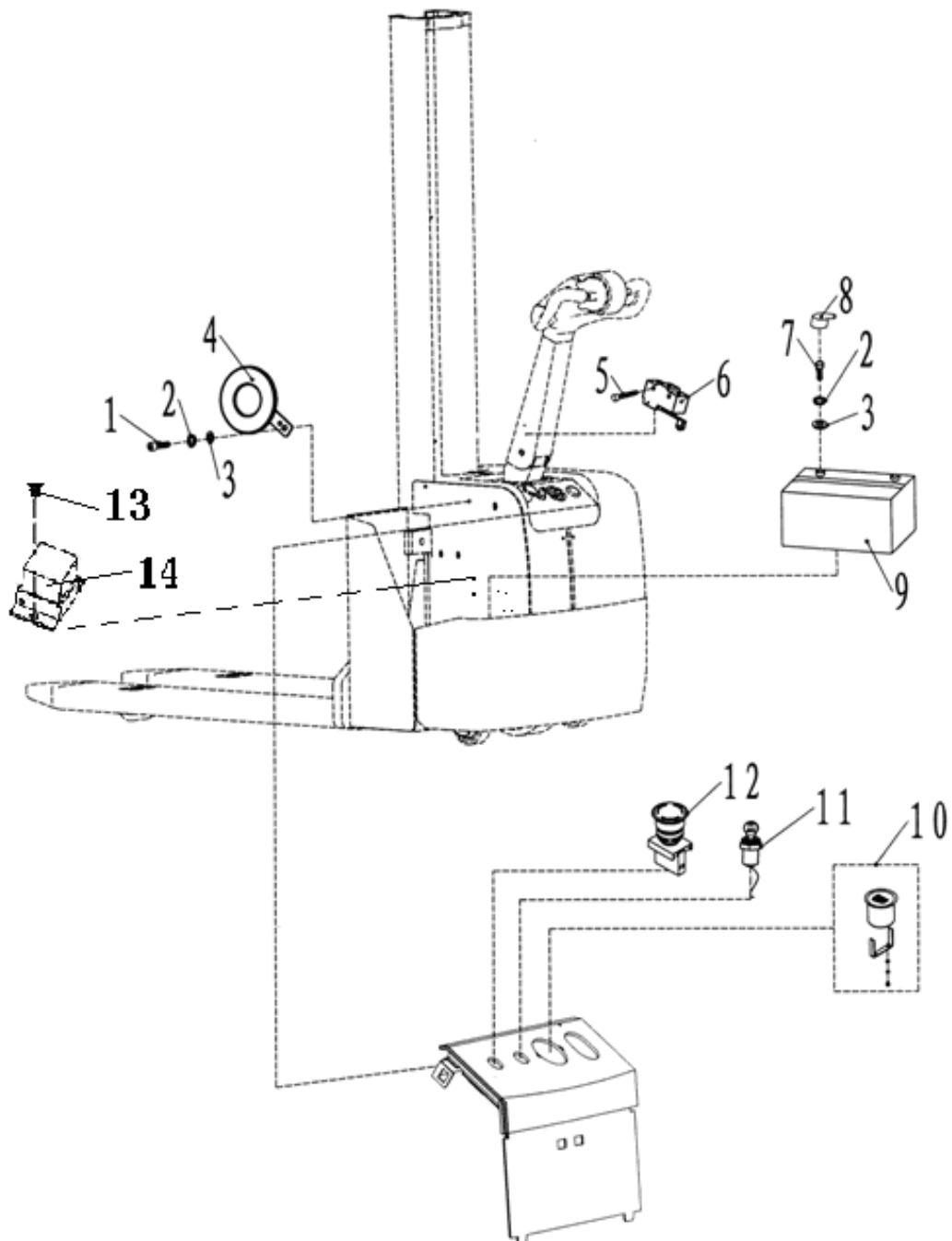


No.	Part number	Item description	Quantity	Remarks
1	2100433009	Control wiring harness	1	Built-in
1	2100433010	Control wiring harness	1	Built-out
2	2100433011	Handle wiring harness	1	



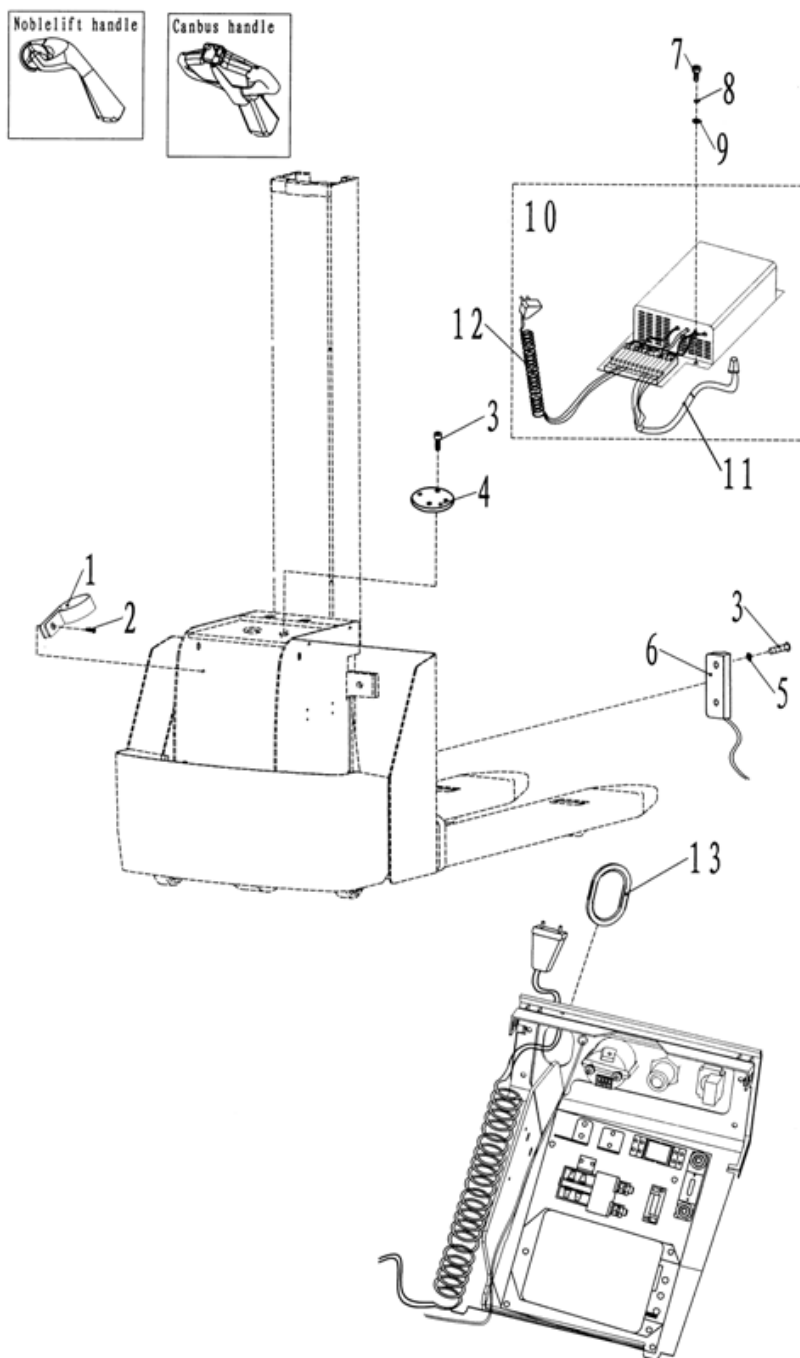
No.	Part number	Item description	Quantity	Remarks
1	2100433012	Control wiring harness	1	Built-in
1	2100433013	Control wiring harness	1	Built-out

05-3 General parts for electrical equipment



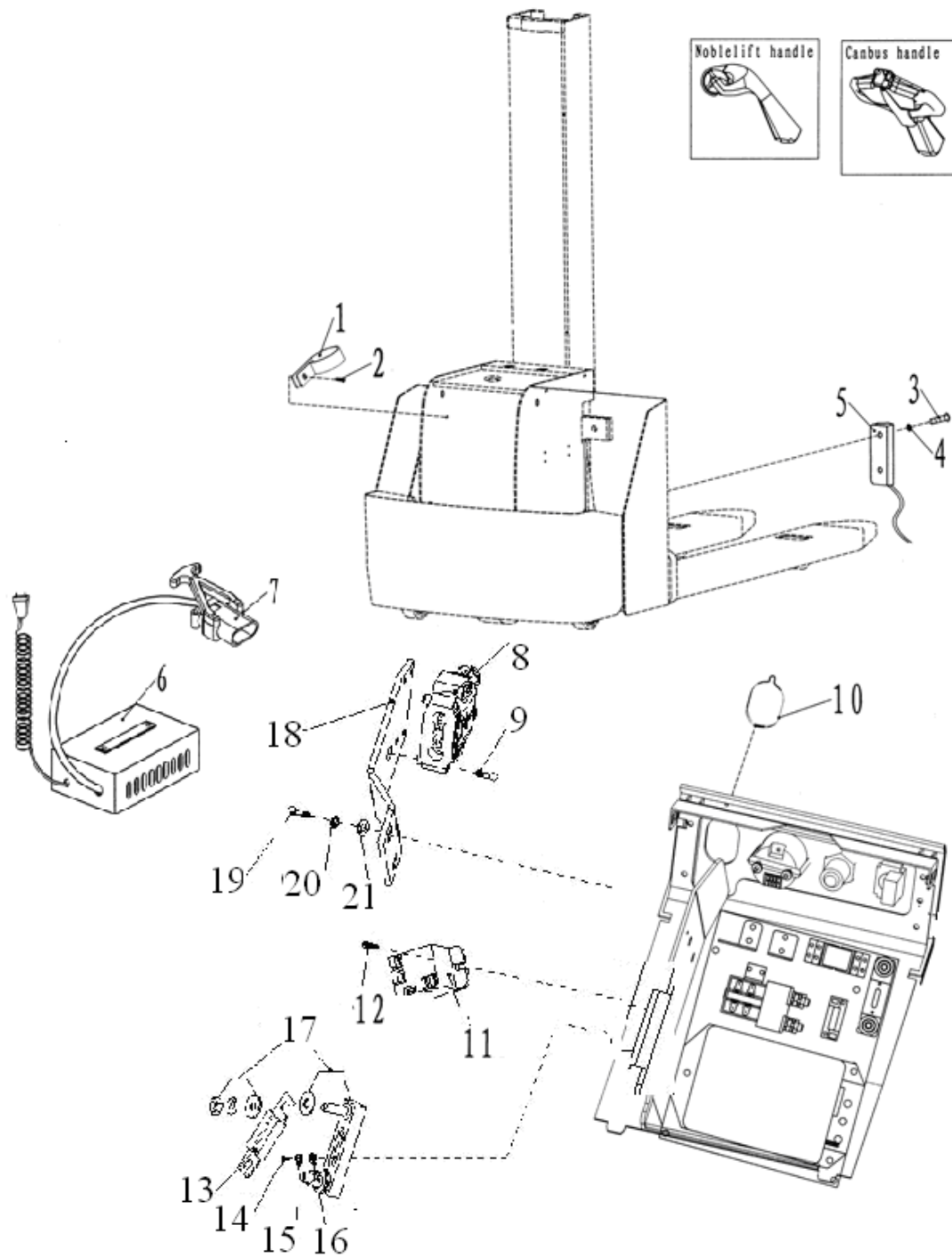
No.	Part Number	Item	Quantity	Remarks
1	0000023044	Bolt	1	
2	0000025001	Spring washer	5	
3	0000025011	Flat washer	5	
4	1000434015	Horn	1	
5	0000023050	Screw	2	
6	1000134001	Micro-switch	1	
7	0000023028	Bolt	4	
8	1000403007	Protective sleeve	4	
9	2100432001	Battery	2	
10	1000434025	Battery indicator	1	
11	1010434002	Key switch	1	
12	2240434001	DC power switch	1	
13	0000023052	Screw	2	
14	1000434003	Protective module	1	

05-4 Spare parts for Built-in charger



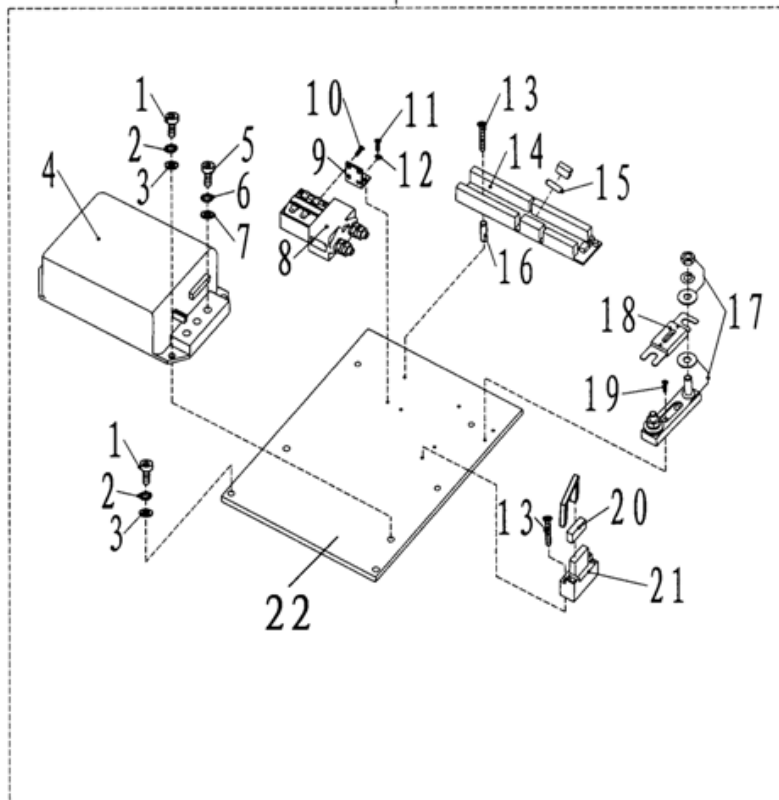
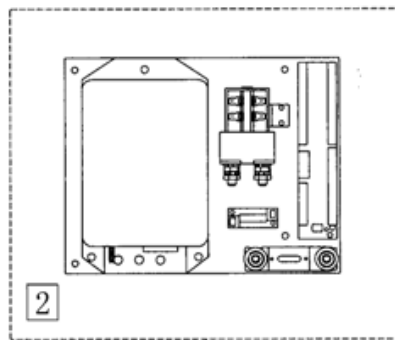
No.	Part Number	Item	Quantity	Remarks
1	1000434013	Fixed button for wiring	2	
2	0000023016	Screw	2	
3	0000023246	Screw	4	
4	1000403001	Plug seat	1	
5	0000025026	Flat washer	2	
6	2000435001	Magnetic switchHWK23	1	Noblelift handle
	2000435003			CANBUS handle
7	0000023486	Screw	4	
8	0000025004	Spring washer	4	
9	0000025005	Flat washer	4	
10	2100434004	Charger 24V/15A	1	230AC
	2100434007	Charger 24V/15A		115AC
11	1000004013	Wiring for charge lamp	1	
12	1000434030	Plug for spring cable	1	Australian
	1000434032			British
	1000434033			European
	1000434034			American
	1000434035			Asian
13	1000418001	Protective sleeve	1	

05-5 Spare parts for Built-out charger



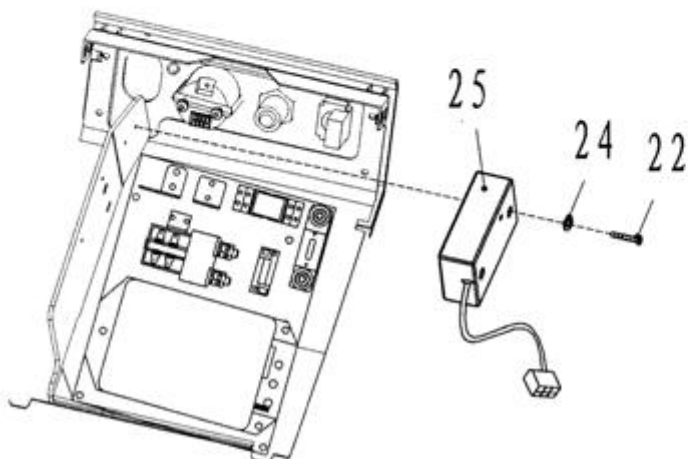
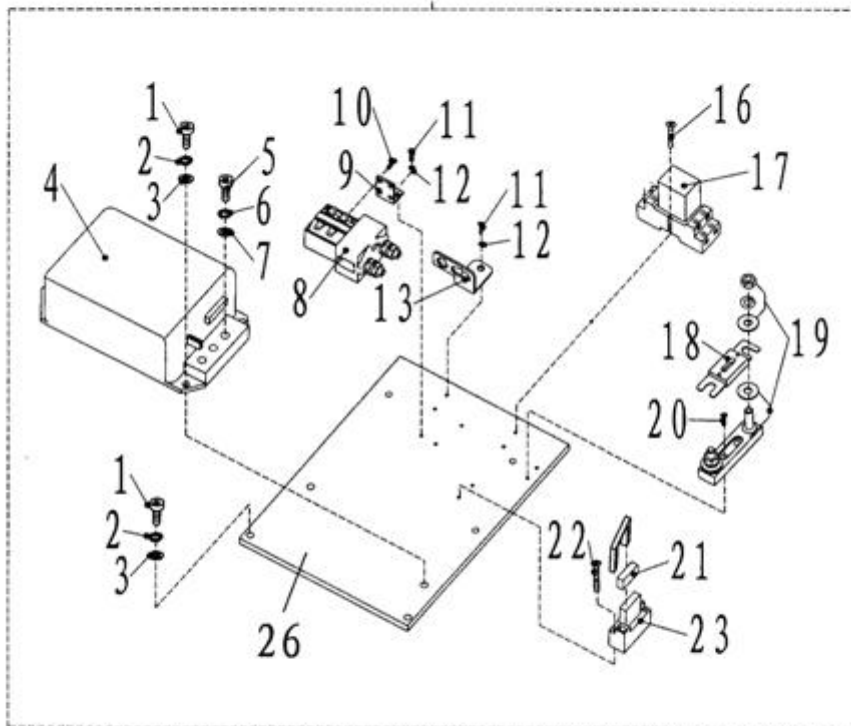
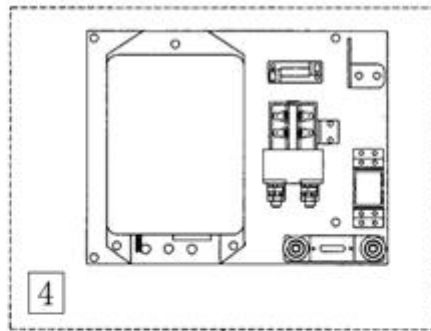
No.	Part Number	Item	Quantity	Remarks
1	1000434013	Fixed button for wiring	2	
2	0000023016	Screw	1	
3	0000023246	Screw	2	
4	0000025026	Flat washer	2	
5	2000435001	Magnetic switch HWK23	1	Chinese handle
	2000435003			CANBUS handle
6	2330434005	Charger 24V/15A	1	Asian Chinese
	2330434006			Asian English
	2330434007			European
	2330434008			American
7	1000434038	REMA socket connector	1	Male
8	1000434039	REMA socket connector	1	Female
9	0000023524	Screw	2	
10	1000404029	Cover of the socket	1	
11	1000434036	Relay	1	
12	0000023039	Screw	1	
13	1000434008	Fuse 100A	1	
14	0000023018	Screw	2	
15	0000025009	Spring washer	2	
16	0000025008	Flat washer	2	
17	1000434007	Fuse holder	1	
18	1000404028	Fixed plate for the socket	1	
19	0000025014	Flat washer	2	
20	0000025015	Spring washer	2	
21	0000023039	Screw	2	

05-6 Spare part for the assembled controller(Noblelift handle)



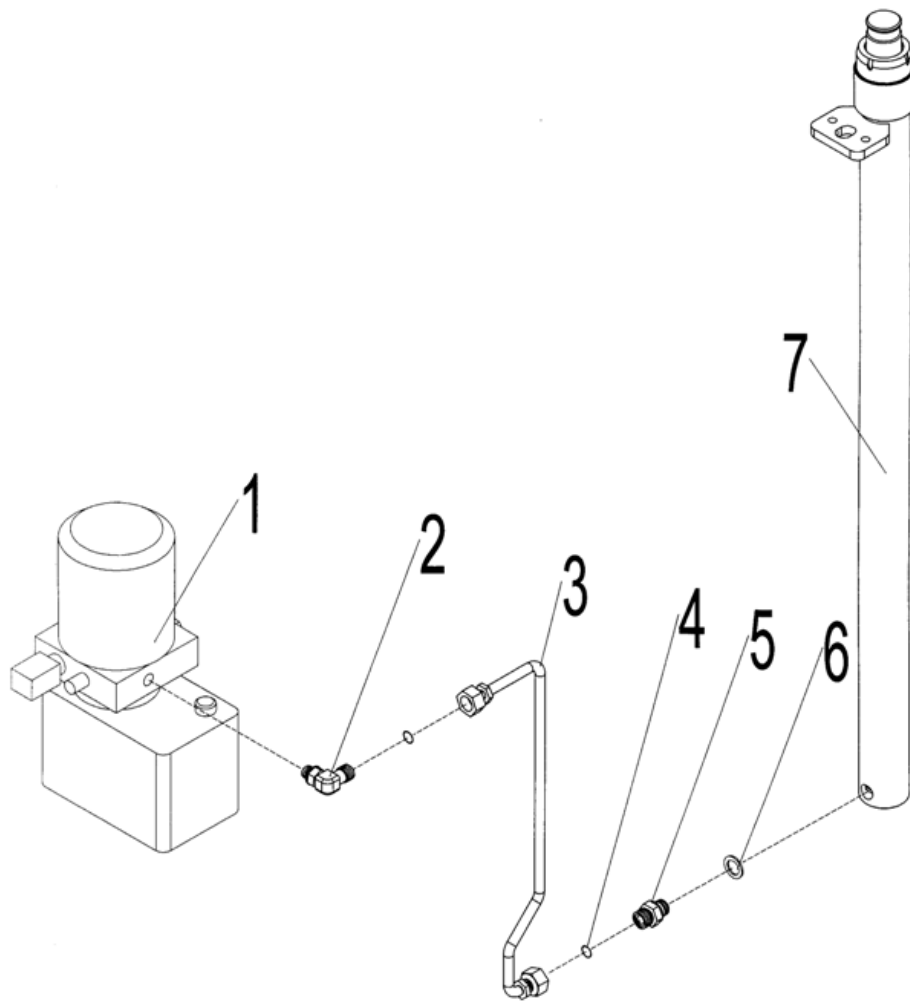
No.	Part Number	Item	Quantity	Remarks
1	0000023040	Inner screw	7	
2	0000025006	Spring washer	7	
3	0000025007	Flat washer	3	
4	1000434002	1243-4220 controller	1	
5	0000023012	Inner screw	3	
6	0000025004	Spring washer	3	
7	0000025005	Flat washer	3	
8	1000434006	Contacto	1	
9	1000404002	Frame of the main contacto	1	
10	0000023017	Screw	4	
11	0000023016	Screw	2	
12	0000025009	Spring washer	2	
13	0000023019	Screw	4	
14	2210435001	Circuit board	1	
15	1000434005	6A fuse	1	
16	1000403002	white column	2	
17	1000434007	Fuse holder	1	
18	1010434005	80A fuse	1	
19	0000023018	Screw	2	
20	1000434040	10A fuse	1	
21	1000434009	10A fuse holder	1	
22	1000404001	aluminium plate for controller	1	
23	2100434002	Controller assembly	1	

05-7 Spare part for the assembled controller(CANBUS handle)



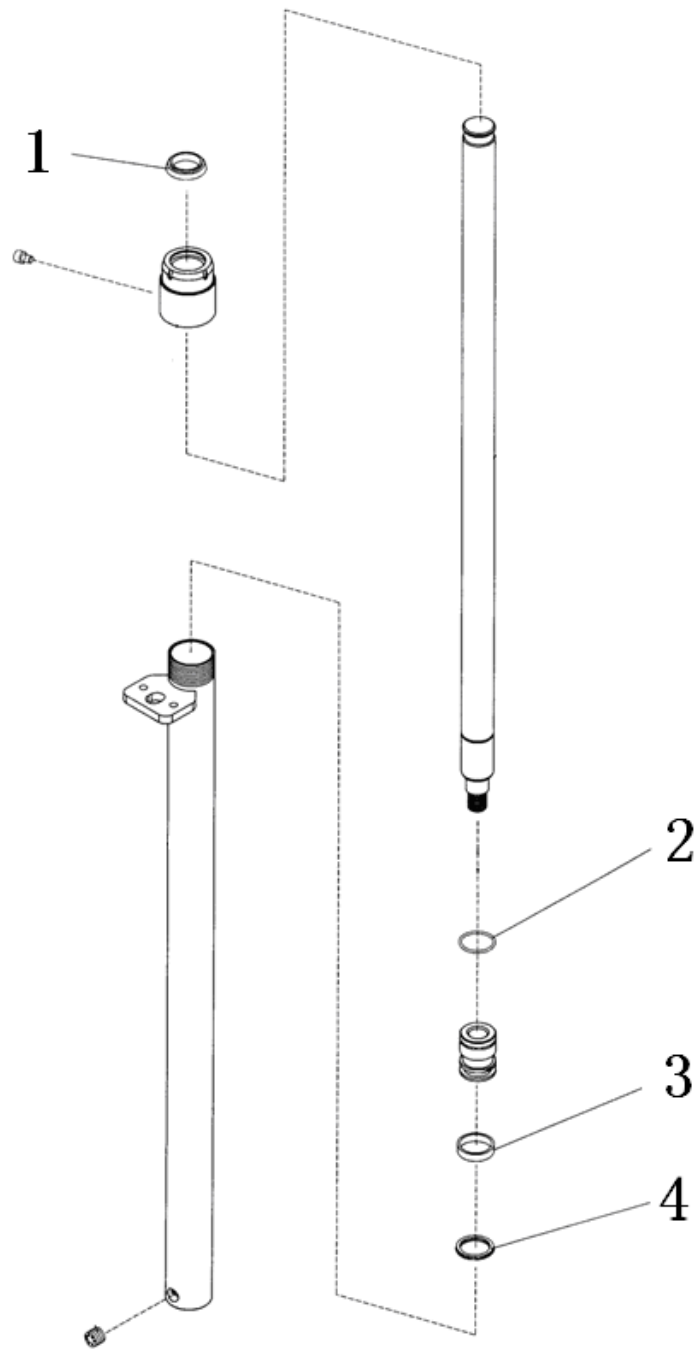
No.	Part Number	Item	Quantity	Remarks
1	0000023040	Inner screw	7	
2	0000025006	Spring washer	7	
3	0000025007	Flat washer	3	
4	1000434010	1243C-4381 controller	1	
5	0000023012	Inner screw	3	
6	0000025004	Spring washer	3	
7	0000025005	Flat washer	3	
8	1000434006	Contacto	1	
9	1000404002	Frame of the main contacto	1	
10	0000023017	Screw	4	
11	0000023016	Screw	2	
12	0000025009	Spring washer	2	
13	1000404005	Frame of the connector	1	
16	0000023054	Inner screw	2	
17	1000434014	Relay	1	
18	1010434005	80A fuse	1	
19	1000434007	Fuse holder	1	
20	0000023018	Screw	2	
21	1000434040	Fuse	1	
22	0000023019	Screw	4	
23	1000434009	10A fuse holder	1	
24	0000025008	Flat washer	2	
25	2000404004	Lifting logic board	1	
26	1000404001	aluminium plate for controller	1	
4	2100434003	Controller assembly	1	

06-1 Pipeline system



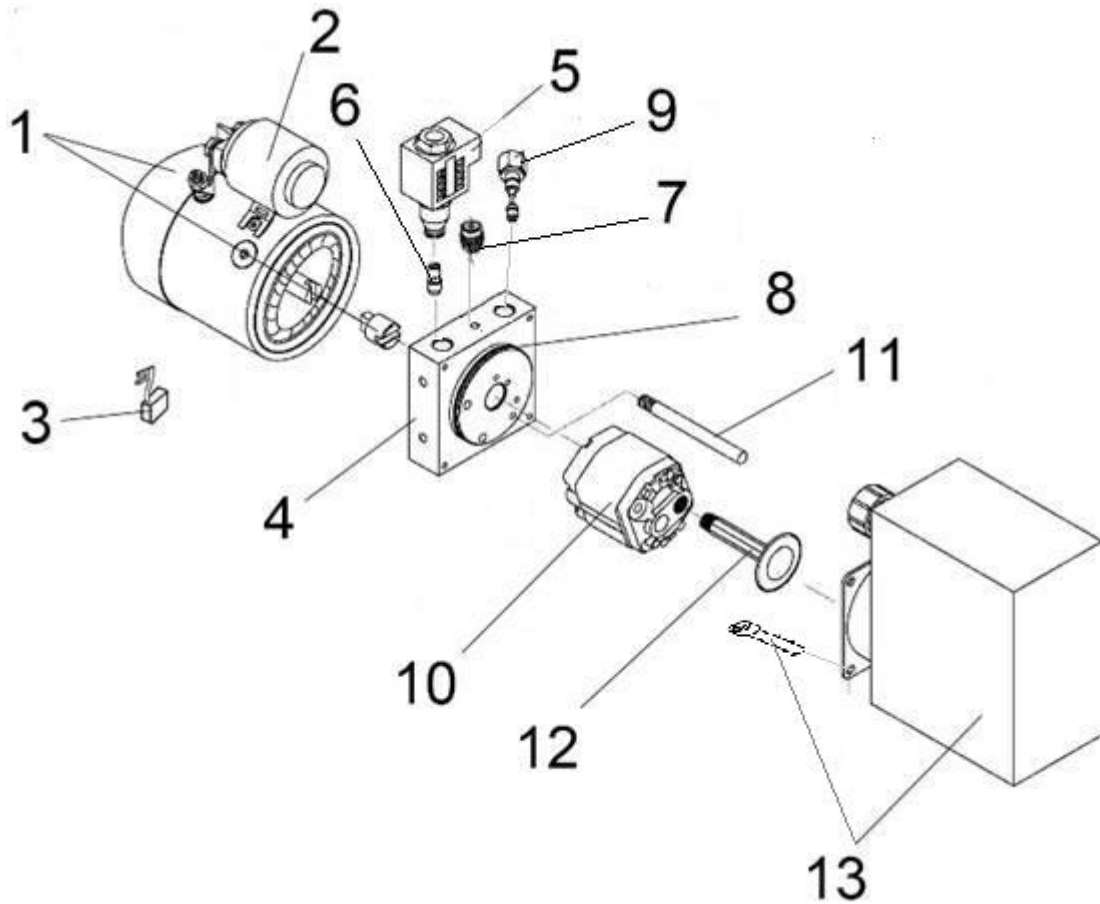
No.	Part Number	Item	Quantity	Remarks
1	2100300006	Pump station system	1	
2	1030317001	Steering joint	1	
3	2100317001	Steel tube assembly	1	
4	0000022011	O-ring	2	
5	2000317002	Straight joint	1	
6	0000022051	Seal washer	1	
7	2100337001	cylinder	1	2000
	2100337002	cylinder	1	1600
	2100337003	cylinder	1	800

06-2 Cylinder



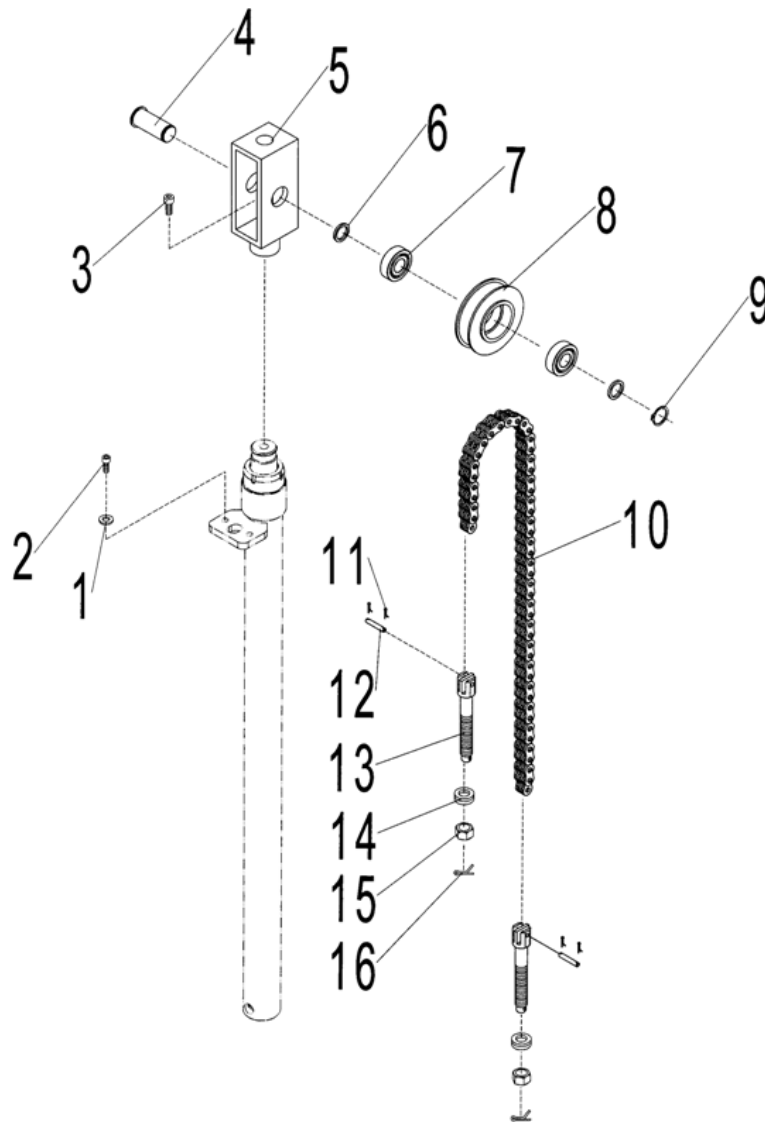
No.	Part Number	Item	Quantity	Remarks
1	2100322003	Dust ring 35×43-5/6.5	1	
2	2100322004	O-ring	1	
3	2230313003	Supporting ring for hole 40X15-2	1	
4	2100322002	Y-ring 40×30-6	1	

06-3 Pump station system



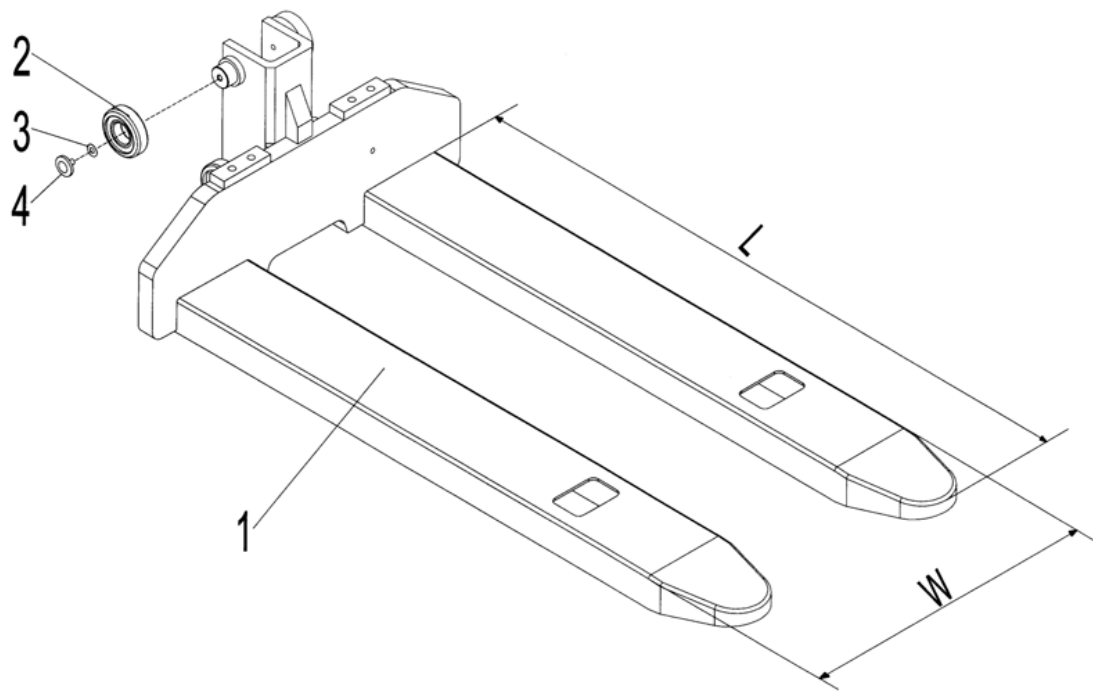
No.	Part Number	Item	Quantity	Remarks
1	2100300007	Motor	1	
2	2100334001	Starter relay	1	
3	2100335001	Carbon brush(assembly)	1	
4	2100315001	Valve body	1	
5	2100337008	electromagnetic valve	1	
6	2100337004	throttling valve	1	
7	2100337005	Individual valve	1	
8	2100322004	O-ring	1	
9	2100337006	overflow valve	1	
10	2100300008	Gear pump	1	
11	2100317002	Oil returning pipe	1	
12	2100317003	Oil suction pipe	1	
13	2100337007	Oil tank	1	

07-1 Chain assembly



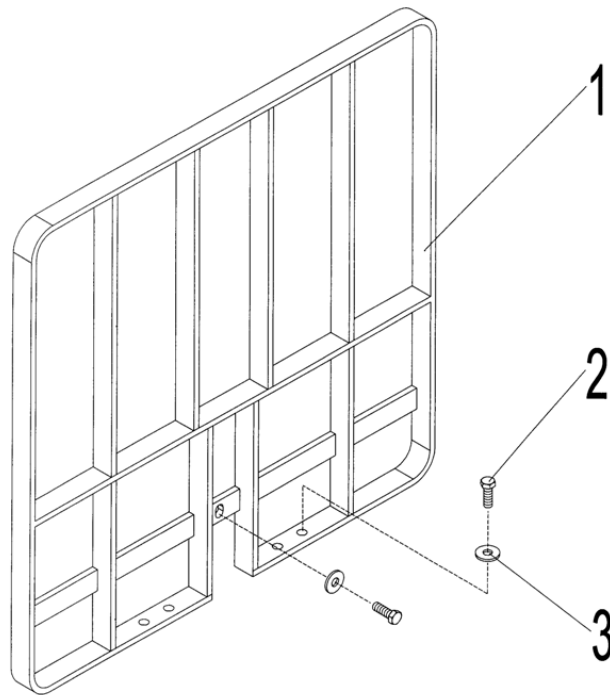
No.	Part Number	Item	Quantity	Remarks
1	0000023047	Inner screw	2	
2	0000025001	Spring washer	2	
3	0000023156	Inner screw	1	
4	3028002008	Chain wheel axle	1	
5	3028005002	Frame of chain wheel	1	
6	2240302001	Washer	2	
7	0000027011	Bearing	2	
8	3028002007	Chain wheel	1	
9	0000026013	Retaining ring for shaft	2	
10	0000029136	plate link chain with heavy duty LH1044	1	2000
	0000029258	plate link chain with heavy duty LH1044		1600
	0000029257	plate link chain with heavy duty LH1044		800
11	0000028117	Split pin	4	
12	3028002006	Chain shaft	2	
13	3028002009	Chain lever	2	
14	0000025099	Conical washer	2	
	0000025098	Spherical washer	2	
15	0000024011	Locking nut	2	
16	0000028118	Split pin	2	

07-2 Pallet frame



No.	Part Number	Item	Quantity	Remarks
1	2100501001	Fork W=540 L=1150	1	
2	2100516001	Roller	4	
3	1030502001	Adjusting washer	4	
4	1030502002	Adjusting joint	4	

08-1 Backrest (option)



No.	Part Number	Item	Quantity	Remarks
1	2100501005	Backrest	1	
2	0000023100	Bolt	5	
3	0000025002	Flat washer	5	