

Parts & Components Manual

AWPS23.56/AWPS46.79/AWPS46.96

Electric scissor lifts

Zhejiang Noblelift Equipment Joint Stock Co.,Ltd

Contents

Figure 1.1	Parts and components of platform (AWPS2356)	2
Figure 1.2	Parts and components of platform (AWPS2356-G)	5
Figure 1.3	Parts and components of platform (AWPS4679、AWPS4696)	7
Figure 1.4	Parts and components of platform (AWPS4679-G、AWPS4696-G)	10
Figure 2.1	Parts and components of scissors (AWPS2356)	12
Figure 2.2	Parts and components of scissors (AWPS4679、AWPS4696)	14
Figure 3.1	Parts and components of chassis (AWPS2356)	16
Figure 3.2	Parts and components of chassis (AWPS4679、AWPS4696)	19
Figure 3.3	Side supporting device (AWPS2356)	22
Figure 3.4	Side supporting device (AWPS4679、AWPS4696)	24
Figure 4	Steering cylinder	26
Figure 5.1	Lifting cylinder (AWPS2356)	28
Figure 5.2	Lifting cylinder (AWPS4679、AWPS4696)	30
Figure 6	Parts and components of pump station	32
Figure 7.1	Electirical parts (AWPS2356)	35
Figure 7.2	Electirical parts (AWPS4679、AWPS4696)	38
Figure 7.3	Platform electrical box (AWPS2356)	41
Figure 7.4	Platform electrical box (AWPS4679、AWPS4696)	43
Figure 7.5	Chassis electrical box	45
Figure 7.6	Parts and components of aluminum plate	46

Figure 1.1 Parts and components of platform (AWPS2356)

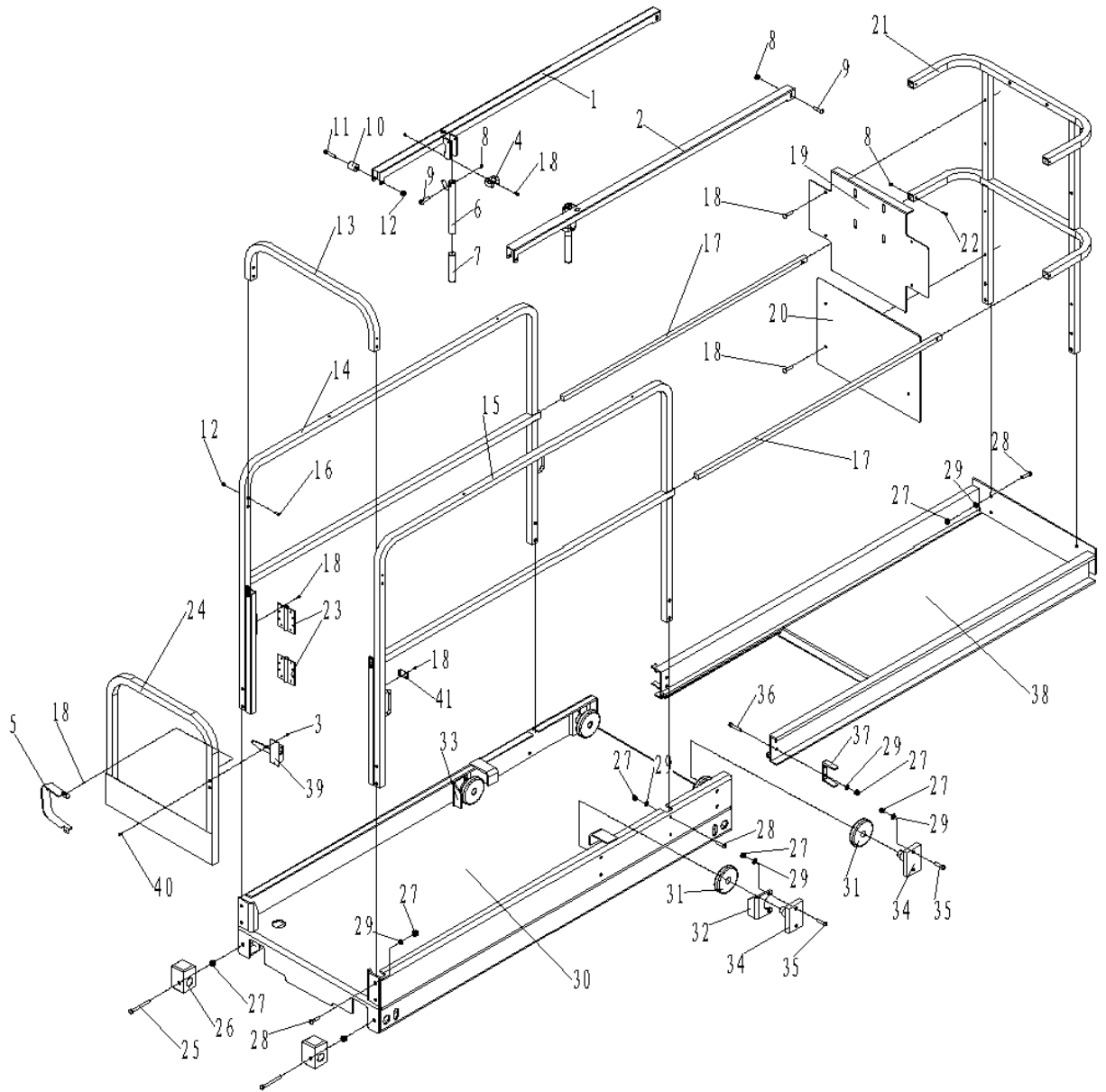


Figure 1.1 Parts and components of platform (AWPS2356)

No.	Part Number	Name	Quantity	Remarks
1	9000001740	Left-extended steel welding	1	
2	9000001742	Right-extended steel welding	1	
3	0000024104	Locking nut	2	
4	9000001378	Snap	2	
5	9000001463	Handle guard board	1	
6	9000001440	Lever welding	2	
7	9000001443	Rubber sleeve	2	
8	0000024045	Locking nut	6	
9	0090000136	Hex head bolt	4	
10	9000001452	Nylon sleeve	2	
11	0000023427	Hex head bolt	2	
12	0000023081	Locking nut	6	
13	9000001748	Square tube	1	
14	9000001730	Left fence welding	1	
15	9000001735	Right fence welding	1	
16	0000023665	Hex head bolt	4	
17	9000001743	Extension rod	2	
18	0090000128	Core pulling rivet	30	
19	9000001747	Upper hanging plate	1	
20	9000001749	Lower hanging plate	1	
21	9000001726	Front fence welding	1	
22	0000023737	Hex head bolt	2	
23	9000001459	Spring hinge	2	
24	9000001736	Door frame welding	1	
25	0000023870	Hex head bolt	2	
26	9000001813	Upper axis slider	2	
27	0000024097	Locking nut	26	
28	0090000139	Screw	12	
29	0000025106	Flat washer	22	
30	9000001712	Outer platform welding	1	
31	9000001456	Nylon wheel	4	
32	9000001746	Right scroll wheel guard	1	
33	9000001745	Left scroll wheel guard	1	
34	9000001744	Wheel axle welding	4	
35	0090000139	Screw	8	

36	0000023794	Hex head bolt	4	
37	9000001461	U-shaped block	2	
38	9000001721	Extended platform welding	1	
39	9000001901	Door lock	1	
40	0090000163	Screw	2	
41	9000001902	Tongue bars	1	

Figure 1.2 Parts and components of platform (AWPS2356-G)

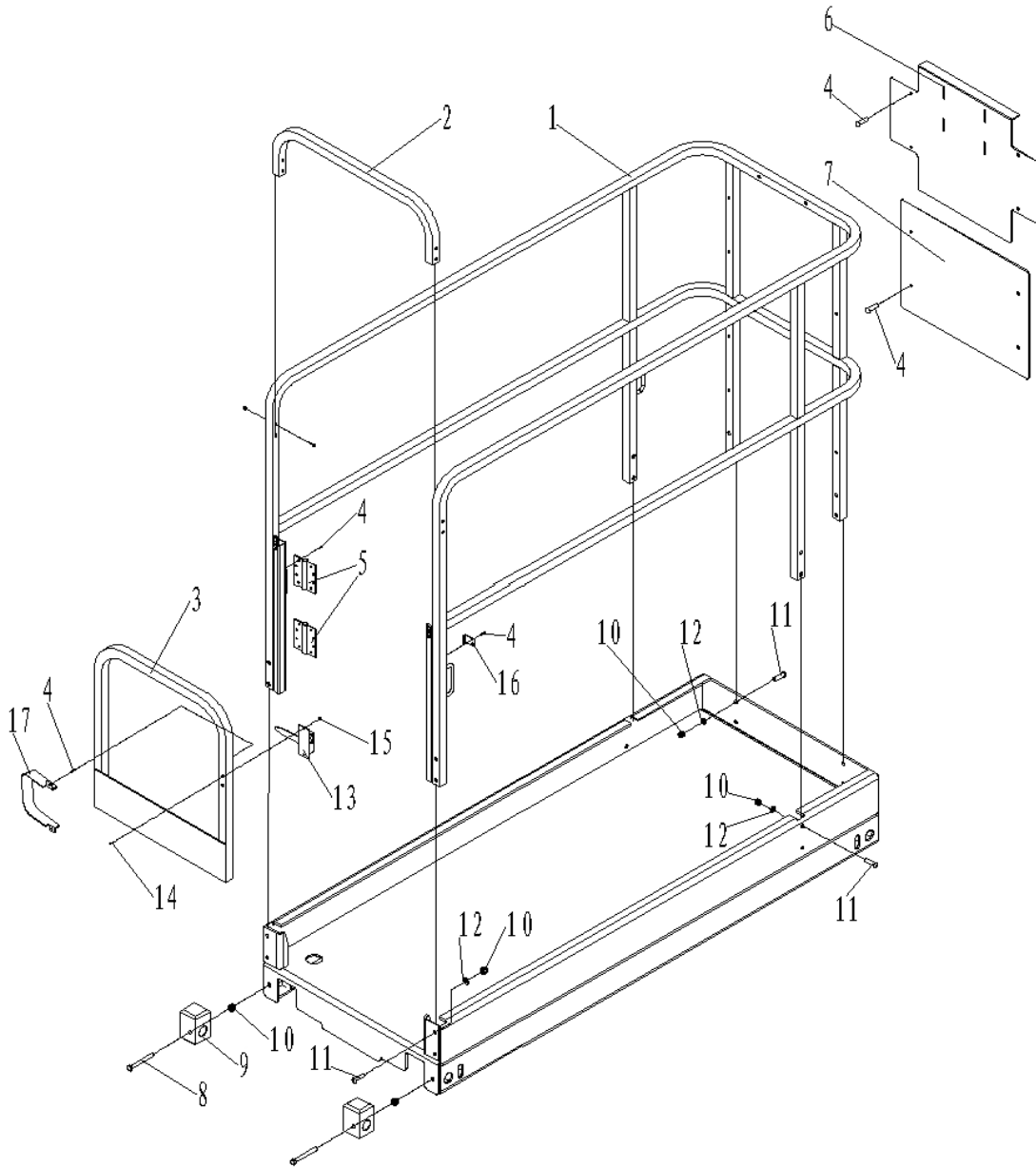


Figure 1.2 Parts and components of platform (AWPS2356-G)

No.	Part Number	Name	Quantity	Remarks
1	9000001883	Outer platform welding (fixed)	1	
2	9000001748	Square tube	1	
3	9000001736	Door frame welding	1	
4	0090000128	Core pulling rivet	28	
5	9000001459	Spring hinge	2	
6	9000001747	Upper hanging plate	1	
7	9000001749	Lower hanging plate	1	
8	0000023870	Hex head bolt	2	
9	9000001813	Upper axis slider	2	
10	0000024097	Locking nut	12	
11	0090000139	Screw	12	
12	0000025106	Flat washer	12	
13	9000001901	Door lock	1	
14	0090000163	Screw	2	
15	0000024104	Locking nut	2	
16	9000001902	Tongue bars	1	
17	9000001463	Handle guard board	1	

Figure 1.3 Parts and components of platform (AWPS4679、AWPS4696)

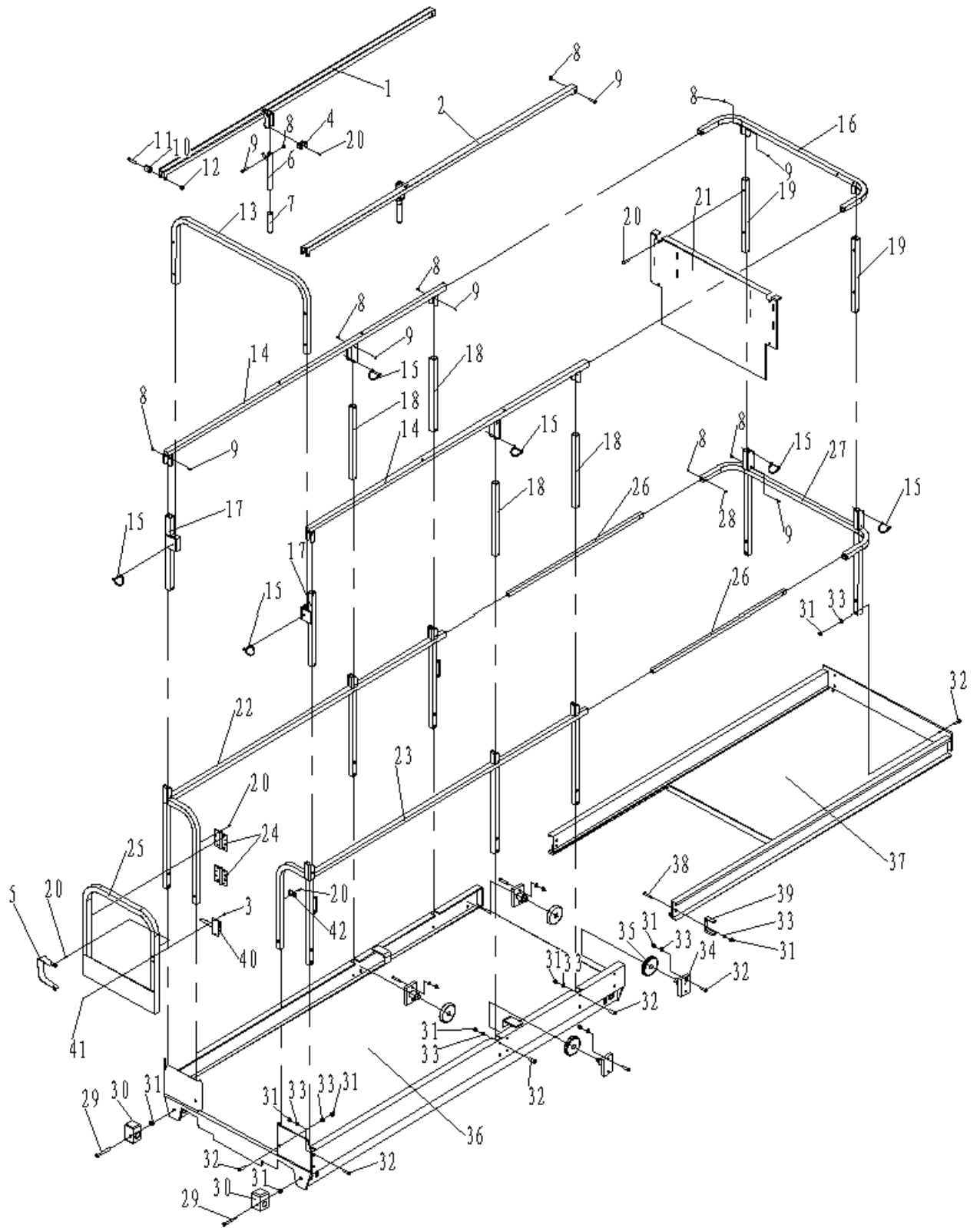


Figure 1.3 Parts and components of platform (AWPS4679、AWPS4696)

No.	Part Number	Name	Quantity	Remarks
1	9000001414	Left-extended steel welding	1	
2	9000001417	Right-extended steel welding	1	
3	0000024104	Locking nut	2	
4	9000001378	Snap	2	
5	9000001463	Handle guard board	1	
6	9000001440	Lever welding	2	
7	9000001443	Rubber sleeve	2	
8	0000024045	Locking nut	22	
9	0090000124	Hex head bolt	20	
10	9000001452	Nylon sleeve	2	
11	0090000146	Hex head bolt	2	
12	0000023081	Locking nut	2	
13	9000001457	Upper edge of door frame	1	
14	9000001406	Upper fence welding	2	
15	9000001444	Components of wire sleeve	6	
16	9000001412	Upper-front fence welding	1	
17	9000001447	Doorframe column welding	2	
18	9000001448	Square tube	4	
19	9000001451	Square tube	2	
20	0090000128	Core pulling rivet	40	
21	9000001458	Hanging plate	1	
22	9000001394	Lower-left fence welding	1	
23	9000001401	Lower-right fence welding	1	
24	9000001459	Spring hinge	2	
25	9000001403	Door frame welding	1	
26	9000001460	Extension rod	2	
27	9000001409	Lower-front fence welding	1	
28	0000023737	Hex head bolt	2	
29	0090000126	Hex head bolt	2	
30	9000001531	Upper axis slider	2	
31	0000024097	Locking nut	30	
32	0090000139	Screw	28	
33	0000025106	Flat washer	26	
34	9000001453	Wheel axle welding	4	
35	9000001443	Nylon wheel	4	

36	9000001379	Platform welding	1	
37	9000001389	Extended platform welding	1	
38	0000023794	Hex head bolt	4	
39	9000001461	U-shaped block	2	
40	9000001901	Door lock	1	
41	0090000163	Screw	2	
42	9000001464	Tongue bars	1	

**Figure 1.4 Parts and components of platform (AWPS4679-G,
AWPS4696-G)**

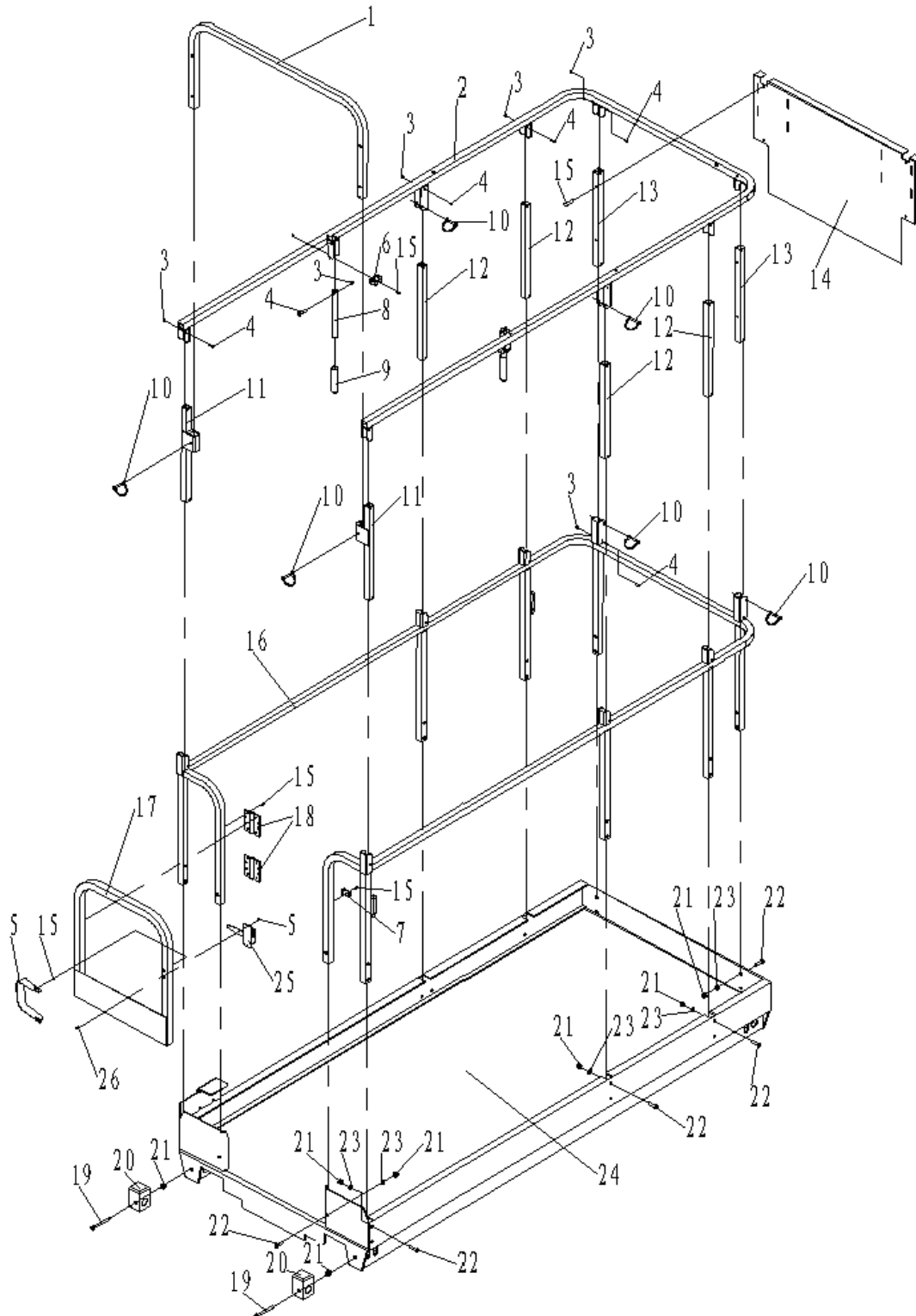


Figure 1.4 Parts and components of platform (AWPS4679-G , AWPS4696-G)

No.	Part Number	Name	Quantity	Remarks
1	9000001457	Upper edge of door frame	1	
2	9000001703	Upper fence welding (fixed)	1	
3	0000024045	Locking nut	18	
4	0090000124	Hex head bolt	18	
5	9000001463	Handle guard board	4	
6	9000001378	Snap	2	
7	9000001464	Tongue bars	1	
8	9000001441	Lever	2	
9	9000001443	Rubber sleeve	2	
10	9000001444	Components of wire sleeve	6	
11	9000001447	Doorframe column welding	2	
12	9000001448	Square tube	4	
13	9000001451	Square tube	2	
14	9000001458	Hanging plate	1	
15	0090000128	Core pulling rivet	40	
16	9000001705	Lower fence welding (fixed)	1	
17	9000001403	Door frame welding	1	
18	9000001459	Spring hinge	2	
19	0090000126	Hex head bolt	2	
20	9000001531	Upper axis slider	2	
21	0000024097	Locking nut	20	
22	0090000139	Screw	18	
23	0000025106	Flat washer	18	
24	9000001699	Platform welding (fixed)	1	
25	9000001901	Baffle lock	1	
26	0090000163	Screw	2	

Figure 2.1 Parts and components of platform (AWPS2356)

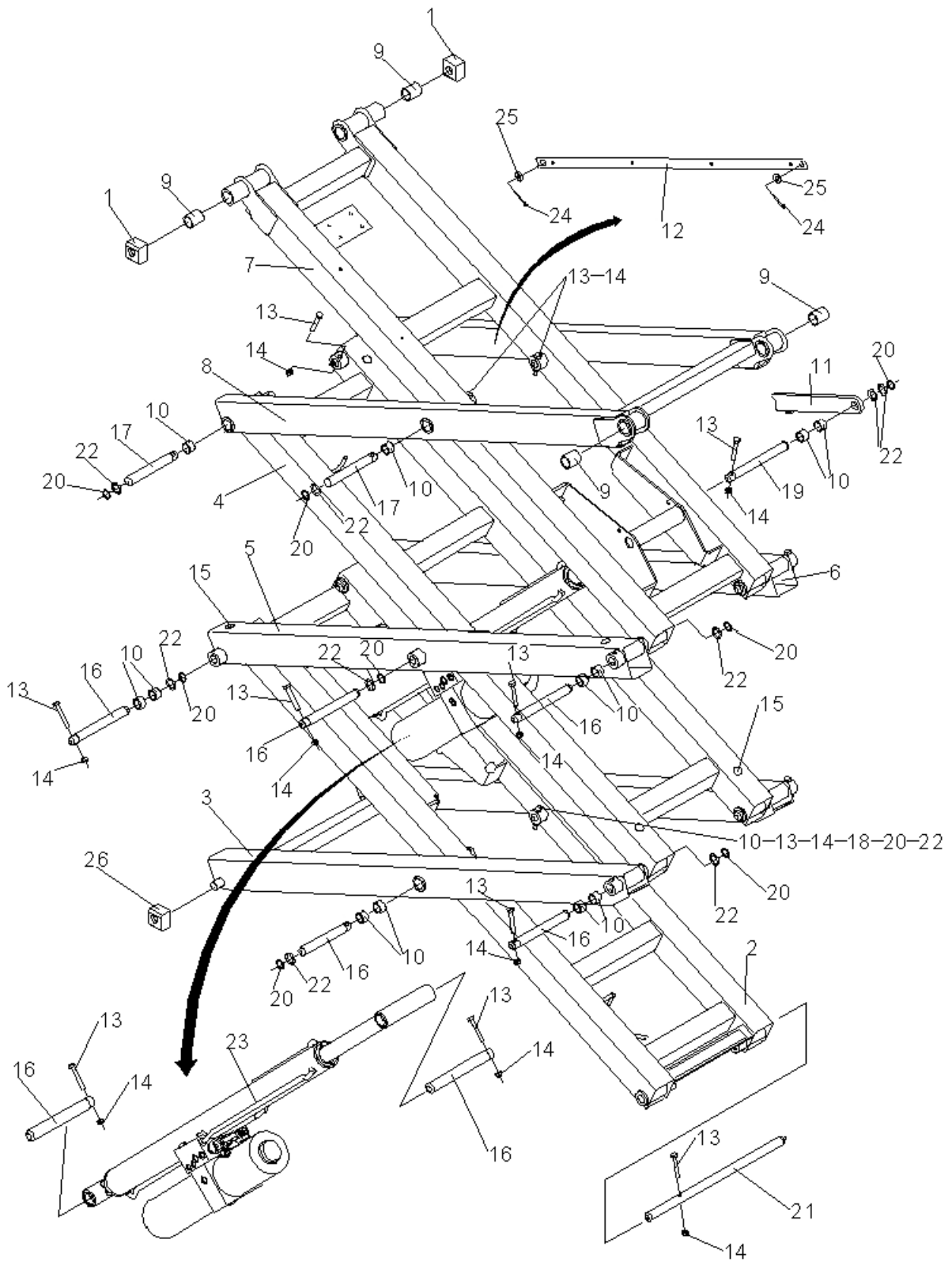


Figure 2.1 Parts and components of platform (AWPS2356)

No.	Part Number	Name	Quantity	Remarks
1	9000001813	Upper axis slider	2	
2	9000001773	Lower inner lifting fork	1	
3	9000001765	Lower outer lifting fork	1	
4	9000001784	Upper second inner lifting fork	1	
5	9000001782	Upper second outer lifting fork	1	
6				
7	9000001786	Lower outer lifting fork	1	
8	9000001793	Upper inner lifting fork	1	
9	9000001533	Compound sleeve	4	
10	0000027006	Compound sleeve	28	
11	9000001812	Supporting plate	1	
12	9000001811	Cable fixing plate	1	
13	0090000004	Hex head bolt	17	
14	0000024003	Locking nut	17	
15	9000001549	Buffer cushion	12	
16	9000001804	Scissor connection axis (a)	10	
17	9000001807	Scissor connection axis (c)	4	
18	9000001806	Scissor connection axis (b)	1	
19	9000001805	Supporting plate axis	1	
20	0000026013	Spring washer	14	
21	9000001809	Long connection axis	1	
22	9000001808	Gasket	14	
23	9000001866	Cylinder components	1	
24	0090000133	Cotter pin	2	
25	0000025106	Gasket	2	
26	9000001810	Lower slider	2	

Figure 2.2 Parts and components of scissors (AWPS4679、AWPS4696)

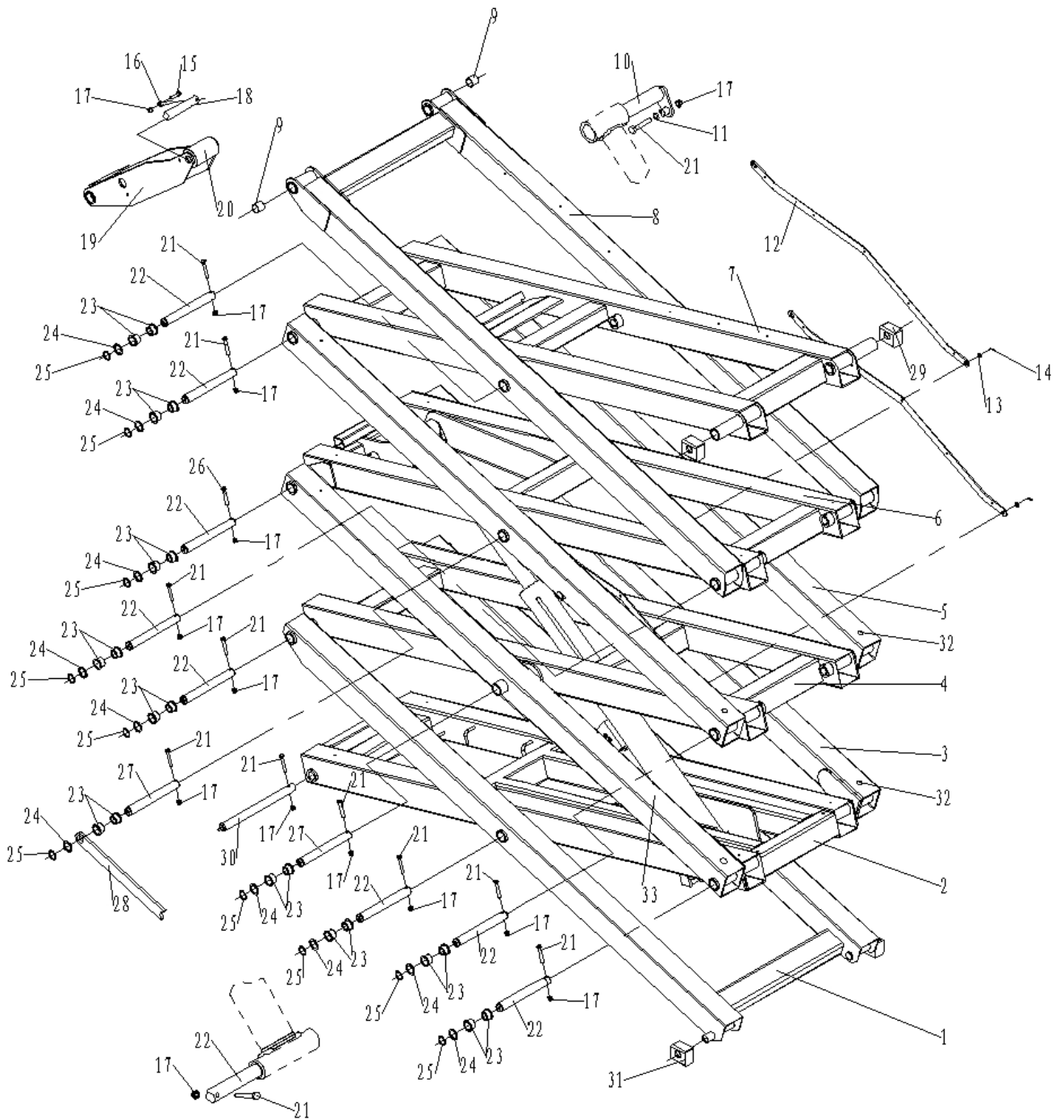


Figure 2.2 Parts and components of scissors (AWPS4679、AWPS4696)

No.	Part Number	Name	Quantity	Remarks
1	9000001466	Lower outer scissor	1	
2	9000001472	Lower inner scissor	1	
3	9000001484	Upper second outer scissor (1)	1	
4	9000001489	Upper second inner scissor	1	
5	9000001494	Upper third outer scissor	1	
6	9000001496	Upper third inner scissor	1	
7	9000001508	Upper inner scissor	1	
8	9000001502	Upper outer scissor	1	
9	9000001533	Compound sleeve	4	
10	9000001536	Cylinder connection shaft	1	
11	0000025002	Gasket	1	
12	9000001545	Cable fixing plate	2	
13	0000025002	Gasket	4	
14	0090000133	Cotter pin	4	
15	0000023658	Hex head bolt	5	
16	9000001535	Retaining pin	1	
17	0000023005	Locking nut	34	
18	9000001534	Top wheel axle	1	
19	9000001514	Supporting arm	1	
20	9000001544	Supporting wheel	1	
21	0090000129	Hex head bolt	25	
22	9000001528	Scissor connection axis	19	
23	9000001529	Compound sleeve	42	
24	9000001530	Gasket	20	
25	0000026042	Spring washer	20	
26	0090000131	Hex head bolt	2	
27	9000001540	Connecting shaft	1	
28	9000001547	Supporting plate	1	
29	9000001531	Upper axis slider	2	
30	9000001543	Long connection axis	1	
31	9000001546	Lower slider	2	
32	9000001549	Buffer cushion	14	
33	9000001488	Upper second outer scissor (2)	1	

Figure 3.1 Parts and components of chassis (AWPS2356)

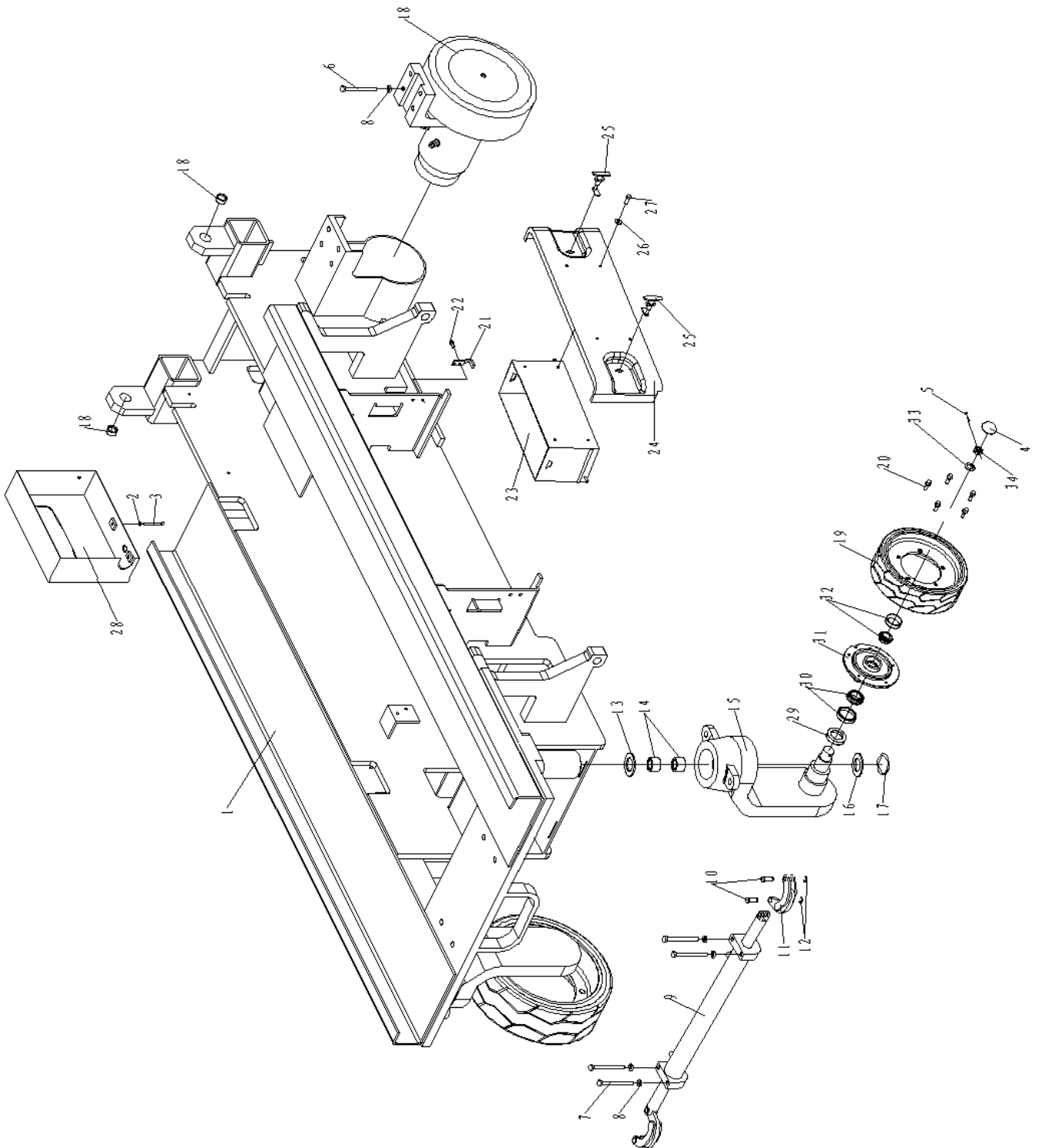


Figure 3.1 Parts and components of chassis (AWPS2356)

No.	Part Number	Name	Quantity	Remarks
1	9000001815	Chassis	1	
2	0000023055	Flat washer	2	
3	0000023053	Screw	3	
4	9000001597	Round-shaped dust-proof cover	4	
5	0000028070	Cotter pin	2	
6	0000023658	Hex head bolt	8	
7	0000023495	Hex head bolt	4	
8	0000025002	Flat washer	12	
9	9000001873	Steering cylinder	1	
10	9000001600	Steering connecting rod pin	4	
11	9000001599	Steering connecting rod	2	
12	0000026079	Open retainer ring	4	
13	9000001589	Thrust washer	2	
14	9000001590	Composite sleeve	4	
15	9000001859	Driving wheel frame	2	
16	9000001591	Gasket	2	
17	0000026069	Spring washer	2	
18	9000001157	traction motor	2	
19	9000001844	Wheel	2	
20	9000001593	Wheel bolt	10	
21	9000001640	Baffle plate	4	
22	0000023040	Screw	4	
23	9000002347	Battery case welding	1	
24	9000001629	Battery cover	1	
25	9000001635	Compression lock	4	
26	0000023055	Flat washer	8	
27	0000023519	screw	8	
28	9000001863	Chassis electrical box cover	1	
29	9000001598	Rotary shaft lip type seals	2	
30	0090000159	Bearing	2	
31	9000001594	Wheel hub connection disk	2	
32	0090000160	Bearing	2	
33	0090000109	Flat washer	4	

34	0090000134	Nut	2	
----	------------	-----	---	--

Figure 3.2 Parts and components of chassis (AWPS4679、AWPS4696)

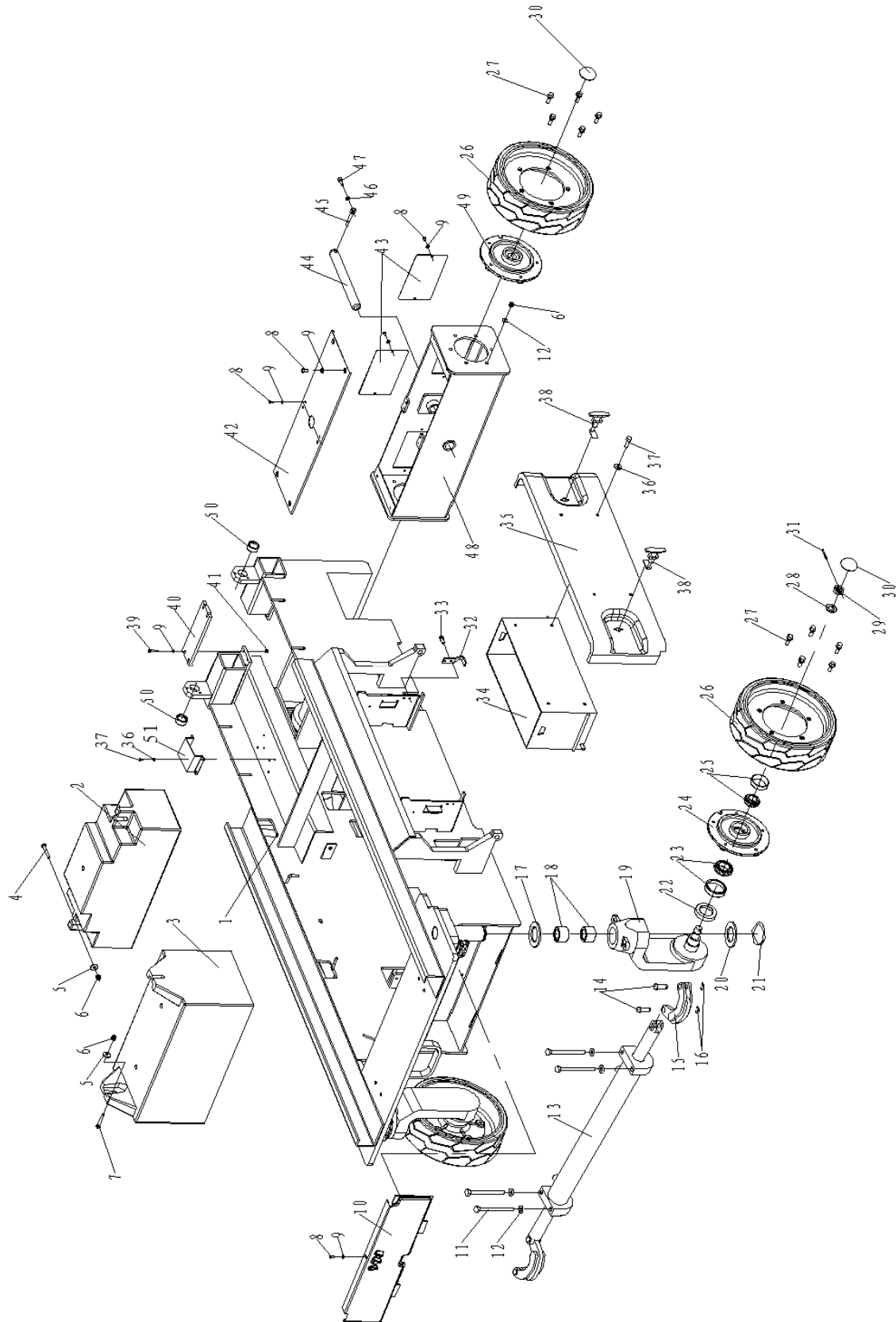


Figure 3.2 Parts and components of chassis (AWPS4679、AWPS4696)

No.	Part Number	Part Name	Quantity	Remarks
1	9000001552	Chassis	1	
2	9000001607	Balance weight	1	
3	9000001606	Balance weight	1	
4	0000023004	Hex head bolt	2	
5	0090000135	Big washer	4	
6	0000023005	Locking nut	16	
7	0000023374	Hex head bolt	2	
8	0000023862	Pan head screw	11	
9	0000023055	Flat washer	15	
10	9000001601	Cover plate	1	
11	0000023495	Hex head bolt	4	
12	0000025106	Flat washer	14	
13	9000001686	Steering cylinder	1	See Figure 6
14	9000001600	Steering connecting rod pin	4	
15	9000001599	Steering connecting rod	2	
16	0000026079	Open retainer ring 9	4	
17	9000001589	Thrust washer	2	
18	9000001590	Compound sleeve	4	
19	9000001586	Steering wheel seat	2	
20	9000001591	Gasket	2	
21	0000026069	Spring washer	2	
22	9000001598	Bearing dust-proof ring	2	
23	0090000159	Bearing	2	
24	9000001594	Rim connection disk	2	
25	0090000160	Bearing	2	
26	9000001592	Wheel	4	
27	9000001593	Wheel bolt	20	
28	0090000109	Flat washer	4	
29	0090000134	Nut	2	
30	9000001597	Round-shaped dust-proof cover	4	
31	0000028070	Cotter pin	2	
32	9000001640	Baffle plate	4	
33	0000023040	Screw	4	

34	9000001630	Battery case welding	1	
35	9000001629	Battery hood	1	
36	0000023055	Flat washer	12	
37	0000023519	Pan head screw	12	
38	9000001635	Compression lock	4	
39	0090000132	Hex head bolt	4	
40	9000001617	Connecting plate	1	
41	0000024045	Locking nut	4	
42	9000001626	Drive axle cover	2	
43	9000001627	Drive axle cover	2	
44	9000001625	Drive axle connecting shaft	1	
45	9000001535	Retaining pin	1	
46	0000023526	Screw	1	
47	0000025065	Spring washer 10	1	
48	9000001618	Drive axle	1	
49	9000001595	Rim connection disk	2	
50	9000001637	Compound set	2	
51	9000001648	shields	1	

Figure 3.3 Side supporting device (AWPS2356)

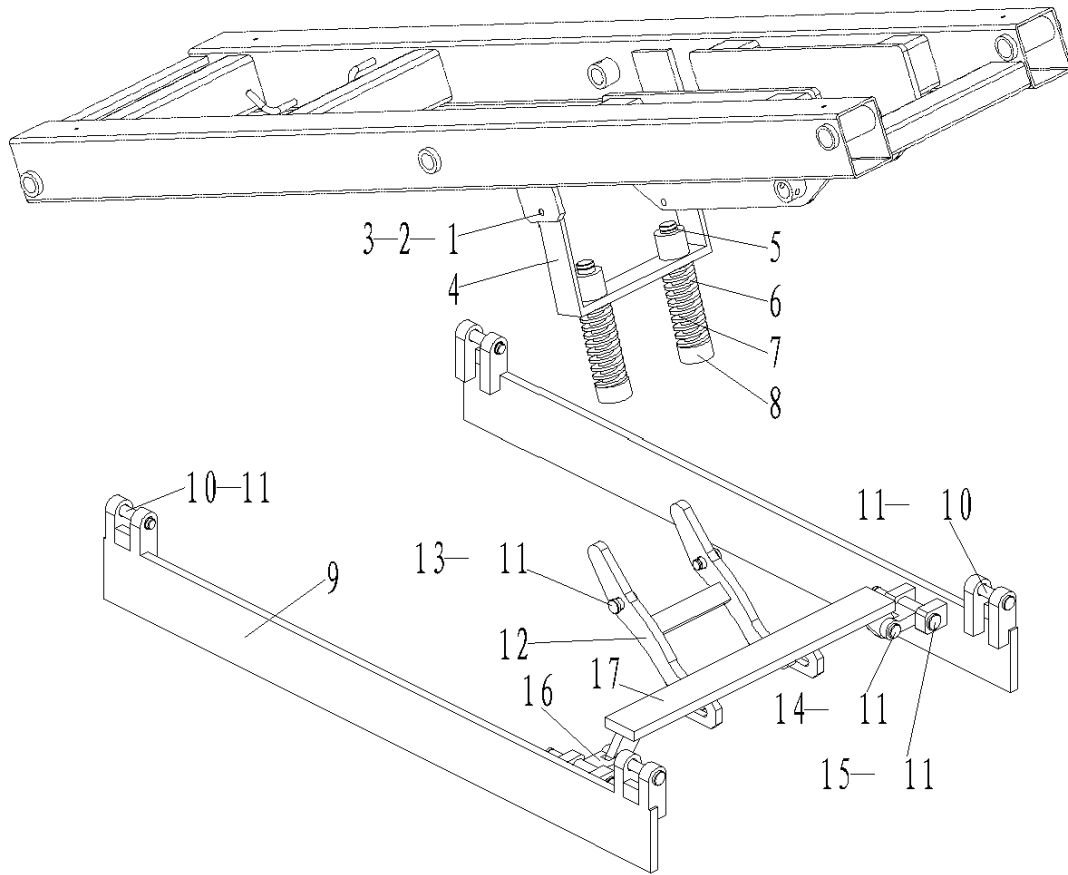


Figure 3.3 Side supporting device (AWPS2356)

No.	Part Number	Name	Quantity	Remarks
1	0000023658	Hex head bolt	4	
2	0000023005	Locking nut	4	
3	0000025106	Gasket	4	
4	9000001800	Bracket	1	
5	0000026013	Spring washer	2	
6	9000001526	Spring	2	
7	9000001525	Steering rod	2	
8	9000001527	Top sleeve	2	
9	9000001860	Side supporting plate welding	2	
10	9000001613	Pin roll of supporting plate	4	
11	0000026013	Spring washer	12	
12	9000001851	Rocker	1	
13	9000001857	Pin roll of connecting plate	2	
14	9000001616	Swinging block axis	2	
15	9000001858	Pin roll of connecting rod	4	
16	9000001859	Side supporting rod	2	
17	9000001847	Connecting plate for lifting	1	

Figure 3.4 Side supporting device (AWPS4679、AWPS4696)

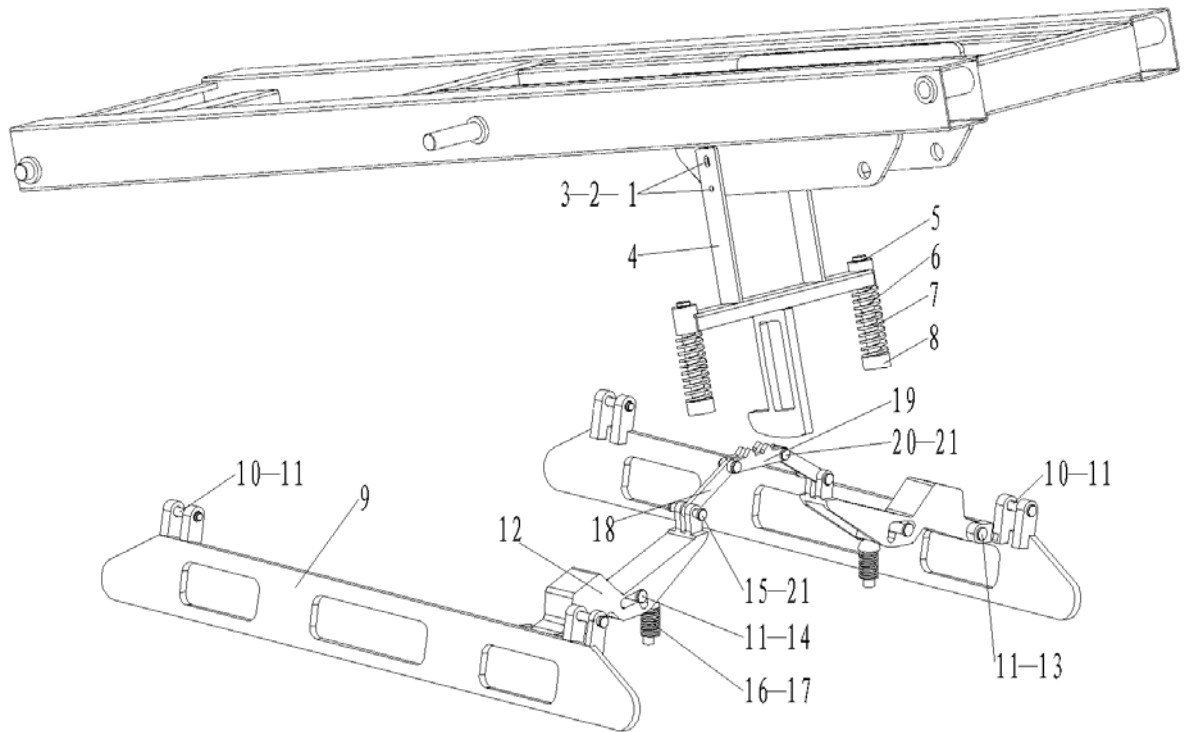


Figure 3.4 Side supporting device (AWPS4679、AWPS4696)

No.	Part Number	Name	Quantity	Remarks
1	0000023658	Hex head bolt	4	
2	0000023005	Locking nut	4	
3	0000025106	Gasket	4	
4	9000001520	Bracket	1	
5	0000026013	Spring washer	2	
6	9000001526	Spring	2	
7	9000001525	Steering rod	2	
8	9000001527	Top sleeve	2	
9	9000001608	Side supporting plate welding	2	
10	9000001613	Pin roll of supporting plate	4	
11	0000026013	Spring washer	12	
12	9000001615	Swing block	2	
13	9000001614	Pin roll of connecting rod	2	
14	9000001616	Swinging block axis	2	
15	9000001643	Pin roll	2	
16	9000001646	Spring	2	
17	9000001647	Top axis	2	
18	9000001644	Connecting rod	2	
19	9000001645	Connecting rod	4	
20	9000001643	Pin roll	2	
21	0000026019	Spring washer	4	

Figure 4. Steering cylinder

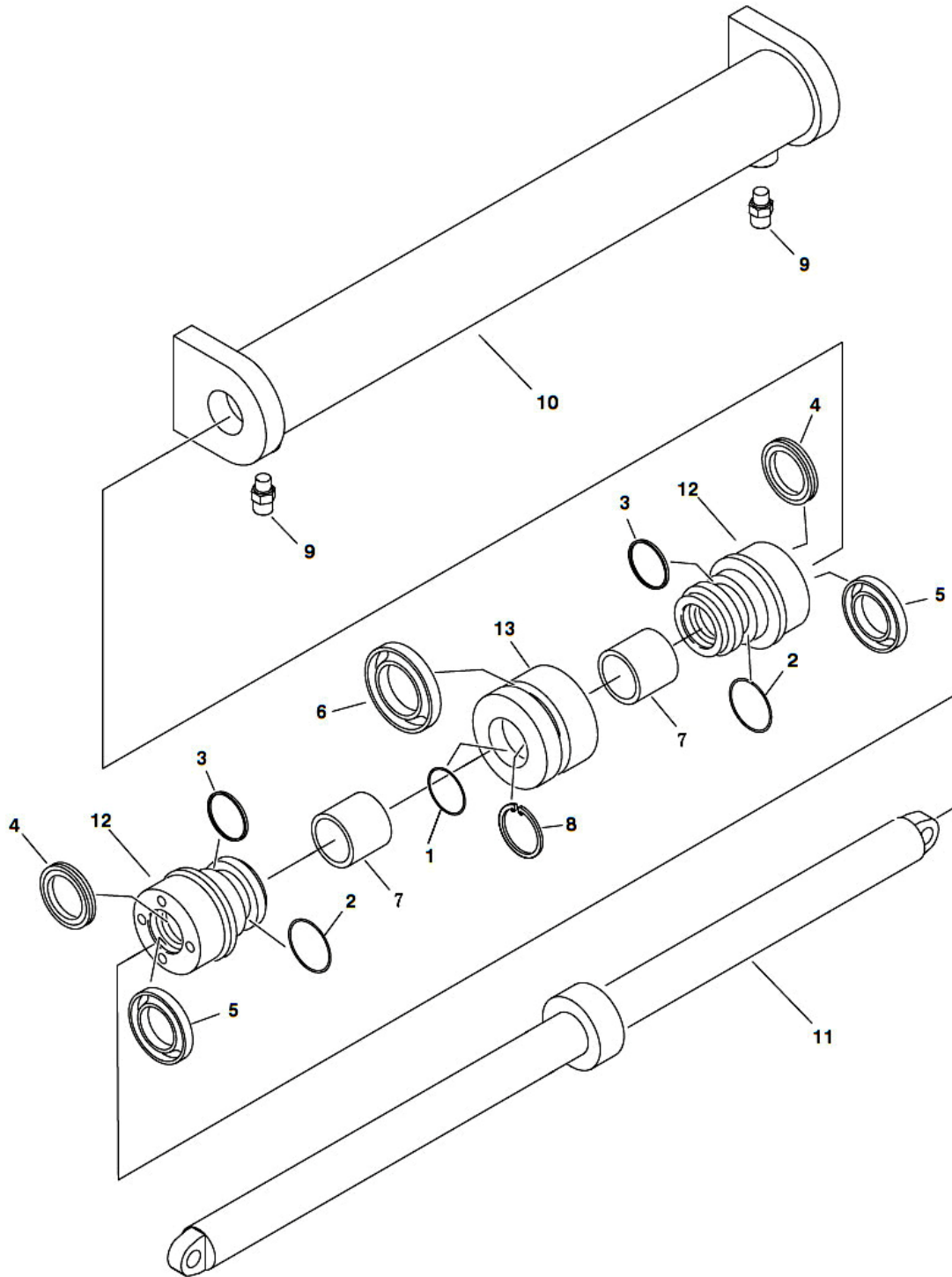


Figure 4. Steering cylinder

No.	Part Number	Part Name	Quantity	Remarks
1	9000001366	O-shaped ring	2	
2	9000001363	O-shaped ring	2	
3	9000001364	Retainer ring	2	
4	9000001362	Seal ring for rod	2	
5	9000001361	Dust-proof ring	2	
6	9000001365	Seal ring for hole	1	
7	9000001688	Stopping tube	2	AWPS4679
	9000001874			AWPS2356
8	9000001367	Retainer ring for shaft	1	
9	9000001673	Oil tube connector	2	
10	9000001691	Cylinder	1	AWPS4679
	9000001876			AWPS2356
11	9000001689	Piston rod	1	AWPS4679
	9000001875			AWPS2356
12	9000001687	Steering tube	2	
13	9000001690	Piston	1	

Figure 5.1 Lifting cylinder (AWPS2356)

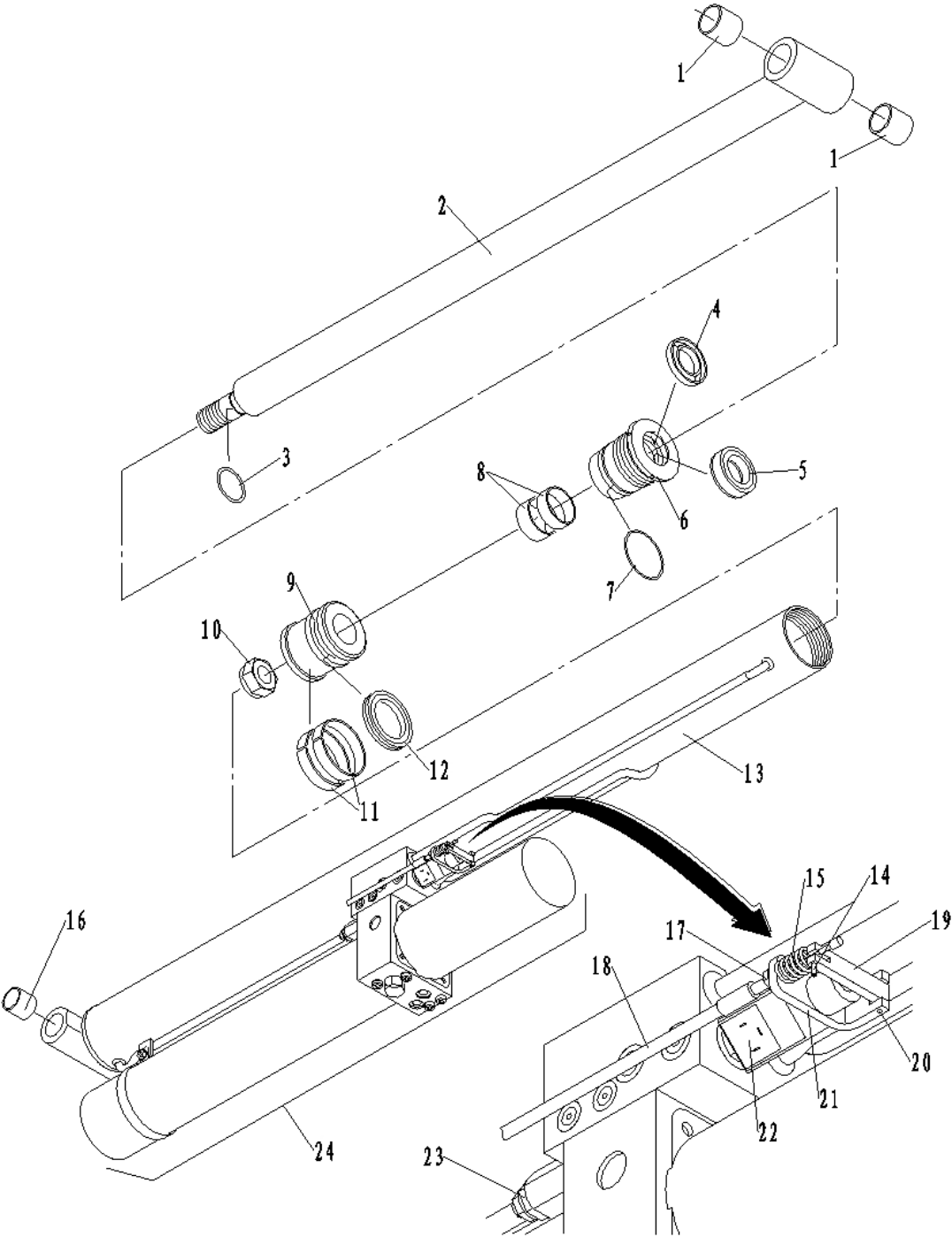


Figure 5.1 Lifting cylinder (AWPS2356)

No.	Part Number	Name	Quantity	Remarks
1	0000027006	Compound sleeve	2	
2	9000001868	Piston rod	1	
3	0000022099	O-shaped ring	1	
4	9000001371	Dust-proof ring	1	
5	9000001370	Y-shaped ring for axis	1	
6	9000001869	Nut cap	1	
7	9000001368	O-shaped ring	1	
8	9000001369	Guide ring	2	
9	9000001870	Piston	1	
10	0090000110	Hexagon nut	1	
11	9000001372	Piston support ring	2	
12	9000001373	Seal ring for hole	1	
13	9000001867	Cylinder body	1	
14	0090000155	Elastic cylindrical pin	1	
15	9000001681	Spring	1	
16	0000027006	Compound sleeve	2	
17	0000024099	Hexagon nut	1	
18	9000001678	Pull string	1	
19	9000001680	Pendulum	1	
20	0000028160	Elastic cylindrical pin	1	
21	9000001679	Pendulum holder	1	
22	9000001670	Lowering solenoid valve	1	
23	9000001672	Balancing valve of steering cylinder	1	
24	9000002218	Pump station	1	See Figure 6

Figure 5.2 Lifting cylinder (AWPS4679, AWPS4696)

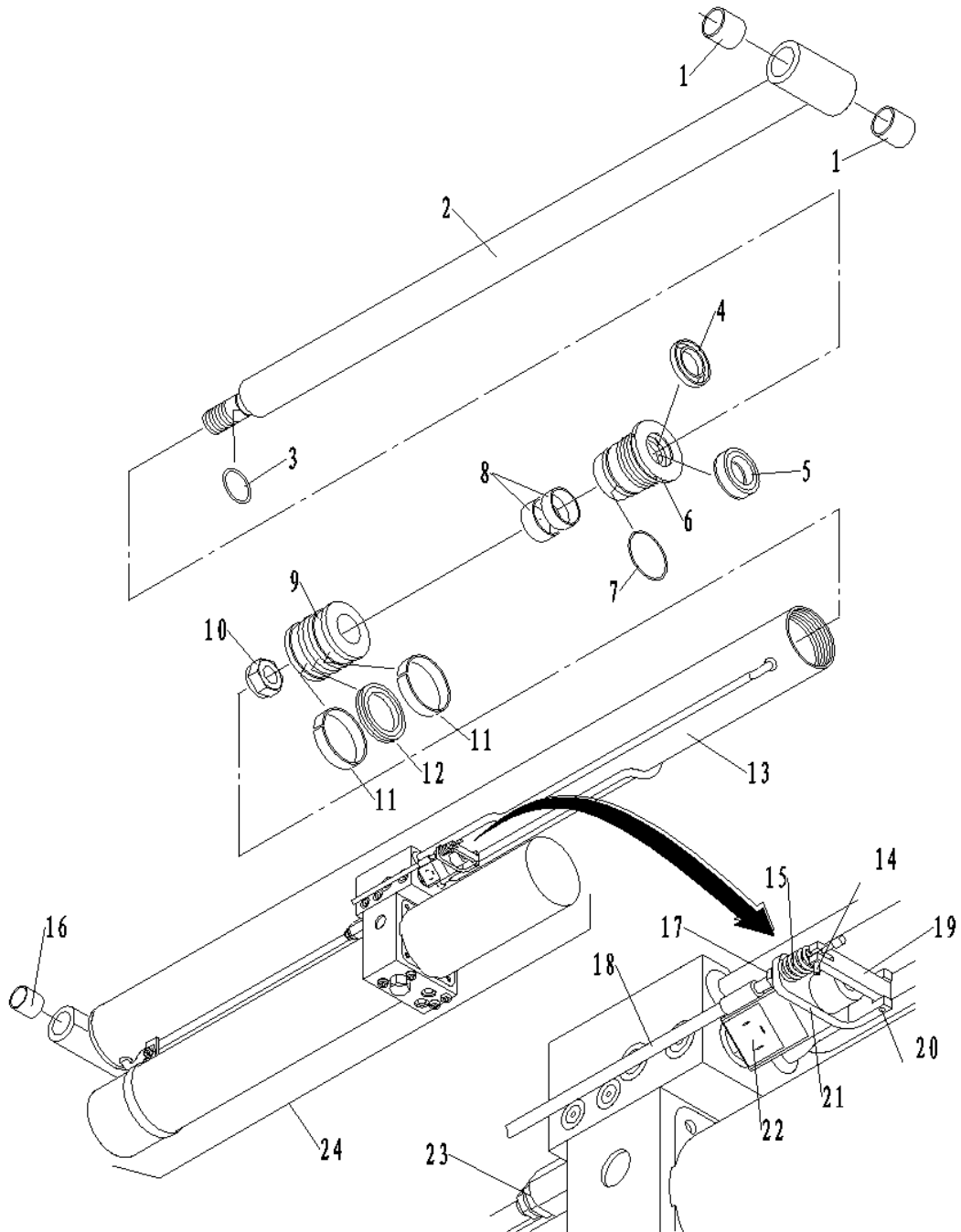


Figure 5.2 Lifting cylinder (AWPS4679、AWPS4696)

No.	Part Number	Name	Quantity	Remarks
1	9000001664	Compound sleeve	2	
2	9000001662	Piston rod	1	
3	0000022040	O-shaped ring	1	
4	9000001358	Dust-proof ring	1	
5	9000001357	Y-shaped ring for axis	1	
6	9000001663	Cap nut	1	
7	9000001355	O-shaped ring	1	
8	9000001356	Guide ring	2	
9	9000001665	Piston	1	
10	0090000149	Hexagon nut	1	
11	9000001359	Piston support ring	2	
12	9000001360	Seal ring for hole	1	
13	9000001661	Cylinder body	1	
14	0090000155	Elastic cylindrical pin	1	
15	9000001681	Spring	1	
16	0000027006	Compound sleeve	2	
17	0000024099	Hexagon nut	1	
18	9000001678	Pull string	1	
19	9000001680	Pendulum	1	
20	0000028160	Elastic cylindrical pin	1	
21	9000001679	Pendulum holder	1	
22	9000001670	Lowering solenoid valve	1	
23	9000001672	Balancing valve of steering cylinder	1	
24	9000001692	Pump station (AWPS4696)	1	See Figure 6
	9000002217	Pump station (AWPS4679)		

Figure 6 Parts and components of pump station

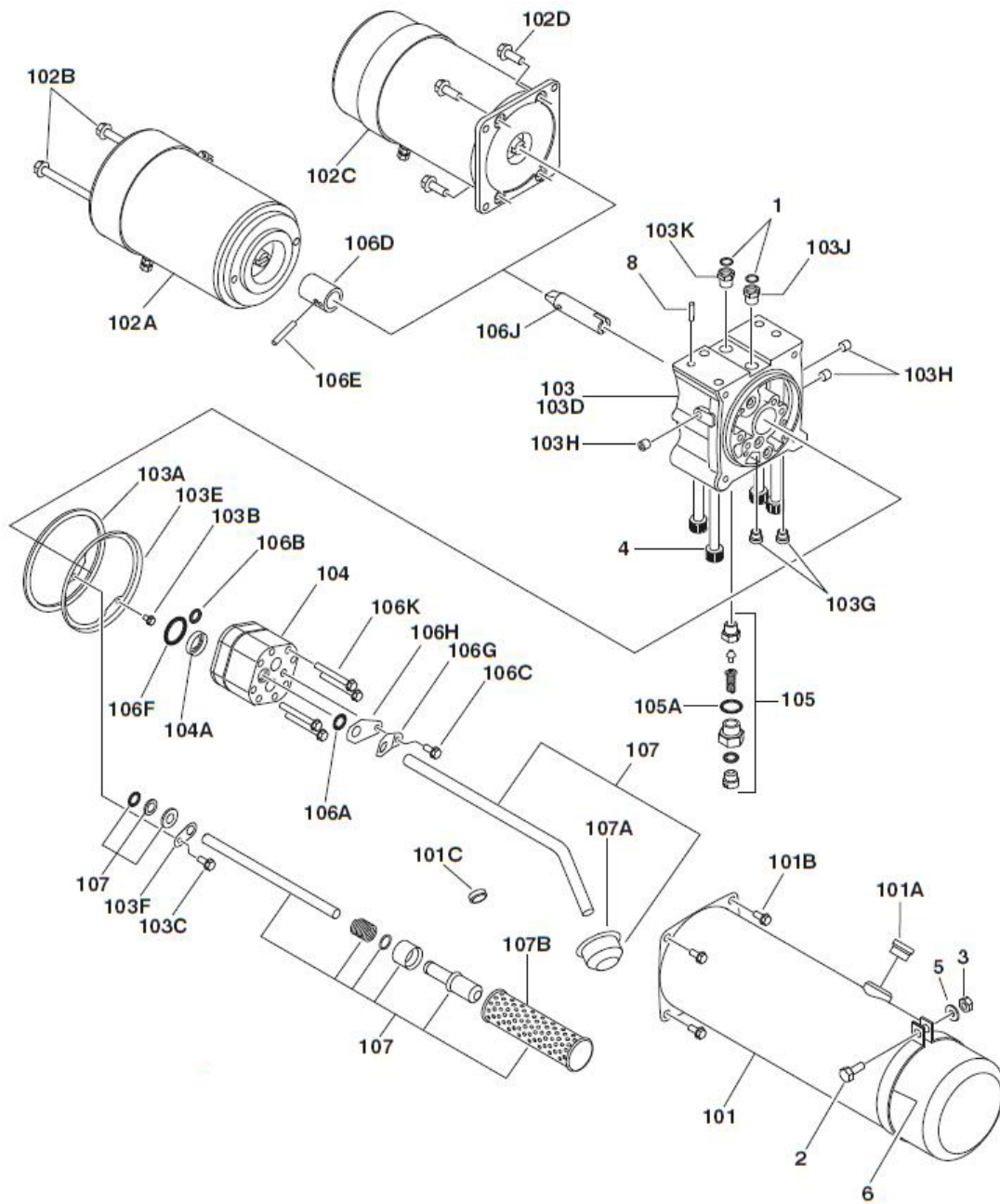


Figure 6 Parts and components of pump station

No.	Part Number	Name	Quantity	Remarks
1	9000002219	O-shaped ring	2	
2	9000002220	Bolt	1	
3	9000002221	Lock nut	1	
4	9000002222	Bolt	4	
5	9000002223	Gasket	2	
6	9000002224	Hoop	1	
101	9000002225	Cylinder	1	AWPS4696
	9000002226			AWPS4679
	9000002226			AWPS2356
101A	9000002227	Refuelling plug	1	
101B	9000002228	Bolt	4	
101C	9000002229	Magnet	1	
102A	9000002230	Motor	1	AWPS4696
	9000002230			AWPS4679
	9000002231			AWPS2356
102B	9000002232	Bolt	2	
102C	9000002233	Motor	1	
102D	9000002234	Bolt	4	
103	9000002235	Valve body	1	
103A	9000002236	O-shaped ring	1	
103B	9000002237	Bolt	1	
103C	9000002238	Bolt	1	
103D	9000002239	Adapter	1	
103E	9000002240	Seal ring	1	
103F	9000002241	Stopper	1	
103G	9000002242	Screw plug	1	
103H	9000002243	Screw plug	1	
103J	9000002244	Ventilation valve	1	
103K	9000002245	Ventilation valve	1	

104	9000002246	Gear pump	1	
104A	9000002247	Seal ring	1	
105	9000002248	Components of safety valve	1	
105A	9000002249	Seal ring	1	
106	9000002250	Power box	1	
106A	9000002251	Seal ring	1	
106B	9000002252	Seal ring	1	
106C	9000002253	Bolt	1	
106D	9000002254	Sleeve	1	
106E	9000002255	Spring pin	1	
106F	9000002256	Seal ring	1	
106G	9000002257	Locking tab	1	
106H	9000002258	Stopper	1	
106J	9000002259	Coupling	1	
106K	9000002260	Bolt	1	
107	9000002261	Oil tube	1	
107A	9000002262	Filter	1	
107B	9000002263	Filter core	1	

Figure 7.1 Electrical parts (AWPS2356)

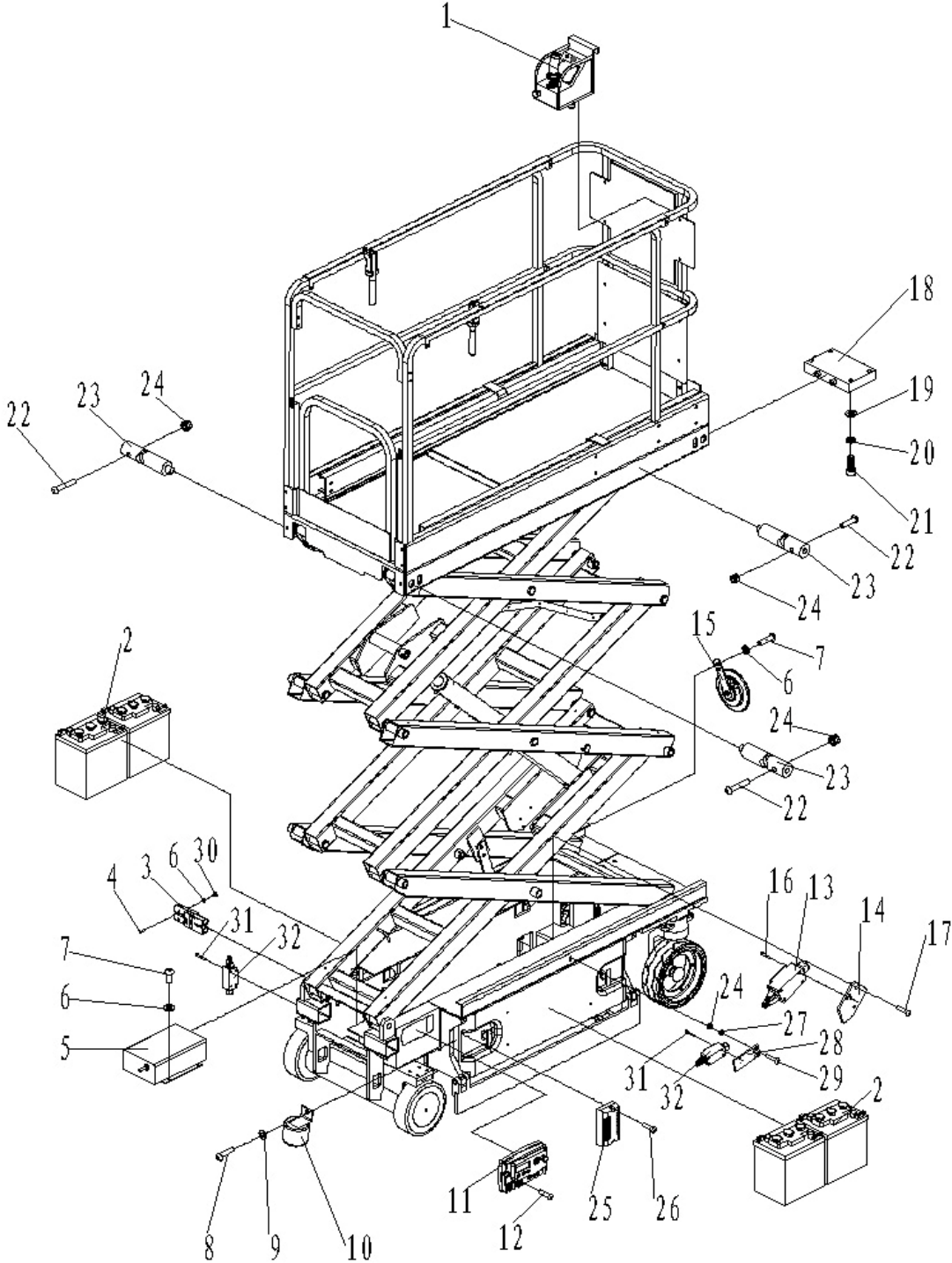


Figure 7.1 Electrical parts (AWPS2356)

No.	Part Number	Name	Quantity	Remarks
1	9000001751	platform electrical box	1	
2	9000001636	Battery	4	
3	1020434006	Socket connector	2	
4	0000023090	Screw	2	
5	9000001639	Charger	1	
6	0000023055	Flat washer	6	
7	0000023053	Screw	5	
8	0000023042	Screw	1	
9	0000023055	Flat washer	1	
10	3002434013	Reversing	1	
11	9000001846	ACCESS Controller	1	
12	0000023688	Screw	2	
13	9000001856	Safety limit switch	2	
14	9000001638	Switch holder	2	
15	1000434015	Horn	1	
16	0090000241	Screw	2	
17	0000023020	Screw	2	
18	9000002340	Weighing transmitter	1	
19	0000025019	Flat washer	4	
20	0000025018	Spring washer	4	
21	0000023538	Pan head screw	4	
22	0000023904	Hex head bolt	4	
23	9000001532	Weighing sensor	4	
24	0000023005	Locking nut	4	
25	9000002341	Driver module ACCESS	1	
26	0000023315	Screw	2	
27	0000025002	Flat washer	2	
28	9000002344	Limit switch fixed plate	1	
29	0090000242	Screw	2	

30	0000024045	Locking nut	2	
31	0090000241	Screw	2	
32	9000002342	Limit switch	1	

Figure 7.2 Electrical parts (AWPS4679、AWPS4696)

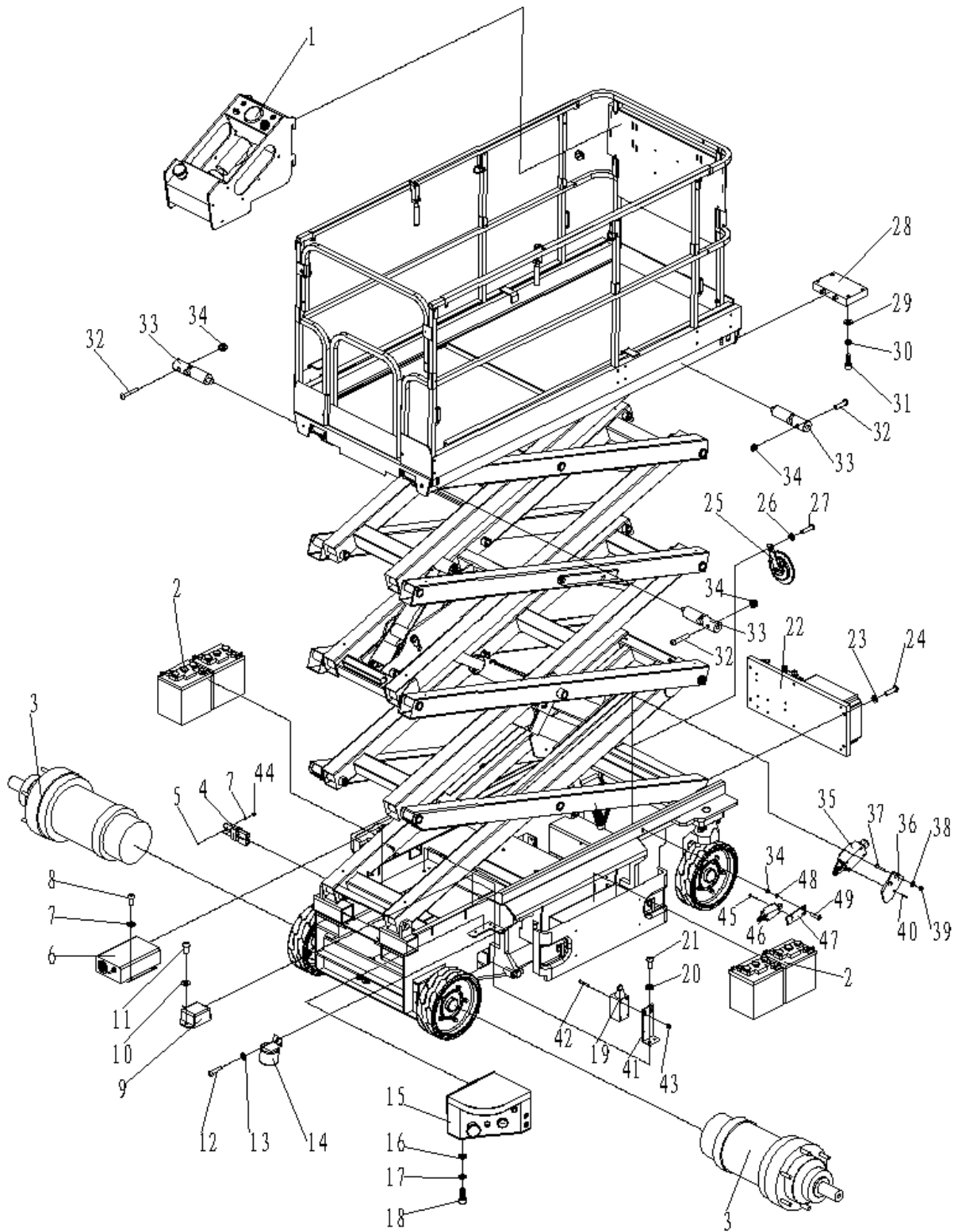


Figure 7.2 Electrical parts (AWPS4679、AWPS4696)

No.	Part Number	Name	Quantity	Remarks
1	9000001418	platform electrical box	1	
2	9000001636	Battery	4	
3	9000001158	Geared Motor	2	
4	1020434006	Socket connector	2	
5	0000023090	Hexagon	2	
6	9000001639	Charger	1	
7	0000023055	Flat washer	4	
8	0000023040	Screw	4	
9	9000002343	Tilt sensor	1	
10	0000025014	Flat washer	2	
11	0000023076	Screw	2	
12	0000023042	Screw	1	
13	0000023055	Flat washer	1	
14	3002434013	Reversing buzzer	1	
15	9000001651	chassis electrical operation box	1	
16	0000025010	Spring washer	3	
17	0000023055	Flat washer	3	
18	0000023020	Screw	3	
19	9000002342	Limit switch	1	
20	0000025019	Flat washer	2	
21	0000023307	Pan head screw	2	
22	9000001602	Electrical installation board	1	
23	0000023055	Flat washer	4	
24	0000023030	Screw	4	
25	1000434015	Horn	1	
26	0000023055	Flat washer	1	
27	0000023040	Screw	1	
28	9000002340	Weighing transmitter	1	
29	0000025019	Flat washer 4	4	
30	0000025018	Spring washer 4	4	

31	0000023538	Pan head screw	4	
32	0090000131	Hex head bolt	4	
33	9000001532	Weighing sensor	4	
34	0000023005	Locking nut	4	
35	9000001856	Safety limit switch	2	
36	9000001638	Switch seat	2	
37	0000023090	Screw	4	
38	0000023055	Flat washer	4	
39	0000024045	Nut	4	
40	0090000241	Screw	4	
41	9000001649	Fixed board	1	
42	0000023041	Pan head screw	2	
43	0000024004	Locking nut	2	
44	0000024045	Locking nut	2	
45	0090000241	Screw	2	
46	9000002342	Limit switch	1	
47	9000002344	Fixed plate	1	
48	0000025002	Flat washer	2	
49	0090000242	Screw	2	

Figure 7.3 Platform electrical box (AWPS2356)

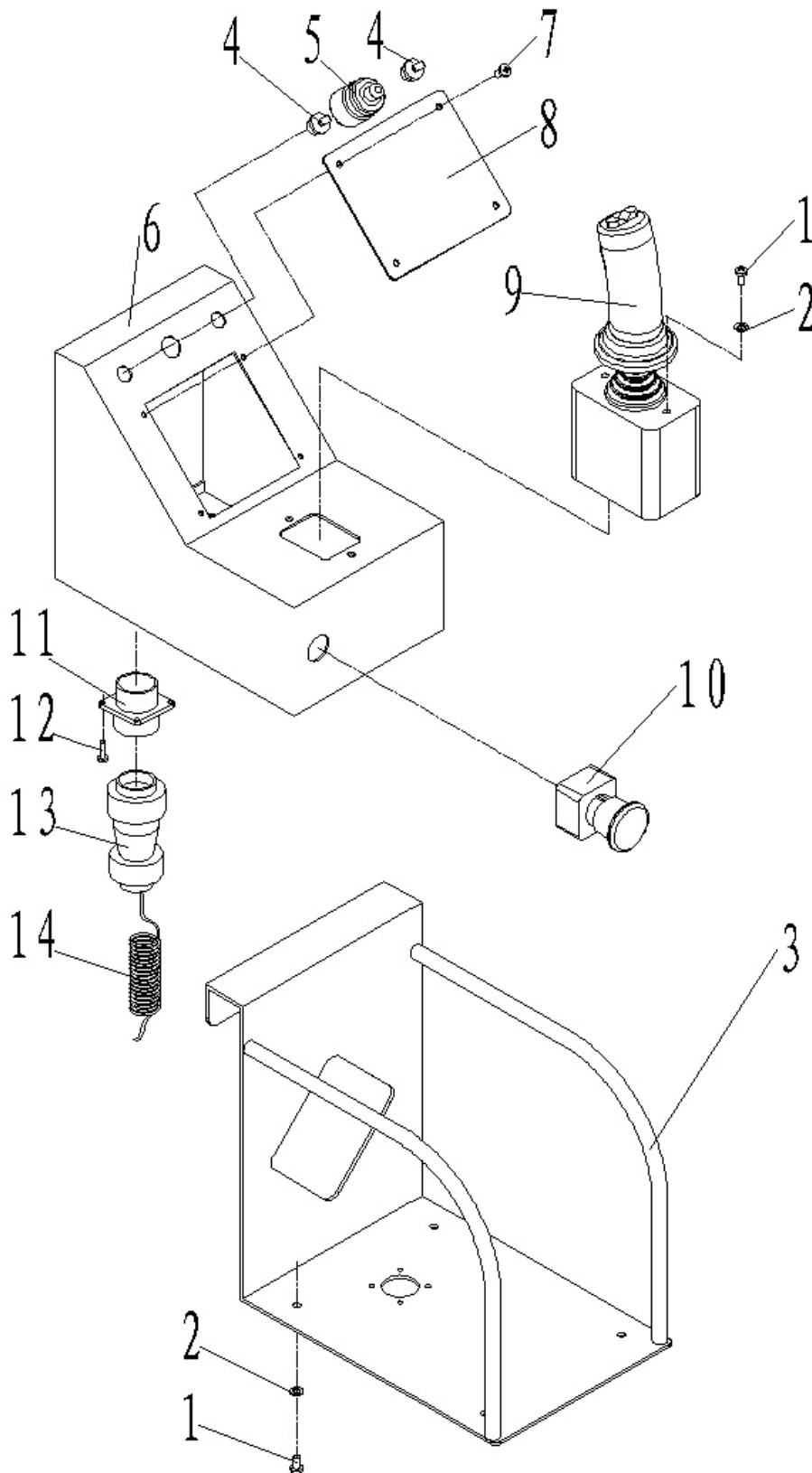


Figure 7.3 Platform electrical box (AWPS2356)

No.	Part Number	Name	Quantity	Remarks
1	0000023516	Pan head screw	6	
2	0000025014	class flat washer	6	
3	9000001758	Welding of hanging plat	1	
4	9000001432	Button switch	2	
5	9000001431	Button switch	1	
6	9000001752	platform electrical box	1	
7	0000023071	Pan head screw	4	
8	9000001761	JIM display board	1	
9	9000001429	Operational lever	1	
10	1010434024	Emergency stop switch	1	
11	9000001433	Outlet	1	
12	0000023573	Pan head screw	4	
13	9000001434	Plug	1	
14	9000001762	Spring line	1	

Figure 7.4 Platform electrical box (AWPS4679、AWPS4696)

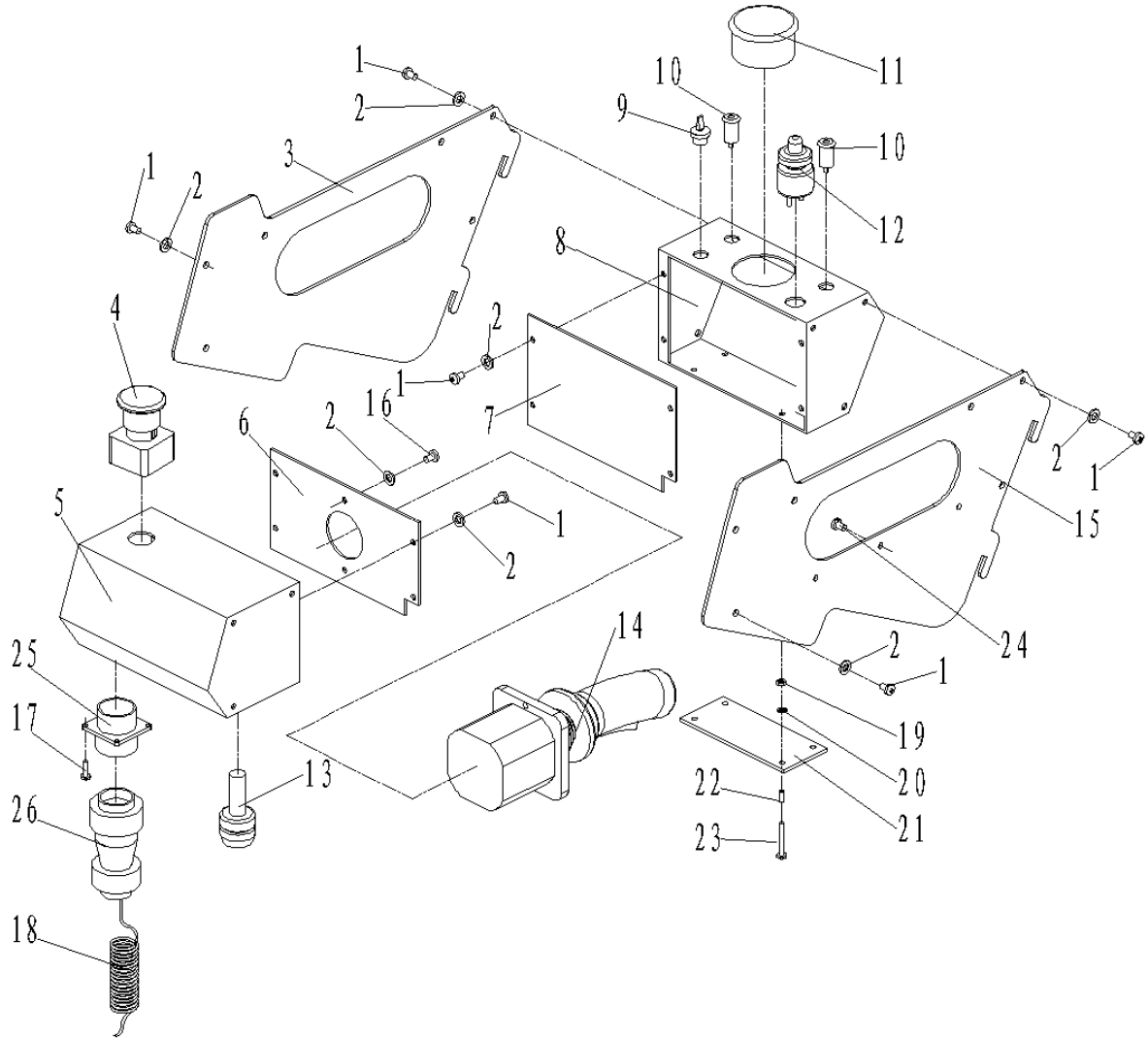


Figure 7.4 Platform electrical box (AWPS4696)

No.	Part Number	Name	Quantity	Remarks
1	0000023534	Pan head screw	20	
2	0000023032	Flat washer	22	
3	9000001419	Left plate	1	
4	1010434024	Emergency stop switch	1	
5	9000001421	Welding of the rear box	1	
6	9000001437	Lever cover	1	
7	9000001438	Front cover plate	1	
8	9000001425	Welding of the front box	1	
9	9000001432	Button switch	1	
10	9000001430	Metal lamp	2	
11	9000000760	Instrument	1	
12	9000001431	Button switch	1	
13	9000001435	Buzzer	1	
14	9000001429	Operation lever	1	
15	9000001420	Right plate	1	
16	0000023574	Pan head screw	2	
17	0000023573	Pan head screw	4	
18	9000001436	Spring line	1	
19	0000024017	Hexagon nut	4	
20	0000025009	Elastic cushion	4	
21	9000001439	Logic board	1	
22	2240403001	White column	4	
23	0000023538	Pan head screw	4	
24	0000023716	Pan head screw	3	
25	9000001433	Outlet	1	
26	9000001434	Plug	1	

Figure 7.5 Chassis electrical box (AWPS4679、AWPS4696)

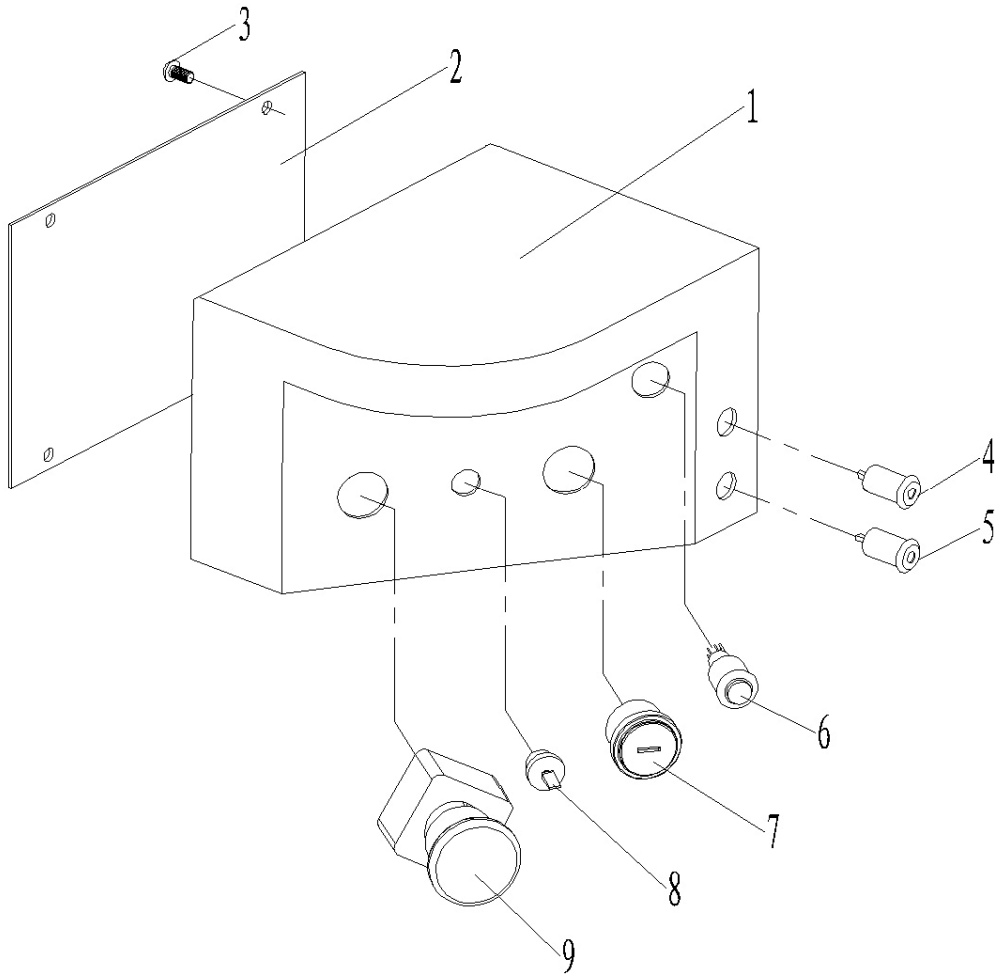


Figure 7.5 Chassis electrical box (AWPS4679、AWPS4696)

No.	Part Number	Name	Quantity	Remarks
1	9000001651	chassis electrical operation box	1	
2	9000001660	Rear cover plate	1	
3	0090000041	Screw	4	
4	9000001430	Metal lamp	1	
5	9000001430	Metal lamp	1	
6	1070334006	Button switch	1	
7	9000001659	Key switch	1	
8	9000001658	Button switch	1	
9	1010434024	Emergency stop switch	1	

Figure 7.6 Components of aluminium plate

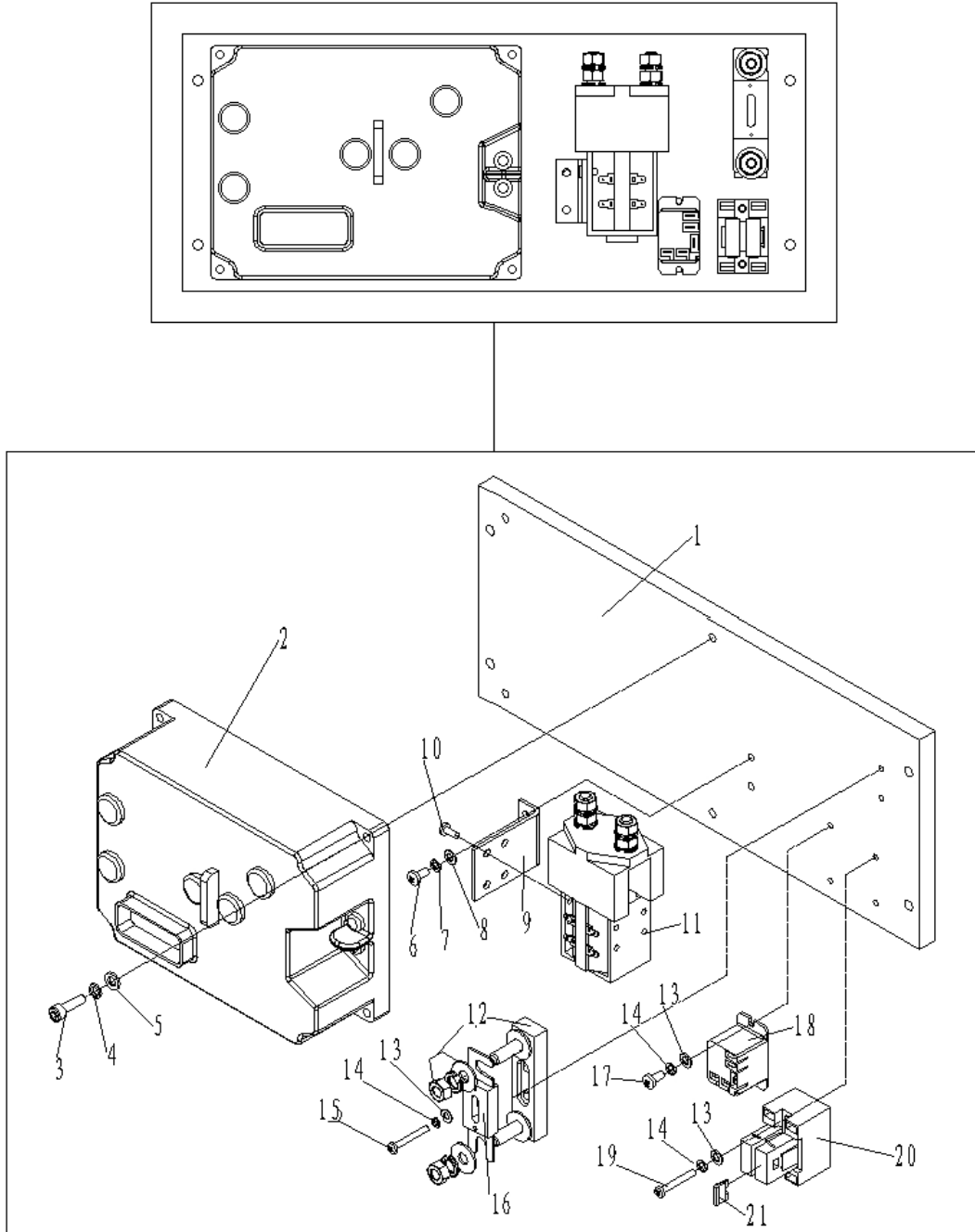


Figure 7.6 Components of aluminium plate

No.	Part Number	Name	Quantity	Remarks
1	9000001604	Electrical installation board	1	
2	9000001603	Controller	1	
3	0000023020	Hexagon	4	
4	0000025010	Elastic pad	4	
5	0000023055	Flat pad	4	
6	0000023076	Pan head screw	2	
7	0000025015	Elastic pad	2	
8	0000025014	Flat pad	2	
9	9000001605	Contactormounting plate	1	
10	0000023716	Pan head screw	4	
11	2390434003	Contactormounting plate	1	
12	1000434007	Fuse holder	1	
13	0000025008	Flat pad	6	
14	0000025009	Elastic pad	6	
15	0000023211	Pan head screw	2	
16	1020434001	Bolted fuse	1	
17	0000023016	Pan head screw	2	
18	1000434036	Relay	1	
19	0000023019	Pan head screw	2	
20	1000434009	Two-position fuse seat designed for automobile	1	
21	1000434040	Blade fuse	2	